



FARM & FAMILY CENTER

FARM SHOW SPECIALS

Hurry!

Sale prices good only through

Saturday, Jan. 12, 1980



329⁹⁵

Plus Freight

Reg. 419.95 / SAVE 90.00
28900-250

Model 165 Box

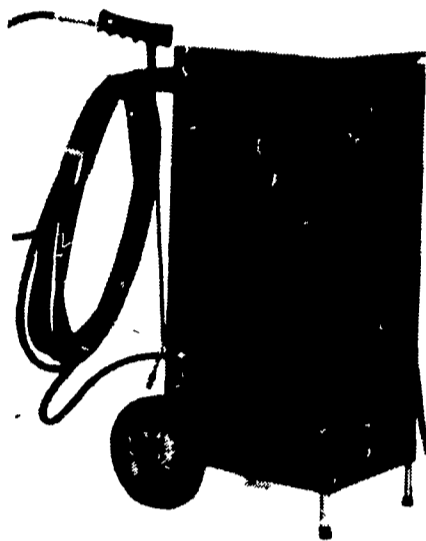
449⁹⁵

Plus Freight

Reg. 549.95 / SAVE 100.00
28901-250

Model 225
Gravity Box

Ends sides and bottom are made of 14 gauge prime steel, super structure made of formed steel plate. Wagon and tires not included. Model 225 not stocked at all locations.

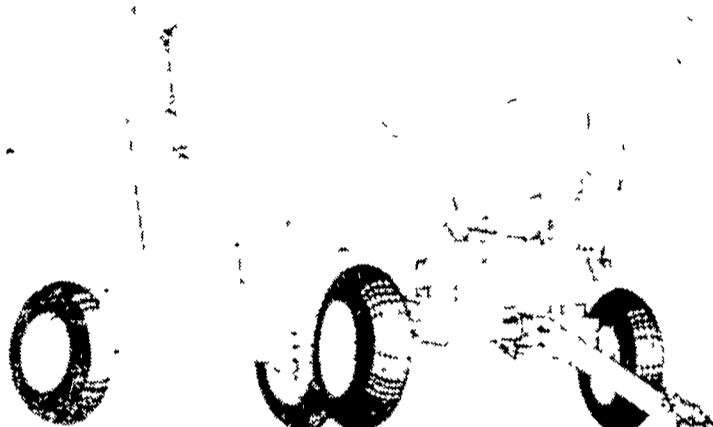


279⁹⁹

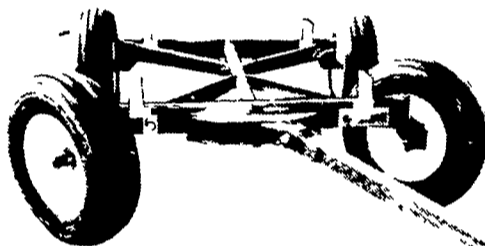
Reg. 309.99 / SAVE 30.00
25402-293

High Pressure Washer

Handy cart mobility 500 600 psi automatic mixing for easy cleaning and spraying. Built in tank eliminates the need for bottles, etc. Special duty 1/4 Hp motor 5 way valve selects cleaning phase desired, 100% chemical, metered chemical, rinse tank filling, and off 2 gpm pump 6 ft grounded power cord 35 1/2" high, 15 1/2" wide, 18 3/8" deep. Requires 15 amps power at 115 volts.



WAGON GEAR



LESS TIRES

Rugged all welded construction, heavy duty spindles, adjustable wheel base, standard tongue. All units comes less tires.

5 Ton
8030-046
Reg. 369.95

SALE
329⁹⁵

6 Ton
8039-046
Reg. 429.95

SALE
379⁹⁵

8 Ton
8045-046
Reg. 479.95

SALE
439⁹⁵

SAVE up to 60.00
Three Point Tractor Blades

6' 30 Hp. Rating
20250-157
Reg. 139.99

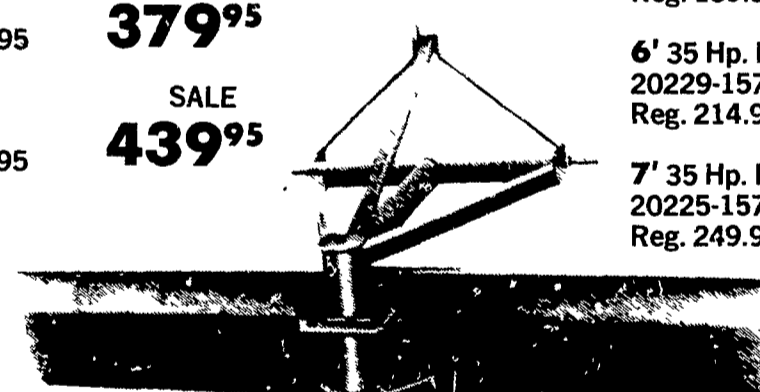
SALE
114⁹⁹

6' 35 Hp. Rating
20229-157
Reg. 214.99

SALE
164⁹⁹

7' 35 Hp. Rating
20225-157
Reg. 249.99

SALE
189⁹⁹

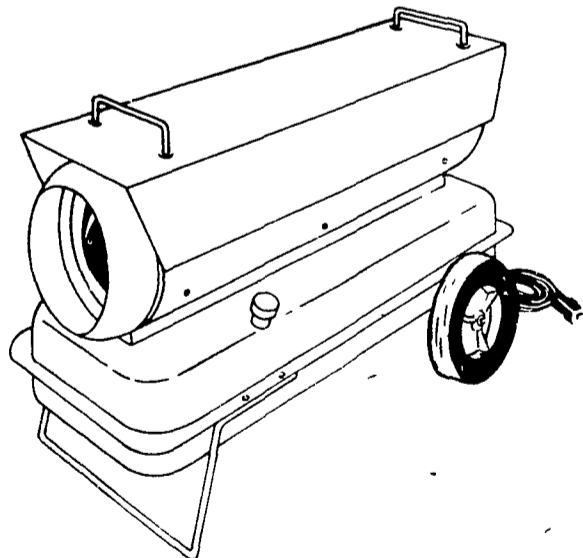


189⁹⁹

Reg. \$229.99 - 12951-279 / SAVE 40.00

3 Pt. Hitch Wood Splitter

Fits category 1 or 2, allows you to split a cord of wood in less than an hour. Exclusive quick adjust back-stop, heavy duty construction, can be used free standing with ground stand or mounted on tractor. Uses 8" to 18" stroke hydraulic cylinder. Does not include cylinder, valve, hoses, or stand.

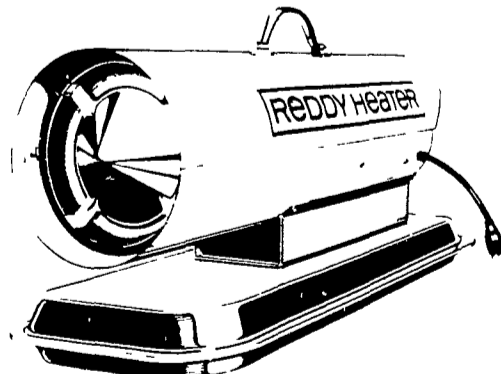


249⁹⁹

Reg. 269.99 / SAVE 20.00
23985-260

97,000 BTU Space Heater

Completely portable, burns kerosene or #1 fuel oil, consumes less than 3/4 gal per hour. 8 gallon tank, spark plug ignition and automatic flame out control.



124⁹⁹

Reg. 149.99 / SAVE 25.00
24000 260

30,000 BTU Space Heater

Completely portable, burns kerosene or #1 fuel oil, operates 8 to 10 hours on a 2.25 gal tank of fuel, reliable solid state ignition and automatic flame out control.



FARM & FAMILY CENTER

LANCASTER

1570 Manheim Pike, Hwy. 72 North

Ph: 717-569-0111

Sale Hours:

8 to 6:00 Monday - Thursday
8 to 6 Friday; 8 to 5 Saturday

CHAMBERSBURG

1351 Lincoln Way East

Ph: 717-264-8282

Sale Hours:

9 to 6 Monday - Thursday
9 to 9 Friday; 9 to 5 Saturday

All items are subject to stock on hand. We reserve the right to limit quantities. Sale ends on the above date.