

Farm families honored at 1980 Farm Show

HARRISBURG, PA. — The 1980 Farm Show, January 6-11 in Harrisburg, has been dedicated to "Pennsylvania Farm Families — Producing the Finest Quality For Your Table."

"Our 59,000 farm families have done an outstanding job of producing top quality food products, State Agriculture Secretary Penrose Hallowell said.

"Pennsylvania is the leading agricultural state in the Northeast due to the dedication and hard work of our farm families. They are the custodians of nearly nine million acres of farmland in the Commonwealth, producing crops and liv-

estock for our tables worth more than \$2 billion every year."

Hallowell noted production was one side of the story of Pennsylvania farm families' contribution.

"The other side is quality," he said. "An ear of fresh sweet corn, a taste of Pennsylvania fruits or a swallow of dairy fresh milk makes it obvious that our farm products are unrivalled for their taste and goodness."

The Grand Opening of the 64th Farm Show has been declared "Farm Family Day," with opening ceremonies to be conducted by Governor Dick Thornburgh at 1 p.m. on January 6.

Representatives of Pennsylvania's many diverse commodity associations will be on hand to offer samples of quality Pennsylvania products.

The opening day activities are open to the public at no charge with no tickets required, unlike recent years when attendance was by invitation only. Parking will be available as usual in the Farm Show's 60-acre lot. A one dollar fee is charged.

Monday evening ceremonies will continue to emphasize the contributions of farm families, as Secretary of Agriculture Night offers a variety of

entertainment featuring farm family members.

Master Farmers Night on Tuesday will recognize seven outstanding farmer-operators for their efficiency, management and achievements on their farm operations.

Activities on Wednesday have been dedicated to the farm family youth of Pennsylvania. The 4-H and FFA members of the state will be honored for their dedication to the future of the agricultural way of life.

"The displays of agricultural products and prize animals, the farm equipment and machinery at the Farm Show allow the visitor to see, first hand, the tremendous impact our family farms have on the Commonwealth," Hallowell said.

xxx

One reason some cows eat dirt and chew boards is that they are fed more concentrate than forage dry matter. This is more apt to happen than deficiencies of phosphorus and potassium.

"We are proud to dedicate this 1980 Farm Show to the people who are truly the 'backbone' of America."

HOG PRODUCERS!

Get Top Price for Your Hogs at New Holland



Sold in sorted lots the auction way. See them weighed and sold and pick up your check.

SALE EVERY MONDAY - 8:00 A.M.

NEW HOLLAND SALES STABLES, INC.

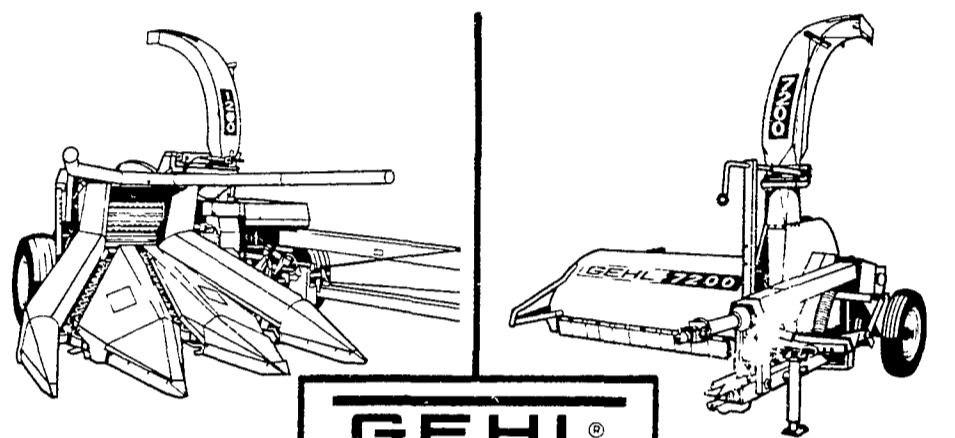
Phone 717-354-4341

Daily market Report - Phone 717-354-7288

Abe Diffenbach, Manager



The Daubert family, Pine Grove, won all of the Brown Swiss titles at last year's Farm Show. Eleven year old Allen, left, won the 4-H show while his brother, Dennis, captured the honor in the open competition. They were also named premier breeder and exhibitor.



GEHL
FARM EQUIPMENT

Forage Harvesters

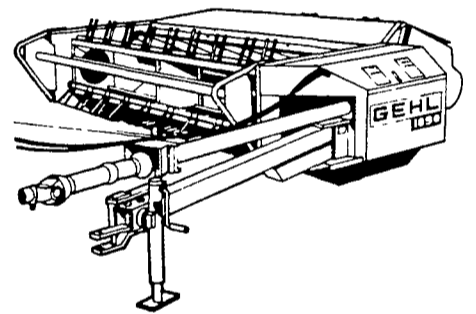
	Dec	Jan
1200	\$500	\$400
800	\$450	\$350
700/750	\$350	\$250

Flail Choppers

72/7200	\$170	\$120
---------	-------	-------

Mower Conditioners

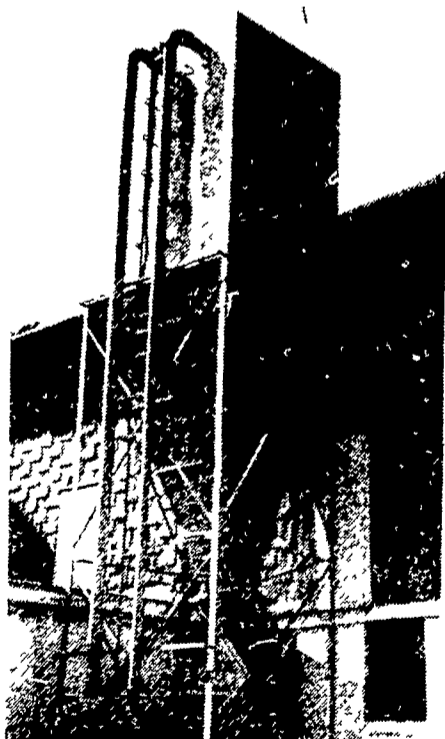
770/1070		
880/1090	\$220	\$170



CUSTOM BUILT FEED BINS

FEATURING:

- High quality 14 gauge steel
- Solid Welded Seams Making it Water and Rodent Proof
- Long Taper and Large Opening for Easier Flow
- Can be installed inside or outside building



Most Installations Can Be Made Without Auger!
WILL DELIVER AND INSTALL ANYWHERE

MEL'S WELDING SERVICE

R1 Kennedyville, Md. 301-348-2179

Sales and Service - Grain Equipment, Bucket Elevators, Distributors, Pipes and Accessories

Gehl Cash Bonus Bonanza

You can save money AND taxes if you buy eligible Gehl equipment now!

First, stop in and we'll make our **BEST DEAL** on a new Gehl forage harvester, mower conditioner or flail chopper.

Second, Gehl will send you a **CASH BONUS CHECK** of up to \$500 in December, \$400 in January!

Third, if you buy before Dec. 31, you may be eligible for a **10% Investment Credit** off your '79 taxes.

Your combined savings could be **\$1200 ... \$1700 ... or more!**

But hurry! The offer is incremental and good only during **December, 1979 and January 1980!**

Although it doesn't apply to Cash Bonus Bonanza purchases, Gehl also offers **Waiver of Finance** until June 1, 1980, on selected equipment.

Stop in and we'll give you all the details.

PEOPLE'S SALES & SERVICE

Oakland Mills, PA
717-463-2735

N.G. HERSHEY & SON

Manheim, PA
717-665-2271

A. L. HERR & BRO.

Quarryville, PA
717-786-3521

S. JOHNSON HURFF

Pole Tavern
Monroeville, NJ
609-358-2565 or
609-769-2565

STOUFFER BROS. INC.

Chambersburg, PA
717-263-8424

ARNETT'S GARAGE

Rt 9 Box 125
Hagerstown, MD
301-733-0515

NEVIN N. MYER & SONS, INC.

Chester Springs, PA
215-827-7414

UMBERGER'S MILL

Rt 4 Lebanon, PA
(Fontana)
717-867-5161

ZOOK'S FARM STORE

Honey Brook, PA

BINKLEY & HURST BROS.

133 Rothsville Station Road
Lititz, PA
717-626-4705

AGWAY, INC.

Chapman Equip Center
Chapman, PA
215-398-2553

KING'S TOWN TRACTOR CO., INC.

Rt 213 South
Chestertown, MD
301-778-1640

CHAS. J. MCCOMSEY & SONS

Hickory Hill, PA
215-932-2615

WETZ GARAGE

Lineboro, MD
301-374-2672

LEBANON VALLEY IMPLEMENT CO., INC.

Richland, PA
717-866-7518

CLAIR J. MYERS

Lake Road R1
Thomasville, PA
717-259-0453

COLUMBIA CROSS ROADS EQUIP.

RD 2 Box 62
Columbia Cross Roads, PA
717-297-3873
717-297-2991

PETERMAN FARM EQUIPMENT, INC.

225 York Rd
Carlisle, PA
717-249-5338