

Council of Farm Organizations plans meeting

CAMP HILL — The Pennsylvania State Council of Farm Organizations has scheduled their Annual Meeting for January 21, 1980, at the Penn Harris Motor Inn in Camp Hill.

The day is an important one for the entire Pennsylvania agricultural community. All members of member organizations are invited which practically includes everyone engaged in farming or servicing the farm industry.

The day begins with a seminar at 10:30 a.m. entitled, "Preservation of Agricultural Land - Four Perspectives."

The Farm Perspective will be given by Amos H. Funk of Millersville; the Local Government Perspective by Ken Grieder, Executive Director of the Penna. State Association of Township Supervisors; the Legislative Perspective by Representative Noah Wenger, Vice Chairman of the House Agriculture Committee; and the Pennsylvania Department of Agriculture Perspective by the Honorable Chet Heim, Deputy Secretary, Pennsylvania Department of Agriculture.

A question and answer period will follow the formal presentations. Following the seminar will be a formal luncheon (six dollars per person) with guest speaker the Honorable Penrose Hallowell, Pennsylvania Secretary of Agriculture.

The afternoon business session will include adoption of policy positions, nomination of Trustees to Penn State University and important reports from officers and committeemen.

Although only the appointed representatives of each member organization can vote, the session should be important and an informative one for everyone

At the completion of the business session, special guest reports are given by distinguished Pennsylvanians. These guests include James Beattie, Dean of the College of Agriculture, Penn State University; Thomas King reporting on the Council for Agricultural Science and Technology (CAST); Dr. Robert Marshak, Dean of the School of Veterinary Medicine, University of Pennsylvania; Senator Pat Stapleton, Chairman of the Senate Agriculture Committee; and Representative Reno Thomas, Chairman of the House Agricultural Committee.

The day concludes with the Annual Legislative Dinner (twelve dollars per person) beginning with a reception at 5:30 p.m. and dinner at 6:30 p.m. Members of the Pennsylvania General Assembly are guests of the Council at the Banquet.

A speaker for the evening

program has not been confirmed yet.

The Council is dependent upon contributions for the evening banquet where Pennsylvania legislators and government leaders learn what is important to Pennsylvania agriculture.

For reservations or contributions, contact Council Secretary, Carl Diebert at Penna. Council of Farm Organizations, 1604 N. Second St., Harrisburg, PA 17108 or call that office at (717) 234-5001 before January 11, 1980.



1609 NOV '76 M P 54

HOLIDAY SCHEDULE

★ CLOSED MONDAY
DECEMBER 24 & TUESDAY
DECEMBER 25

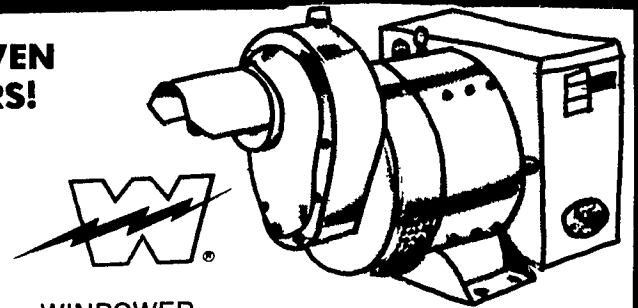
★ CLOSED MONDAY
DECEMBER 31 AND
TUESDAY JANUARY 1.

**FARMERSVILLE EQUIP.
INC.**

RD 4 EPHRATA, PA.
Phone 717-354-4271

TRACTOR DRIVEN ALTERNATORS!

Protect your farm against costly power failure. Buy or lease a Winpower Alternator.
PHONE OR WRITE



WINPOWER CORPORATION

Distributed by

JAY RICHWINE

528 Hogestown Rd
Mechanicsburg, PA 17236
717-766-4382

MARVIN HORST

1950 S. 5th Ave
Lebanon, PA 17042
717-272-0871

WAYNE OLVER

Damascus, PA 18415
717-224-4169

Merry Christmas



**Wishing You
The Blessings
Of This Joyous
Season and
Throughout the
New Year**

Happy New Year

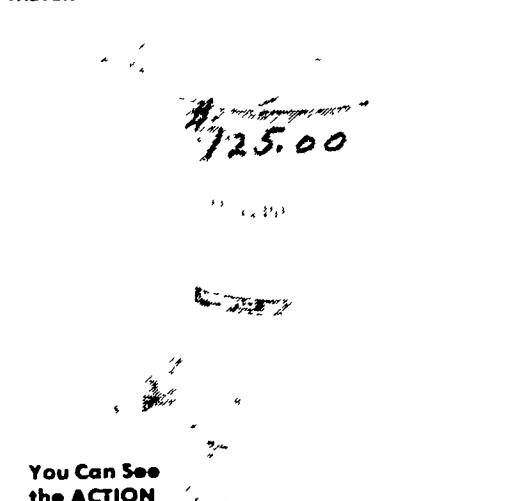
Bangor, PA
Baptistown, NJ
Columbia, PA
Ephrata, PA
Holtwood, PA
Lebanon, PA
Leola, PA
Newburg, PA
Port Murray, NJ
Reading, PA
Stewartstown, PA
Thomasville, PA
West Grove, PA
Monroeville, NJ
Taneytown, MD
Mt. Airy, MD

Eric Heinsohn 215-588-4704
Cindy Gordeuk 201-996-2088
James Charles 717-898-8694
Darvin Yoder 717-733-0966
Paul Herr 717-284-4592
Paul Martin 717-944-2381
Lynn Gardner 717-656-6509
Jerry Babonis 717-423-6451
Robert Kayhart 201-689-2605
Robert Greider 215-378-1212
Tom Engle 717-993-6836
Ira Boyer 717-225-3758
Maurice Stump 215-869-9187
Cindy Hetzell 609-769-2791
Jack L. Kling 301-447-2742
Allan Pickett 301-663-4191



MONOFLO

WATER FLOW METER
MEDICANT FLOW METER



You Can See the ACTION

1/2" Water Nipples - \$4.95

"Give Us A Try Before You Buy"

DANIEL Z. ZIMMERMAN

Animal Health Supplies & Livestock Equipment
Located between Leola & Talmage along Rt. 772
RD1, Leola, Pa. 17540
717-656-6982

SPECIAL INVENTORY REDUCTION SALE

10% OFF
ON MOST

DECEMBER 24
THRU
DECEMBER 29

★ CASH & CARRY ★

ITEMS THROUGHOUT THE STORE

PAUL B. ZIMMERMAN, INC.

Custom Manufacturing
Farrowing Crates - Gestation Stalls -
Vertical Bar Fencing

Box 128, R.D. #4, Lititz, PA 17543
Wood Corner Rd., 1 Mile West of Ephrata
Phone: 717-738-1121