

Dauphin County DHIA Monthly Report

OWNER BREED	NO COWS	% DAYS IN MILK	LBS MILK	% FAT	LBS FAT
Restful Acres H	55.9	84.2	48.5	3.6	1.77
Frank Wagner Mix	40.2	97.7	43.8	4.0	1.76
John Hertzler H	60.9	92.1	47.4	3.7	1.74
Edgar Hoffman H	32.5	91.1	46.2	3.6	1.66
Great View Fms H	42.1	84.8	45.5	3.6	1.64
A Grandview Fm H	33.7	85.8	43.6	3.7	1.63
Lauden Farms H	95.1	88.6	40.5	4.0	1.62
Earl E. Keefer A	79.4	82.3	37.9	4.2	1.60
Robert Beach Jr H	46.7	90.4	43.3	3.7	1.59
Richard Alwine H	48.1	87.6	43.0	3.7	1.58
Elwillo Farms Mix	100.6	88.6	42.9	3.7	1.58
Harold Nissley H	44.9	87.1	41.7	3.8	1.57
Larry L. Boyer H	24.5	80.4	43.2	3.6	1.56
Wilmer Campbell G	64.8	91.9	33.8	4.5	1.51
Melvin Brandt H	69.4	87.4	40.5	3.7	1.50
Catalpa Farms H	93.9	79.2	39.8	3.7	1.48
Arthur Brandt H	82.1	83.3	40.9	3.6	1.48
Earl Campbell H	61.6	77.4	38.0	3.9	1.47
Dale F. Faust H	37.6	78.3	39.5	3.7	1.47
Lebo Brothers G	36.6	95.3	29.2	5.0	1.45
Mahlon Lehman H	47.7	87.2	38.4	3.8	1.44
Bryncoed Farm J	140.3	93.7	25.7	5.5	1.41
Calvin B. Mauser G	71.5	88.8	30.7	4.5	1.39
Lee R. Sweigard H	20.9	87.3	39.2	3.5	1.39
John R. Book H	51.0	80.9	37.5	3.7	1.38
Walter Schaffer H	27.1	99.0	37.1	3.7	1.37
Homer Campbell H	82.5	89.2	36.9	3.7	1.37
Donald Miller H	37.9	85.5	35.3	3.9	1.37
Robert J. Schaffer H	63.5	68.9	35.5	3.8	1.36
Lebo Brothers G	34.8	91.4	29.2	4.7	1.36
Floyd Feidt Mix	77.5	93.4	36.6	3.7	1.36
R Own Dairy H	92.2	83.2	35.0	3.9	1.36

Conewago Farms H	79.5	83.2	34.3	3.9	1.34
Robert Oellig Mix	35.5	89.3	36.8	3.6	1.33
Stoney Lawn Fms H	110.8	82.6	38.9	3.4	1.33
F. Wagner Jr Mix	34.9	84.0	31.3	4.2	1.32
Lytle Farms, Inc H	89.3	77.4	39.9	3.3	1.31
Henry Keiter H	40.9	87.1	34.9	3.8	1.31
Stoney Lawn Fms H	112.1	80.9	37.6	3.4	1.27
Elwood M. Zell H	48.4	87.7	33.1	3.5	1.17
Gary E. Miller H	53.5	85.1	30.7	3.7	1.15
Elvin E. Landis H	33.0	97.0	29.9	3.7	1.11
Boyd Dimpsey H	32.0	86.7	26.0	3.9	1.02

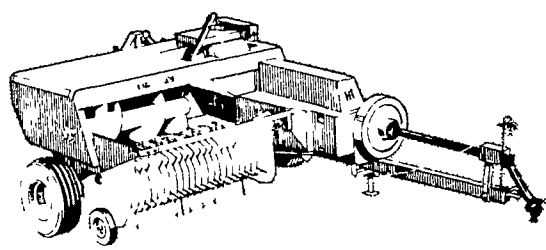
OWNER NAME OR NUMBER	AGE	LBS MILK	% FAT	LBS FAT
Bryncoed Farm Jersey				
91 B	8-2	11,433	5.2	598
95 O	6-0	10,020	5.7	573
193	4-1	8,792	5.9	517
John Hertzler				
Audrey	3-3	15,038	4.5	675
Abigail	6-8	30,164	3.3	999
Madge	5-3	17,218	3.6	620
Daisy	1-11	10,870	4.8	520
Conewago Farms				
Hannah	9-4	19,676	4.1	812
Judy	8-9	17,145	4.4	743
Mamie	6-2	17,843	3.5	620
Ko Roda	4-5	22,286	3.2	717
Harriet	4-0	16,769	3.5	593
Heidi	2-4	14,216	3.8	538
Earl E. Keefer				
Elise	8-7	14,645	4.4	639
Beverly	6-10	16,105	4.4	708
Gemini	3-5	14,132	3.6	514
Hianna	6-9	19,076	3.9	751
Betsy	2-2	14,016	4.2	589
Calvin B. Mauser				
Joanne	7-0	14,958	4.3	642
Nita	3-10	15,149	4.1	622
Sissie	3-1	11,500	4.7	538
Bonbon	2-1	12,314	4.3	534
Robert J. Schaffer				
Rena	7-3	14,457	4.9	707
Pearl	5-2	18,688	4.3	797
Keyes	5-0	26,443	3.2	834
Ethel	4-3	19,662	3.4	670
Gilda	3-7	24,921	3.5	884
Barb	3-1	20,380	4.0	817
Wendy	2-3	16,649	4.3	715
Lebo Brothers				
Rachel	5-11	13,735	4.7	642
Mimi	4-6	14,647	4.4	647
Pepper	3-3	11,918	4.5	533

Lancaster Farming, Saturday, November 24, 1979-13

Robin	2-11	15,300	4.1	631
Nyla	3-2	15,194	4.9	743
Posy	2-2	11,251	5.4	606
John Roy Book				
Marge	6-2	18,841	3.5	658
Karin	5-4	17,563	4.1	714
Hazel	3-5	16,929	3.5	599
Jerry	2-7	15,324	3.8	578
Lee R. Sweigard				
IrBetty	5-1	13,718	3.8	524
Stoney Lawn Farms				
Alice	7-7	18,591	3.4	639
Jaylene	7-0	18,623	3.2	594
Dixie	6-11	17,760	3.7	657
Rebel	5-7	21,855	2.8	607
Storm	4-5	18,836	3.3	616
Jayanna	4-5	17,005	3.5	590
Hennie	3-10	18,165	3.9	714
Netta	4-2	20,782	2.9	612
Lady	2-3	14,619	3.5	516
Snoflak	2-4	17,032	3.1	524
Chief	6-1	19,620	3.6	708
Lytle Farms				
Audie	8-3	16,659	3.5	582
Rhoda	7-3	14,688	4.0	593
Shar	6-3	19,937	3.6	723
Agnes	6-4	13,647	4.0	549
Autena	5-10	17,412	3.0	523
Aries	2-2	14,970	3.6	536
Floyd Feidt				
Ellen	6-3	15,805	4.5	712
Candida	3-9	13,381	4.1	542
Flossie	3-3	16,065	3.6	586
Boyd Dimpsey				
Dora	7-1	13,361	3.8	510
Mahlon L. Lehman				
Dee Dee	4-3	14,434	4.1	595
J. Melvin Brandt				
White	7-10	22,982	3.9	901
Shiela	7-3	16,330	3.9	644
Samm	5-1	20,286	3.4	689
Carol 2	3-9	21,047	3.8	797
Jo Jo	4-4	15,929	4.0	644
Sparkie	4-1	17,501	3.9	687
Fay	3-4	17,758	3.9	686
Wilmer Campbell				
Pearl	4-5	13,733	4.7	645
Petal	4-7	12,778	4.8	618
Nova	4-9	12,337	5.9	727
Paula	3-5	13,894	4.1	563
Sonya	1-7	10,610	4.9	518
Harold M. Nissley				
Melinda	6-8	21,160	4.2	889
Suzy	5-11	17,749	3.9	689
Gwen	2-8	14,791	3.9	571
R Own Dairy, Inc				
41	2-11	20,422	3.3	682
77	2-3	14,762	4.3	628
70	2-1	14,861	4.0	600
90	2-2	15,271	3.4	514
94	2-0	13,380	4.3	572
56	2-0	12,210	4.1	501
J. Richard Alwine				
Pam	5-11	17,359	3.2	563
Carol	5-3	12,824	4.0	514
Becky	3-9	18,232	3.5	646
Rose	3-2	14,014	3.9	542
Mindy	2-6	13,475	3.8	507
Betty	2-10	16,469	3.6	591
Ruthie	2-2	15,076	3.4	518
Mary	2-4	13,777	3.7	510
Homer Campbell				
11	5-3	15,052	3.6	549
123	3-1	16,146	3.7	601
Catalpa Farms				
Robin	4-2	16,986	4.4	746
Sadie	4-0	18,682	3.8	717
Katrina	2-11	13,451	3.8	505
Star	2-2	14,860	3.7	551
Restful Acres				
Melissa	5-11	24,307	3.7	897
Silver	5-2	19,674	3.8	744
Natalie	4-2	18,505	3.2	595
Bo Peep	1-10	15,975	3.7	587
Edgar Hoffman Pegmar				
Lola	5-3	21,760	3.8	817
8	5-1	17,612	4.0	699
Lauden Farms				
Gail	5-5	14,213	3.9	548
Merrill E	5-1	14,238	4.0	571
Julie 10	4-1	20,308	3.9	793
Dara 35	3-7	21,083	4.1	868
Peggy 57	3-3	13,295	3.8	501
Holly 65	3-0	20,095	3.8	769
116	2-3	15,062	4.0	598
Gary E. Miller (not given)				
126	5-0	14,273	3.9	554
127	5-1	17,934	3.3	589
127	5-0	14,863	3.4	504
19	2-0	13,282	3.8	501
10	2-0	16,981	3.6	611
34	2-0	15,064	3.8	570
Great View Farms				
Boots	4-4	19,636	3.3	643
Melinda	3-7	18,716	3.2	600
Earl Campbell				
17	3-11	15,020	5.1	766
122	3-1	15,446	4.6	715
124	3-2	13,753	4.1	565
129	3-2	16,621	4.0	661
Henry Keiter				
Jenny	5-2	14,945	4.0	597
Litning	0-0	17,697	3.8	667
Donald Miller Deemar				
53	5-1	14,473	3.7	537
A Grandview Farm				
8	5-3	21,612	3.3	713
18	5-1	20,173	4.2	856
Arthur Brandt				
Skippy	4-4	15,793	3.2	513
Jewel	5-5	19,220	3.9	754
Fern	4-3	16,574	3.5	586
Ruby	3-1	13,962	3.6	504
Elwillo Farms				
120	11-6	18,032	3.6	654
46	7-11	18,876	3.4	647
62	5-7	17,052	3.6	620
27	3-4	16,674	3.8	632
75 R	3-5	12,735	4.1	519
78 R	4-8	19,521	3.3	635
82	3-2	17,853	3.4	612
128	2-2	15,084	3.9	589

BUY NOW, PAY LATER.

SPECIAL FALL CLEARANCE WITH WAIVER OF FINANCE



(1) International 445 BALER With Model 15 Bale Throwing

SPECIAL PRICE **\$5355⁰⁰**

Waiver of Finance Till 5-1-80

SPECIAL PRICES

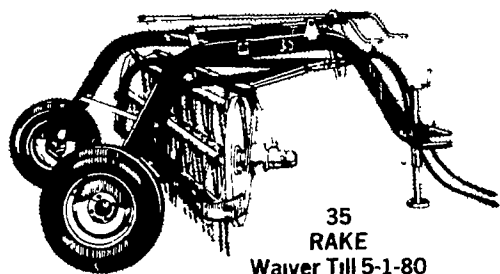
—PLUS—
Waiver of Finance!

- 1190 Mower Conditioners
- 830 Int. Forage Harvesters
- Plows
- Disc Harrows

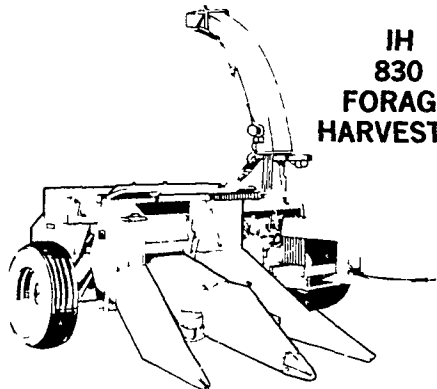
★ SOME GOOD TRADE-INS!

★ IN MOST CASES YOUR TRADE-IN IS A SUFFICIENT DOWNPAYMENT!

CALL US TODAY



35 RAKE
Waiver Till 5-1-80



IH 830 FORAGE HARVESTER
Waiver Till 8-1-1980

INT. 1190 MOWER CONDITIONER, Used 1 Season

YOUR FULL SERVICE DEALER

MESSICK

FARM EQUIPMENT, INC.

RHEEMS EXIT - RT. 283

ELIZABETHTOWN, PA.

PHONE: 717-367-1319 — 653-8867

M. DALE HERR · HOME 665-2718 WARREN SPICKLER · HOME 653-4560



(Turn to Page 14)