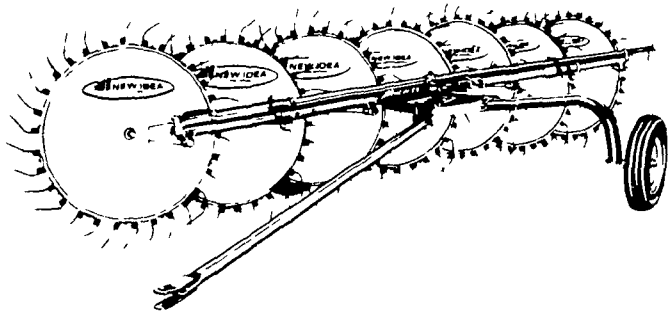


# SPEED WHEEL RAKES . . .

**built to last!**



MODEL 404

This low cost, speedy windrow builder is efficient and effective in any type of field Rakes up to 11 feet in one pass by simply adding

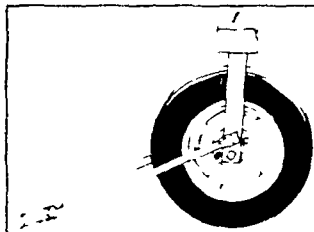
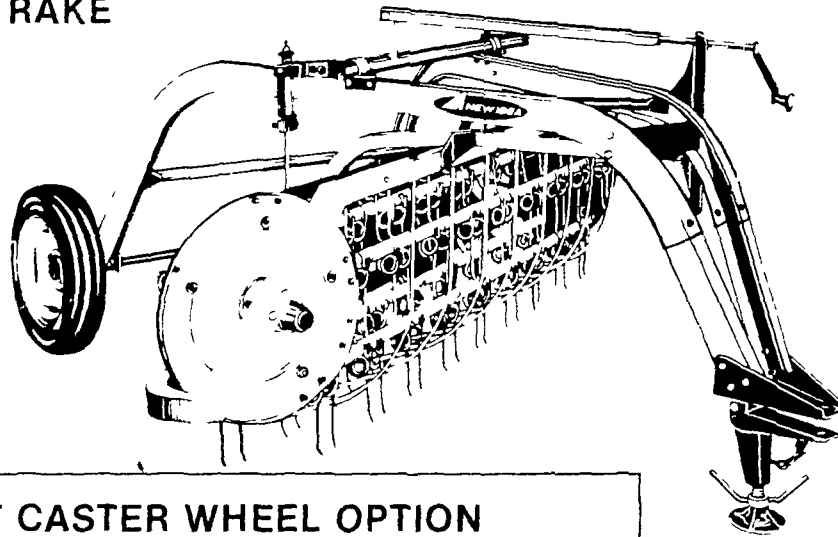
1 or 2 raking wheels to the 5 standard rake wheels. Simple design minimizes maintenance and holds down costs!!

The independent, counterbalanced raking wheels follow irregular ground contour with ease for maximum, efficient raking

# RAKE FAST! RAKE CLEAN!

NEW IDEA MODEL 402 BELT DRIVE RAKE

Get all the hay with five tooth bars that provide a smooth, lifting, rolling action that builds fluffy windrows at minimum cost You also get smooth quiet dependability big uniform windrows, and a minimum of leaf shattering The quality New Idea Belt Drive Rake the rake that saves you money



### NEW FRONT CASTER WHEEL OPTION

Front wheel acts as a gauge wheel to follow any contour ground closely for a cleaner raking job. Permits easy hookup and use of longer tongue for tighter turns.

# BIG CAPACITY, LONG REACH, HIGH PERFORMANCE!

NEW IDEA 177 FLIGHT ELEVATOR



Whatever you want to elevate, the Avco New Idea Flight Elevator can handle it ear corn, shelled corn, baled hay, beans, small grain or ensilage It's available in the length you need from 31 to 51 feet

Both the regular and long trucks feature a 96 inch wide tread for extra stability All sections are made of galvanized steel with steel angles at overlapping joints for extra strength

Choose from PTO, gas or electric motor drive It's the flight elevator designed for big capacity



We get our best ideas from you

## SEE DEALERS BELOW AND ON OPPOSITE PAGE

**ADAMS CO.**  
YINGLING'S IMPLEMENT  
RD 9 Gettysburg, PA  
717 359 4848

**ARMSTRONG CO.**  
SNYDERS IMPLEMENT STORE  
220 N Grant Avenue  
Kittanning, PA  
412-543 2441

**BERKS CO.**  
N H FLICKER & SONS, INC  
Maxatawny  
215 683 7252

**STANLEY A KLOPP, INC**  
Bernville, PA  
215-488 1500

**MILLER EQUIPMENT**  
Bechtelsville, PA  
215 845 2911

**SHARTELSVILLE FARM SERVICE**  
RD 1, Hamburg, PA  
215 488 1025  
H Daniel Wenger, Prop

**ZIMMERMAN'S FARM SERVICE**  
Bethel, PA  
717-933 4114

**BRADFORD CO.**  
ALLIS HOLLOW EQUIP  
RD 1,  
Rome, PA  
717 247-2601

**CARLL PIERCE**  
RD 2,  
Columbia Cross Roads, PA  
717-297 3513

**WYNNE'S GARAGE**  
Canton, PA  
717 673 8456

**BUCKS CO.**  
C J WONSIDLER BROS  
Trumbauersville Road  
Quakertown, PA 18951  
215 536 1935

**PAUL HISTAND CO, INC**  
397 North Main Street  
Doylestown, PA  
215 348 9041

**CAMBRIA CO.**  
HINES EQUIPMENT  
Cresson, PA  
814 886 4183

**CENTRE CO.**  
C & P FULTZ EQUIPMENT  
R.D. 1  
Spring Mills, PA  
814-422-8805

**R.T. MARKLE**  
1841 Pine Hall Dr  
State College, PA  
814-237-3141

**CHESTER CO.**  
CHAS J McCOMSEY  
& SONS  
Hickory Hill, PA  
215-932 2615