

Pennmarva petitioned for dairy sale changes

ALEXANDRIA, Va. — Pennmarva Dairymen's Federation, Inc., has petitioned the Department to convene a hearing on a proposed charge on overdue accounts and an increase in the rate of deduction for the advertising and promotion program under the Middle Atlantic milk order.

The proposals would increase by one per cent any unpaid obligation of a handler to the market administrator, the first day after the due date, and provide for an increase in the rate of deduction for the advertising and promotion program from \$.07 per hundredweight to one per cent of the weighted average price which prevailed during

the last six months of the preceding calendar year.

The proposals have not yet been approved for inclusion in a notice of hearing. Before deciding whether a hearing should be held, the Department is providing interested parties an opportunity to submit additional proposals. Proposals should be stated in specific terms so that the hearing issues would be clearly set forth.

Four copies of the proposals should be mailed to: Deputy Administrator, Marketing Program Operations, Agricultural Marketing Service, U. S. Department of Agriculture, Washington, DC 20250, by May 25, 1979.

Each proposal should be accompanied by a brief but comprehensive statement of the need for the proposal. The statement will be used in deciding whether the proposal should be con-

sidered at a hearing.

A hearing would be limited to the proposals included in a hearing notice. However, appropriate modifications of proposals included in the notice also may be con-

sidered at the hearing if the modifications would not enlarge the marketing area or regulate persons not now subject to the order. Any proposals that would extend regulation should be ac-

companied by the names and addresses of persons who proponents believe would be affected by the proposed extension and an estimate of the number of additional dairy farmers involved.

Tent caterpillars are an annual nuisance

Tent caterpillars are large—about two inches long when mature. They have a black body with rather long hairs, blue and white side markings, and a prominent white strip down the back.

In the Spring as the trees leaf out, colonies of these caterpillars construct their familiar "tents" or nests in the forks of trees growing along roadsides, in brushy pastures, and in other waste places. Occasionally trees in home plantings also become infested.

According to University of Delaware Extension garden specialist Dave Tatnall, the pest favors wild cherries, but may also attack apple, pear, hawthorn, and various other fruit trees, as well as shade and ornamental trees.

Infested trees are sometimes completely stripped of their foliage by the voracious larvae. Though weakened, these trees are seldom killed. The caterpillars often cause added annoyance to gardeners and homeowners when they crawl about in search of more food or a place to spin their cocoons.

You can control tent caterpillars by several methods, says the specialist. The nests can be torn open and the larvae crushed on the ground. Sometimes nests in the smaller forks of branches can be pruned out and burned. (One would not attempt to burn the nests while they are still in the tree.)

Insecticide sprays are

effective if applied promptly to nests and surrounding foliage when webs first appear. If possible, one should spray in the early morning or late afternoon when the caterpillars are inside. Malathion or Sevin, applied at labeled rates, are the suggested controls.

One can help avoid future trouble by removing nearby unwanted wild cherry trees and by destroying the dark, shiny egg masses found overwintering on their twigs before the growing season has started.

If one makes their stay in your neighborhood an unwelcome one, these Bedouins of the bug world may decide to pack up and pitch their tents somewhere else.

Carpenter apprenticeship open

LANCASTER - The Home Builders Association of Lancaster County will be accepting applications for the 1979-1980 Carpenter Apprentice Program through Friday, May 25, 1979.

This program is a four-year Carpenter Apprenticeship approved by the Bureau of Apprenticeship and Training, U.S. Dept. of Labor and the Apprenticeship and Training Council of the Commonwealth of Pennsylvania.

Each apprentice receives 8000 hours of "on-the-job-training" with a home builder in Lancaster County. Areas such as form building, rough framing, outside finishing, inside finishing, hardware fittings, layout and care and use of tools will be included in the training.

Each apprentice will also receive 576 hours of related training during the four years. This training will explore the theoretical aspects of carpentry at a local school.

The following qualifications will be necessary for applicants: the individual must be at least 18 years of age, a high school graduate and have a doctor's certificate indicating fitness to work in construction.

Anyone interested in applying should contact John Lauer at the Bureau of Employment Security Office, 225 N. Lime Street in Lancaster. The phone number is (717) 299-7631.

The new Patz 350 spreader, designed for smoother application. Built for heavier loads.

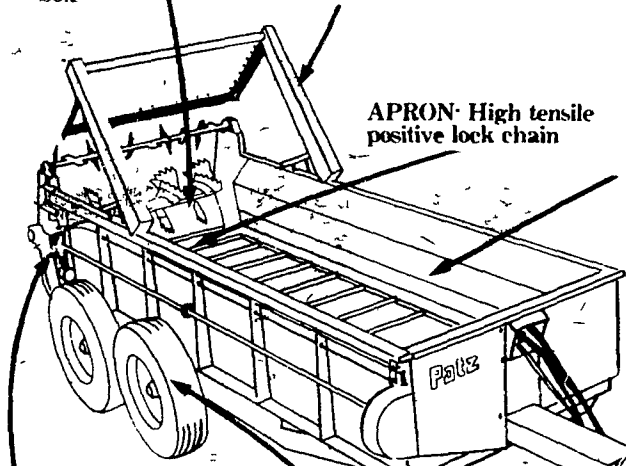
WHEN YOU SEE IT YOU'LL KNOW IT WAS BUILT BY

Patz

Pound, Wisconsin 54161

BEATERS- PTO driven beater is mounted on reinforced framework adding strength to the box

END GATE with twin double acting hydraulic cylinders



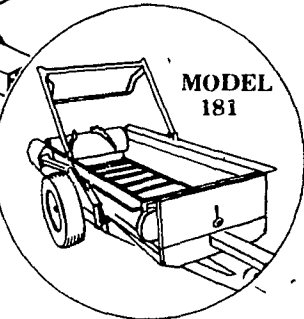
APRON High tensile positive lock chain

CAPACITY 350 bushels or 220 cubic feet struck level

CONSTRUCTION Special corrosion resistant ribbed steel sides. Extra heavy frame extends back to wheels for maximum support. Treated wood floor for long life.

HYDRAULIC APRON DRIVE Independent hydraulic motor offers variable apron speeds from stop to maximum on the move

WHEELS Walking tandem wheels make for smoother pulling with better flotation on rough ground.



MODEL 181

For complete details on the new Patz 350 and the dependable model 181 contact your nearest Patz dealer

PA4815

DISTRICT MANAGER

GEORGE HEATH 472 Woodcrest Dr. Mechanicsburg, PA 17055 717-737-9400

ALEXANDRIA
MAX ISENBERG
717-669-4027

KIRKWOOD
LANDIS &
ESBENSHADE
717-786-4158

WILLIAMSBURG
LONGENECKERS, INC.
814-793-3731

BALLY
LONGACRE
ELECTRIC
215-845-2261

LEBANON
MARVIN J. HORST
DAIRY EQUIPMENT
717-272-0871

MARYLAND DEALERS

BELLEFONTE
LUCAS BARN
EQUIPMENT
814-383-2806

McALISTERVILLE
SANER FARM
SYSTEMS
717-463-2606

HAGERSTOWN, MD
TRI-STATE
FARM AUTOMATION
301-790-3698

BELLEVILLE
MACLAY & SON
717-935-2101

MILLERSBURG
LANDIS
LABOR SAVERS
717-692-4647

KENNEDYVILLE, MD
PINDER SERVICE CO.
301-348-5263

CAMP HILL
LLOYD SULTZBAUGH
717-737-4554

MILTON
LANDIS FARMSTEAD
AUTOMATION
717-437-2375

LINEBORO, MD
WERTZ GARAGE, INC.
301-374-2672

CHAMBERSBURG
VALLEY FARM
AUTOMATION
717-264-3814

PIPERSVILLE
MOYER
FARM SERVICE
215-766-8675

NEW WINDSOR, MD
TRI-COUNTY
FARM AUTOMATION
301-775-7365

ELLIOTTSBURG
CARL BAER
717-582-2648

TERRE HILL
TERRE HILL
SILO CO. INC.
215-445-6736

STREET, MD
P & S EQUIPMENT, INC.
301-452-8521



FLUID FERTILIZERS

Plow Down & Row Corn Starter

18-6-12	7-21-7
18-9-9	9-18-9
16-8-8	8-24-6

- ★ CUSTOM BLENDING - Sprayed on with a big wheel truck liquid applicator.
 - ★ DRY FERTILIZERS AND LIME - Bulk and Bags.
 - ★ SOIL TESING - Let us help you with your 1979 crop.
- ORDER SPRING SEEDS NOW!!**
Alfalfas — Clovers — Oats
Seed Corn — Gutwein and Asgrow
- ★ CHEMICALS - Order now for best prices. We carry a complete line.
 - ★ BALER TWINE

— WANTED —

EAR AND SHELLED CORN AND SOYBEANS

RD 2, Cochranville, Penna. 19330

PHONE: Bob 215-869-8201 Dick 215-932-3307

Located on Rt. 41 Between Avondale and Cochranville Warehouse at Russellville.