

FARM EQUIPMENT

FARM EQUIPMENT

FREY BROS. MFG.
QUARRYVILLE, PA Ph: (717) 786-2146

- FARM GATES
- HEAD GATES
- CALF CREEP
- STEEL FENCE
- FREE STALLS
- LOADING CHUTES (Stop Stops)
- STEEL BUILDINGS
- AUTOMATIC WAGON HITCH
- RITCHIE WATERERS
- ELECTRIC GATES
- AL CHUTES
- EAR TAGS
- FEED BUNKS
- HAY RACKS

WRITE FOR FREE CATALOGS

**MASSEY FERGUSON
SPRING SPECIALS**

List SPECIAL

MF 428 4 row Cultivator	1,875	1,575
MF 82 3-16 Plow	1,767	1,500
MF 720 12 Ft. Disc	6,100	4,775
MF 468 6-row corn Planter	4,600	4,150
MF 33 17-Run grain & Fertilizer Drill	3,675	3,275
Glencoe 7 Tooth Soil Saver-SSP7B	5,100	4,775
Poplarville 10 Ft. Cultimulcher	3,700	2,600

**LEBANON VALLEY
IMPLEMENT CO.**

700 E. Linden St., Richland, PA
Phone: (717) 866-7518

USED EQUIPMENT

TRACTORS

JD 3020D, p. shift
JD 3010 gas
JD 60 gas
MF 1100D
MF 1085D
Farmall 544 D w/loader
Ford 2600D
Satoh Bison w/Wood mower (like new)

TILLAGE TOOLS

JD 16' rotary hoe
JD 12' Roller Harrow
Dunham 14' Roller Harrow
Oliver 16' Field Cultivator
JD 10' transport harrow
Pittsburg 9' transport disk

HAY TOOLS

NH 1495 Haybine like new
NH 495 Haybine
JD 336 baler w/30 bale ejector, like new
JD 3 pt. rake
MF 3 pt. rake
NH 469 haybine
NH 461 haybine

SPREADERS

JD 44
NI 214

SPECIAL SALE ON FORAGE BOXES

16' Box, 2 Beaters	\$1925
16' Box, 3 Beaters & roof	\$2565
10 Ton Wagon, adj. tongue, 11Lx15 tires	\$835

These Boxes are variable speed control

★ METER MAN ACREAGE FOR CORN PLANTERS

- ★ INSECTICIDE ATTACHMENTS FOR 1240 & 494A J.D. PLANTERS
- ★ DOUBLE DISC SEED OPENERS FOR 1240's

PARTS: 717-354-4191
SALES: 717-354-4731
SERVICE: 717-354-8004

A. B. C. GROFF INC.

SINCE 1890
110 S. RAILROAD AVE.
NEW HOLLAND, PA.



FARM EQUIPMENT

1977 NH 479 Haybine
JD 4430 tractor, SG, PS
JD 4230 tractor, SG, PS
NI 272 Cut-ditioner
1978 NH 1032 Stack wagon
NH 430 Baler
5' Rotary mower
Model 451 9 ft. sickle bar
Hesston 30A, 9 mo. warranty
JD 350, mold board plow, 5-16" btm.

Call After 5 P.M.
215-932-8510

JD KBA 24 disc, extra nice
IH 3 pt. corn planter, like new
NH 461 haybine, clean
Hesston 4500 baler w/motor, demo.
IH 3 x 16 auto. reset plow
New Pequea hay tedders in stock, PTO & ground drive on steel

Call Only after 7 P.M.
717-949-3074

FARM EQUIPMENT

CHISEL PLOW SPECIALS

32" Cushion Shank, reversible chisel.
CASE 10' w/depth gauge Wheel \$2300
SALE \$1650
CASE 5' \$857
SALE \$699
Offset Disc 10'4", 4800 Lbs. w/scrapers \$4500
1537 Case uni-loader rebuilt engine, 66" Stockyard bucket \$4,000
Diesel Tractor, 24 h.p. Yanmar, water cooled, Cat 1, 3 ph., demo unit.
\$5,600 Value
ONLY \$4,100
or \$97.52 per month

**T & T
SUPPLY, INC.**
RD #5, Danville, PA
17821
Ph: (717) 275-0927

FARM EQUIPMENT

SPERRY NEW HOLLAND
USED EQUIPMENT
Hesston PT10 Haybine
NH 1469 Self-Propelled Haybine
USED TRACTORS
Farmall M
NEW EQUIPMENT

**NEW HOLLAND
MANURE
SPREADERS**

NH L-35 Skid Loader
10 ft. Miller Disk
Hub Tool Elevators formerly N.H.
NEW TRACTORS
AC 7045
AC 5050
AC 7020

**NEW YANMAR
2 Cyl Diesel Tractors
In Stock**

**BHM FARM
EQUIPMENT INC.**
RD1, Annville, PA
717-867-2211

FARM EQUIPMENT



SPERRY NEW HOLLAND

TRACTORS

IHC 1206
IHC 560 Diesel
Farmall Super C
'74 Ford 3550 Diesel, 13' backhoe, torque converter trans.
(2) 9N Fords

EQUIPMENT

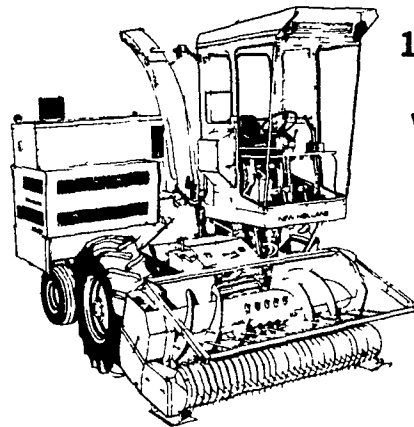
IHC 47 Baler w/thrower
NH 270 Baler
NH 33 Crop Chopper
NH 469 Haybine
JD #5 Grass Mower 7'
NH 45 Grass Mower 7'

**CHARLES S.
SNYDER INC.**

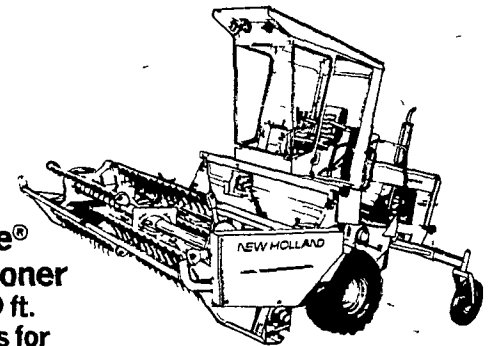
RD 3 Tamaqua, PA
18252
Phone: 717-386-5945



**QUALITY HAYMAKING BEGINS HERE
WITH THE RIGHT COMBINATION!**



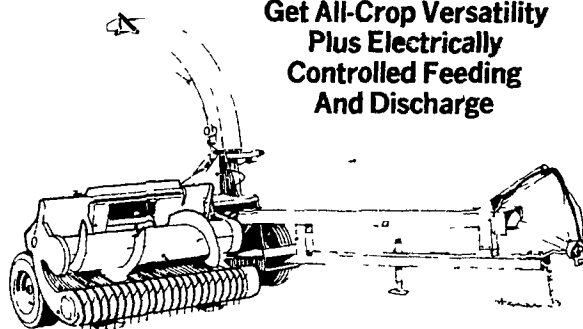
1890 Forage Harvester with windrow pick-up.



1495 Haybine® Mower-Conditioner 12 ft. cut with 9 ft. conditioning rolls for faster drying action.

INT. 830 Forage Harvester

Get All-Crop Versatility Plus Electrically Controlled Feeding And Discharge



FULL TWO YEAR WARRANTY

ASK FOR A DEMONSTRATION

WAIVER OF FINANCE ON SPREADERS AND GRINDER MIXERS

OUTSTANDING GOOD USED EQUIPMENT

Super MTA Tractor, wide front, 3 pt. hitch
Farmall M Tractor w/loader
Super C Tractor, plow, cultivator
Satoh 28 Hp w/loader, Excellent unit for poultry house

International 110 Forage Box, 3 Beaters - High Sides - Roof, Zimmerman 10 Ton Gear with 1100L-15 8 Plys - Adjustable Hitch, Special Only One \$3195⁰⁰

- IH 256 Planter
- IH 251 Fast Hitch 2 row Planter

IH 311 3 bottom Plow
NH 469 Haybine
IH 225 Hay Conditioner
Fast Hitch Mower
IH 1300 Mower
NH 68 Baler
IH 46 Baler
700 automatic reset 6-bottom Plow

NH 717 Forage Harvester, excel. condition
John Deere 66 Blower
NH 510 Spreader, Hyd. Gate
New Idea Single Beater Spreader
Hawk Tank Spreader
NH 475 Spreader, 3 beater
Ontario 14 Disc Grain Drill

NH 352 Grinder Mixer
27 WHIRL-O-FEED Blower
211 Fast Hitch Rotary Cutter
531 5 Bottom Plow

★ JUST RECEIVED ★
New Shipment Of
New Holland
Skid Steer Loaders

▼ YOUR FULL SERVICE DEALER ▼

MESSICK FARM EQUIPMENT, INC.

RHEEMS EXIT - RT. 283 ELIZABETHTOWN, PA.

PHONE: 717-367-1319 — 653-8867

M. DALE HERR - HOME 859-2490 WARREN SPICKLER - HOME 653-4560

