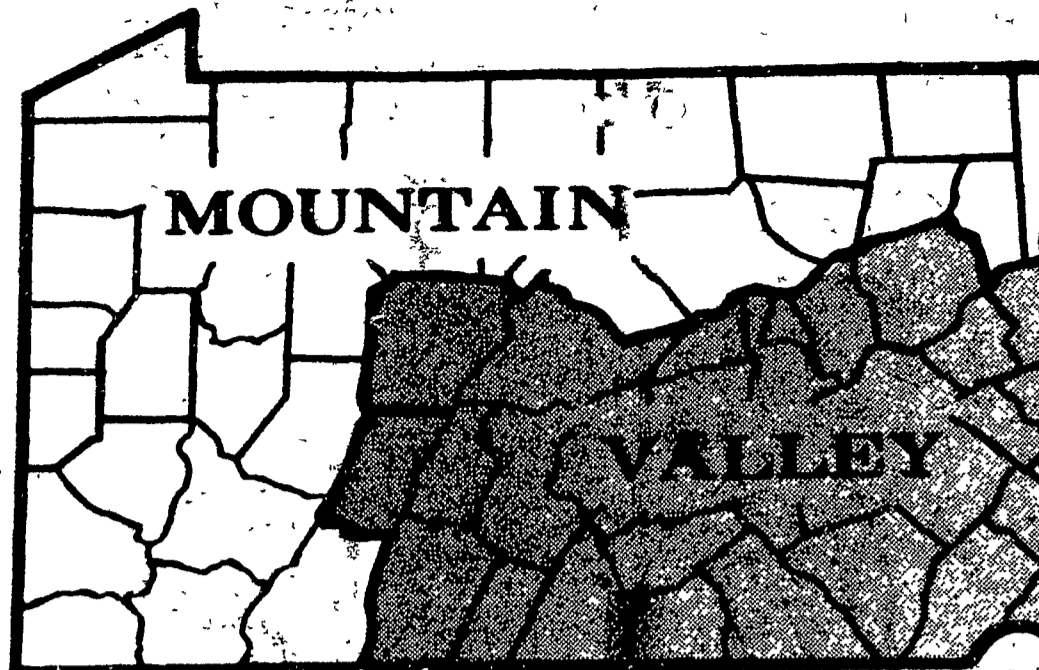


Custom farming rates

(Continued from Page 138)

CUSTOM RATES: SELECTED FARMING OPERATIONS, PENNSYLVANIA, 1979

Job	Basis Of Charge	Mountain Section	Valley Section	The State
Harvesting				
Corn Picking.....	Acre	\$ 13.00	\$ 12.60	\$ 12.80
Corn Picking And Shelling.....	Acre	17.10	16.80	16.90
Corn Combining.....	Acre	16.60	16.70	16.70
Corn Drying (23 Percent Corn).....	Bu.	.25	.25	.25
Combining Small Grains.....	Acre	13.10	13.10	13.10
Hay Making:				
Mowing.....	Acre	4.35	4.45	4.40
Mowing And Conditioning.....	Acre	5.85	5.75	5.80
Raking.....	Acre	3.30	3.40	3.35
Pick-Up Baling:				
Twine.....	Bale	.18	.18	.18
Wire.....	Bale	.26	.25	.25
Cut, Rake, Bale, And Store.....	Bale	.44	.42	.43
Large Round Baler (Avg. = 1400 Lb).....	Bale	7.45	5.80	6.65
Stacker-Wagon (Avg. = 1 Ton).....	Stack	15.50	14.00	14.50
Silage Making:				
Pull-Type Chopper And Tractor.....	Hour	18.50	22.50	20.50
Self-Propelled Chopper.....	Hour	26.00	36.00	32.00
Blower.....	Hour	4.10	4.30	4.20
1 Man, 2 Wagons, 1 Tractor.....	Hour	17.00	20.00	18.50
2 Men, 2 Wagons, 2 Tractors.....	Hour	27.00	30.00	28.50
Potato Harvesting, 1-6 Men, 0-3 Trucks.....	Acre	-	85.00	85.00
Plowing And Cultivating				
Plowing, Moldboard Plow:				
Spring, Stubble.....	Acre	8.00	7.80	7.90
Sod.....	Acre	9.10	8.60	8.80



Fall, Stubble.....	Acre	8.05	8.00
Sod.....	Acre	9.20	9.00
Plowing, Deep (10 Inches Or More).....	Acre	9.50	9.65
Plowing, Disk.....	Acre	8.15	8.30
Disking, Tandem.....	Acre	5.50	6.00
With Harrow Or Cultipacker.....	Acre	6.00	6.70
Harrowing:			
Spike Tooth.....	Acre	4.20	3.85
Spring Tooth.....	Acre	4.65	4.75
Cultivating.....	Acre	5.75	5.55
Planting And Drilling			
Planting Corn With Fertilizer:			
Conventional-Till Planting.....	Acre	5.90	6.20
Reduced-Till Planting.....	Acre	9.15	8.75
Planting Soybeans, Without Fertilizer.....	Acre	6.00	5.90
Drilling Small Grain:			
Without Fertilizer.....	Acre	\$ 4.80	\$ 5.20
With Fertilizer.....	Acre	5.20	6.10
With Fertilizer And Cloverseed.....	Acre	6.00	6.40

The cuckoo bird is not crazy

WASHINGTON, D.C. — The word "cuckoo" may be synonymous with "crazy" in American slang, but the European bird known as the cuckoo is far from crazy.

In fact, the cuckoo is so clever that it tricks other birds into raising its young, the National Wildlife Federation reports. Apparently convinced that parenthood is for the birds — other birds — the mother cuckoo lays her eggs in other birds' nests, then flies away forever.

That way, the cuckoos avoid the work of building nests and also the responsibilities of parenthood — such as feeding their young. It's a lazy, parasitic life, by human standards, but it seems to agree with the bird that is famous for its monotonous call and its appearance in Swiss wall clocks.

The European cuckoo, is so clever, that it doesn't pick just any bird to raise its offspring.

While different varieties of European cuckoos lay eggs of different colors, each cuckoo lays her eggs only in the nests of birds whose eggs most nearly resemble her own. A cuckoo that lays bluish eggs lays them in nests of a warbler that lays bluish eggs. One whose eggs are speckled deposits them only in the nest of another bird who lays speckled eggs.

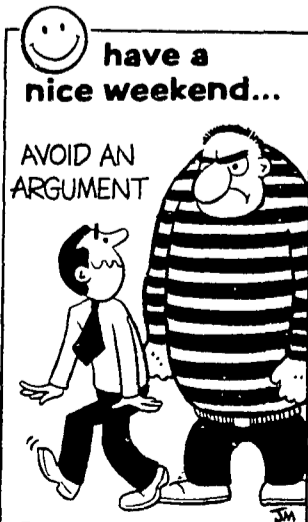
If there is another egg in the chosen nest, the female cuckoo carries it away or swallows it, explains the National Wildlife Federation. So although she won't be around when her egg is hatched, the mother cuckoo plans for her offspring's future by making sure it won't need to compete for food.

In keeping with its mother's plan, a newly hatched cuckoo pushes any remaining eggs or other young birds out of the nest. It edges anything in the nest onto its back, and then rises up until the egg or young bird tumbles over the edge of the nest.

This ejection of all rivals is important to the young cuckoo, for it often grows to be much larger than its foster parents and needs all the food they would normally bring to their brood of four or five.

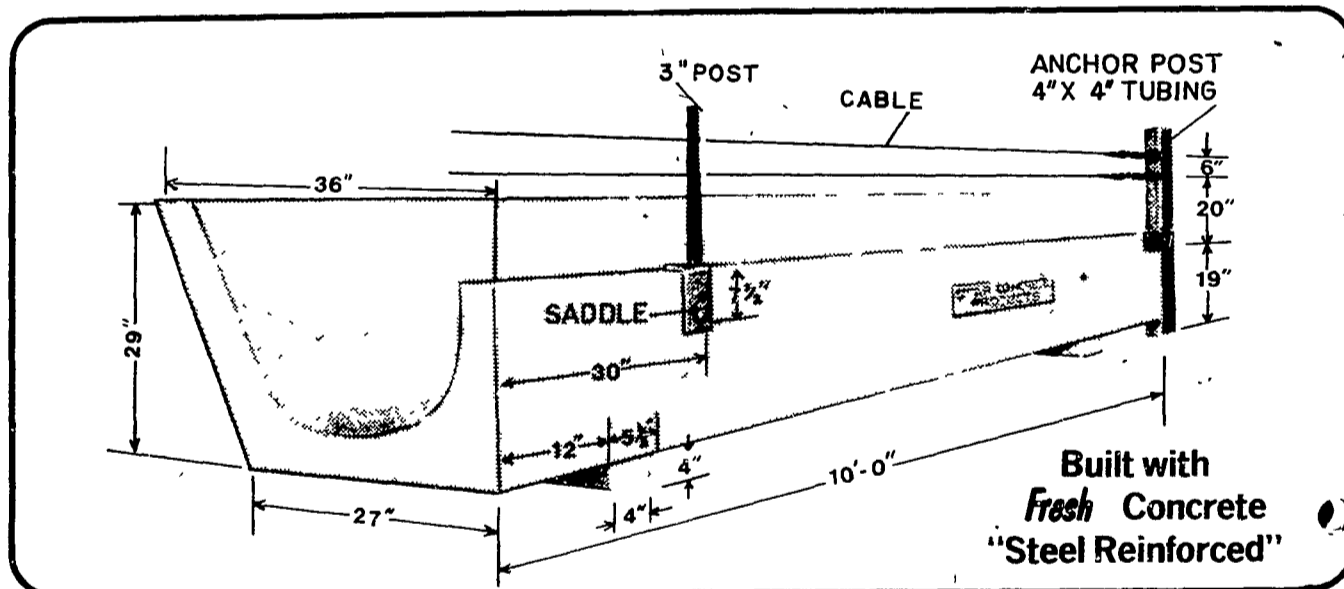
What about the European cuckoo's American cousins? "American cuckoos, at least, have better manners." They build their own rather flimsy nests of twigs in which they lay their own eggs, and they raise their own young. They also perform a valuable service because they feed on destructive tent caterpillars.

Like their European counterparts, they aren't cuckoo, according to Ranger Rick's Nature Magazine.



STAR CONCRETE PRODUCTS

STAR ECONOMY "J" Fence Line Feed Bunks



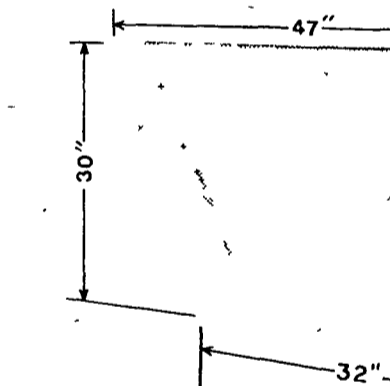
- Featuring:**
1. Medium capacity for smaller herds.
 2. Feed your cattle with your chuck wagon. No special feeding equipment required.
 3. Designed after careful study of feeding problems.
 4. Heavy steel reinforcing — for strength.
 5. Vibrated Concrete — for quality.
 6. Movable — for future expansion.
 7. No corners to retain spoiled feed.
 8. Long sloping trough back helps save feed.

Detach and mail to:
WEAVER STAR SILO, CO.
 RD 4
 Myerstown, PA 17067
STAR SILOS
 of PA.

ALLEGHENY STAR — Jackson Center Pa 16133
 412 662 2883
 NORTH STAR — Watsonstown, Pa 17777
 717 649 5151
 WEAVER STAR — Myerstown, Pa 17067
 717 866 5708

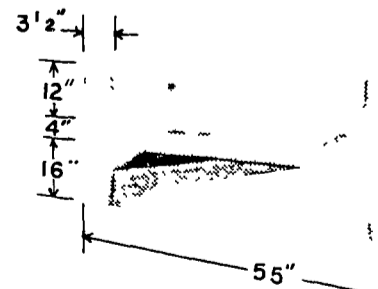
I AM INTERESTED IN:
 STORAGE FOR: _____ FEED EASY: _____
 Corn silage Silo unloaders
 Haylage Conveyors
 High moisture corn Feed-mixer wagon
 Manure Feed transit wagon
 Gunitite repairs Feeders
 (High strength concrete sprayed on surfaces)
 Please have a salesman call
 Name _____
 Address _____
 City _____ State _____ Zip _____
 County _____ Phone _____

STAR Fence



- Featuring:**
1. Large capacity
 2. Feed your calf. No special fence
 3. Designed after careful study of feeding problems.

"H" TYPE



- Featuring:**
1. Large Capacity
 2. The right height sized cattle.
 3. Heavy reinforcing
 4. Ten ft. length
 5. Movable — for