

Livestock market and auction news

Pa. Auction Summary

(Continued from Page 13)

to 2820 last week 3453 a year ago. Vealers mostly 3.00-5.00 higher. Prime vealers 125.00-140.00; Choice 105.00-128.00; Good 95.00-113.00; Standard & Good 90-110 lbs. 88.00-105.00; 70-90 lbs. 70.00-95.00; Utility 50-100 lbs. 50.00-75.00.

FARM CALVES: Active & strong. Hol. Bulls 90-120 lbs. 95.00-135.00; Hol. Heifers 90-200 lbs. 100.00-205.00.

HOGS 8029. Compared to 7186 last week and 7310 a year ago. Barrows and gilts mostly steady. US No. 1-2 200-240 lbs. barrows & gilts 46.00-47.85, few 48.60 No. 1-3 200-250 lbs. 45.00-47.00. No. 2-3 190-260 lbs. 44.00-45.75, few No. 1-3 140-190 lbs. 40.00-45.00. Sows unevenly steady. US No. 1-3 300-575 lbs. sows 37.00-43.50, No. 2-3 300-650 lbs. 32.00-40.00. Boars 31.00-40.00.

FEEDER PIGS 953. Compared to 1239 last week and 1155 a year ago. Mostly 5.00 lower. US No. 1-3 20-35 lbs. feeder pigs 20.00-35.00 per head, No. 1-3 35-50 lbs. 30.00-55.00, No. 1-3 50-75 lbs. 45.00-60.50. Graded Feeder Pigs 2944. All Sales Cwt. Compared with 3322 head last week, and 1240 head a year ago. Feeder pigs uneven, 30-40 lb. steady to 9.00 higher, 40 lb. and above weak to 9.00 lower, spots 15.00 lower. US No. 1-2 30-40 lbs. 125.00-143.00, 40-50 lbs. 110.00-132.00, 50-60 lbs. 90.00-118.00, 60-85 lb. 74.00-99.00; US No. 2-3 30-40 lbs. 100.00-130.00, 40-50 lbs. 105.00-120.00, 50-60 lbs. 84.00-105.00; Utility 25-40 lbs. 61.00-105.00.

SHEEP 1735. Compared to 4440 last week and 1890 a year ago. Bulk of supply Spring sl. lambs sold to Greek Orthodox Easter trade. Spring sl. lambs uneven, spots 16.00 higher to 5.00 lower. Choice 20-40 lbs.

120.00-150.00, few 189.00 40-60 lb. 100.00-130.00 60-80 lb. 70.00-100.00; Slaughter ewes 17.00-34.00.

Chambersburg Livestock

Chambersburg, Pa.
April 19, 1979

CATTLE 327. Compared with last Thursday's market, slaughter cows unsteady to steady 50 cents lower to 50 cents higher; few Choice YG 74.00-76.10; Good 69.75-73.00; Standard 65.50-68.00; few sl. heifers 69.00-73.25; few Good 63.25-67.50; Utility & Commercial sl. cows 58.00-64.10; Cutters 57.75-63.10; Canner & L. Cutter 54.10-58.25; Shells down to 48; few Choice sl. bullocks 69.00-72.50. Yield Grade #1 & 2 1200-1800 lbs. 70.25-74.85.

FEEDER CATTLE:

Choice & Good 350-750 lbs. steers 78.00-92.00.

CALVES 327. Vealers \$2 to \$5 higher, few Prime vealers 138.00-140.00; Choice 122.00-137.00; Good 105.00-125.00; 90-110 lbs. 93.00-100.00; 70-85 lbs. 90.00-95.00; Utility 60-100 lbs. 70.00-90.00.

FARM CALVES: Hol. Bulls 90-120 lbs. 99.00-135.00, few 139.00. Hol. Heifers 75.-150 lbs. 127.50-200.00.

HOGS 128. Barrows and gilts 50 cents to \$1.25 lower. US No. 1-2 barrows & gilts 46.85-47.85, No. 1-3 210-240 lbs. 45.50-46.35. US No. 1-3 300-500 lbs. sows 37.00-39.75, few boars 35.00-36.75.

FEEDER PIGS 70. US No. 1-3 20-30 lbs. feeder pigs \$25-\$31 per head, No. 1-3 35-50 lbs. \$35-\$55 per head.

SHEEP 17. Spring sl. lambs, few Choice 30-65 lbs. 82.50-130.00; Fall lambs, few Choice 80-110 lbs. 74.00-77.50; few Slaughter ewes \$24.00-\$30.00.



Today, April 21
Lancaster Co. Society 18 meeting, 1:30 p.m. at Grace United Church of Christ.

Berks County Hoe-Down, Hamburg Field House.

Tuesday, April 24
Berks Co. Society 12, 25th anniversary.

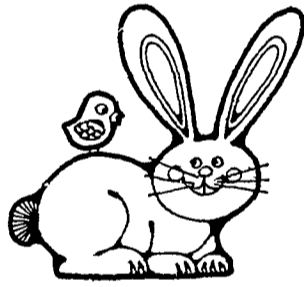
Lancaster Co. Society 27, health night, 7:30 p.m.
Berks Co. Society 3, 25th anniversary, Boyertown Sr. High School.

Wednesday, April 25
Berks Co. Society 7 dinner at Alberta Manbeck's, Womelsdorf.

Thursday, April 26
Lancaster Co. Society 28, entertains Society 18.

Lancaster Co. Society 11 craft and hobby show, Quarryville United Methodist Church.

Saturday, April 28
Lancaster Co. Society 4 Ironville United Methodist Church, entertains Society 25, 12:30 luncheon.



SMUCKER'S ENGINE SHOP

DISTRIBUTOR FOR:

SLANZI, PERKINS & LISTER DIESELS

- Good used diesel engines
- New Sputnik wheels and parts.

CALL HORNING'S WAREHOUSE 717-354-4158 or IF NO ANSWER CALL 717-354-4374

SMUCKER'S ENGINE SHOP

RD 1, GORDONVILLE, PA.

17529

SALES & SERVICE
DIESEL & GAS



DIESEL POWER




USED DIESELS
Petter PH-1 7 HP
Petter PJ-1 10 HP
Ruston 10 1/2 HP
Kirloskar 7 HP
Bernard 11 HP
Kirloskar RD-3, 33 HP
15 HP Air Compressor



LOMBARDINI DIESELS



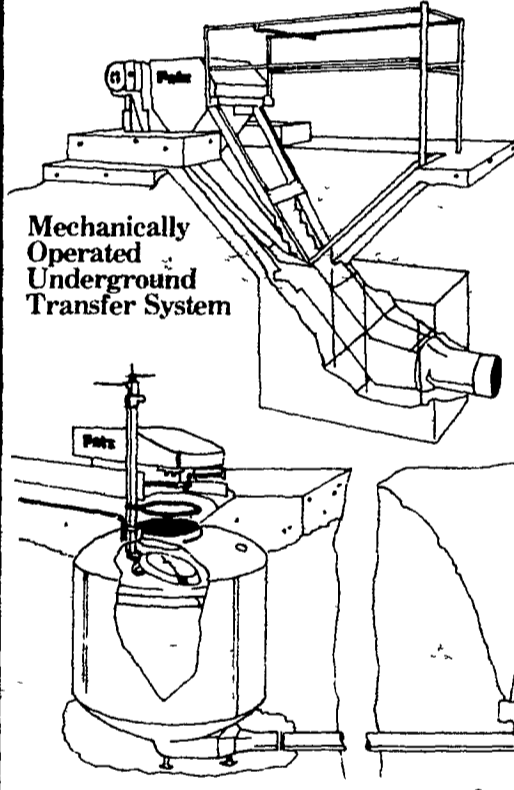
4 To 68 H.P.

**A FAIR PRICED DIESEL WITH 1 YEAR WARRANTY
IDEAL FOR MOUNTING ON EQUIPMENT**

**Let Us Know Your Service Problems.
HOOVER DIESEL SERVICE**

PH: 717-656-6133
2998 West Newport Rd. Ronks, Pa. 17572
DEALER INQUIRIES INVITED

If you're looking for an underground transfer system look to the people who specialize in manure handling.



You can depend on

Patz

Underground Air Operated Transfer System

DISTRICT MANAGER

GEORGE HEATH, 472 Woodcrest Dr., Mechanicsburg, PA 17055 -717-737-9400

ALEXANDRIA
MAX ISENBERG
717-669-4027

KIRKWOOD
LANDIS & EBSNSHADE
717-786-4158

WILLIAMSBURG
LONGENECKERS, INC.
814-793-3731

BALLY
LONGACRE ELECTRIC
215-845-2261

LEBANON
MARVIN J. HORST DAIRY EQUIPMENT
717-272-0871

MARYLAND DEALERS

HAGERSTOWN, MD
TRI-STATE FARM AUTOMATION
301-790-3698

BELLEVILLE
LUCAS BARN EQUIPMENT
814-383-2806

McALISTERVILLE
SANER FARM SYSTEMS
717-463-2606

KENNEDYVILLE, MD
PINDER SERVICE CO.
301-348-5263

BELLEVILLE
MACLAY & SON
717-935-2101

MILLERSBURG
LANDIS LABOR SAVERS
717-692-4647

LINEBORO, MD
WERTZ GARAGE, INC.
301-374-2672

CAMP HILL
LLOYD SULTZBAUGH
717-737-4554

MILTON
LANDIS FARMSTEAD AUTOMATION
717-437-2375

NEW WINDSOR, MD
TRI-COUNTY FARM AUTOMATION
301-775-7365

ELLIOTTSBURG
CARL BAER
717-582-2648

PIPERSVILLE
MOYER FARM SERVICE
215-766-8675

HAMBURG
SHARTLESVILLE FARM SERVICE
215-488-1025

TERRE HILL
TERRE HILL SILO CO. INC.
215-445-6736

STREET, MD
WALTER WEBSTER
301-452-8521