

# Livestock market and auction news

## Joliet Cattle

March 22, 1979

**CATTLE:** Friday through Wednesday's salable receipts 3,000; 5 days last week 4,415; same period last year 5,640. Slaughter steers 4.00-5.00 higher, instances 5.50 higher. Slaughter heifers 3.50-4.50. Instances 5.00 higher. Cows 1.50 to 2.00 higher.

**SLAUGHTER STEERS:** Mixed high Choice and Prime 3-4, few 5, 1150-1350 lbs. 6 loads 73.00 Monday; 75.50-76.00, 3 loads 76.00 Wednesday. Choice 2-4, 1050-1300 lbs. 71-72.50 Monday; 74-75.50 Wednesday. Mixed Good and Choice 2-4, 950-1250 lbs. 72.50-74.00 Wednesday.

**SLAUGHTER HEIFERS:** Mixed Choice and Prime 3-4, 1000-1200 lbs. 2 loads 71.50, 1 load 71.75 Monday; 3 loads 73.50 Wednesday. Choice 2-4, 830-1050 lbs. 69.50-71.00 Monday; 72-73.00 Wednesday. Mixed Good and Choice 2-3, 800-1000 lbs. 68.50-69.50 Monday; 70-72.00 Wednesday.

**COWS:** Utility and Commercial 1-3, 52-55.00, few 56.00 Monday; 53-56.00, few 57.00 Wednesday.

Market courtesy of USDA.

## St. Louis Cattle

National Stockyards

March 22, 1979

Receipts this week 6,200; week age 7,600; year ago 8,700. Compared to last weeks close, slaughter steers 3.50-4.50 higher. Slaughter heifers 2.50-3.00 higher. Cows closing 50-1.00 higher. Bulls fully steady. Slaughter supply mainly Choice and mixed Choice

and Prime 2-4 1025-1200 lbs. steers around 35 percent heifers and 15 percent cows.

**SLAUGHTER STEERS:** Mixed Choice and Prime 2-4 1050-1250 lbs. 71.50-73.50, most closing sales 72.50-73.50, few 74.00. Choice 2-4 950-1300 lbs. 69.50-73.00, closing 71.00-73.00. Mixed Good and Choice 2-4 900-1200 lbs. 68.00-71.50. Good 2-3 900-1175 lbs. 66.00-69.50. Standard to Good, few Choice 2-3 1075-1325 lbs. holsteins 63.00-66.00.

**SLAUGHTER HEIFERS:** Mixed Choice and Prime 2-4 875-1050 lbs. 68.50-70.50, mostly closing sales 69.50-70.50, few 71.00. Choice 2-4 800-1050 lbs. 67.00-70.00, closing 68.00-70.00. Mixed Good and Choice 2-3 700-975 lbs. 65.50-68.00. Good 2-3 700-950 lbs. 62.50-66.50.

**COWS:** Utility and Commercial 2-4 50.00-55.50. Boning Utility 1-2 54.00-56.50. Late 55.50-56.50. Cutter 1-2 48.00-54.00. Canner and Low-Cutter 1-2 43.50-49.00.

**BULLS:** Yield Grade 1-2 1050-1900 lbs. 61.00-67.00, closing 62.00-67.00. Yield Grade 1 1600-2100 lbs. 68.00.

**FEEDER CATTLE:** Including about 2500 at regular Thursday auction. Feeder Steers and Heifers unevenly 2.00-4.00 lower, instances 5.00-8.00 lower on Choice kinds weighing under 400 lbs. Supply mainly Choice and mixed Good and Choice 400-700 lbs. steers and 350-600 lbs. heifers.

**FEEDER STEERS:** Choice 300-400 lbs. 95.00-102.50, 400-500 lbs. 92.50-97.50, 500-600 lbs. 83.25-94.00, 600-700 lbs. 78.00-85.00, scattered lots 700-775 lbs. 75.00-77.50, few lots 875-950 lbs. 71.25-73.00. Mixed Good and Choice and some Choice compact 400-500 lbs. 84.75-93.00, 600-675 lbs. 75.75-78.50.

Few lots Good and Choice 375-450 lbs. holsteins 88.00-92.50, lot 850 lbs. 71.00.

**FEEDER HEIFERS:** Choice 300-400 lbs. 82.50-89.00, 400-500 lbs. 76.50-87.00, 500-600 lbs. 73.50-77.00, few lots 600-700 lbs. 67.50-75.00. Mixed Good and Choice 350-500 lbs. 70.00-78.00.

Market courtesy of USDA.

## Leesport Auction

Leesport, Pa.  
March 21, 1979

**CATTLE 297.** Supply included 66 head feeder cattle. Compared with last Wednesday's market, slaughter steers \$3.50-\$5 higher. Slaughter heifers \$1 higher. Slaughter cows steady to 75 cents higher. Choice 1050-1400 lbs. slaughter steers 71.00-73.25, few to 73.85, Good 69.00-71.25, few Standard 64.10-68.25, few Utility 60.00-65.50. Choice 875-1100 lbs. slaughter heifers 65.10-67.25 few to 69.00, few Good 60.00-65.00. Utility and Commercial

slaughter cows 54.00-57.75, few to 59.00, Cutters 51.00-55.00, few Canner and Low Cutters 49.00-52.25. Few Good and Choice slaughter bullocks 69.75-73.50, few Standard 63.00-66.00, few Utility 60.00-63.00. Few Yield Grade No. 1, 1300-2224 lbs. slaughter bulls 65.00-65.50, #2, 1170-1450 lbs. 57.00-64.25. Few Choice 430-500 lbs. feeder steers 97.00-100.00, Good 350-700 lbs. 68.00-86.00. Few Choice 350-600 lbs. feeder heifers 79.00-92.00. Few Choice 350-400 lbs. feeder bulls 110.00-113.00, few Medium and Good 600-850 lbs. 58.00-68.00.

**CALVES 155.** Few Choice vealers 103.50-123.00, Good 101.00-105.50, few Standard and Good 110-130 lbs. 99.00-102.00, 90-110 lbs. 90.00-99.00, 70-85 lbs. 79.00-87.00, Utility 65-90 lbs. 40.00-76.00. Farm Calves: Holstein bulls 90-140 lbs. 98.00-118.00; Holstein heifers 90-175 lbs. 100.00-175.00, few 200.00.

**HOGS 320.** Barrows and gilts \$2-\$2.25 lower. US No.

1-2 200-235 lbs. barrows and gilts 48.75-49.25, No. 1-3 185-245 lbs. 48.00-49.00, No. 2-3 215-275 lbs. 45.00-48.00, few No. 1-3 155-185 lbs. 45.00-47.50. Sows steady. US No. 1-3 300-550 lbs. sows 40.75-43.25, individual 44.50. Boars 36.00-40.00, few light weights 41.00-42.75.

**FEEDER PIGS 119.** US No. 1-3 35-55 lbs. feeder pigs 117.00-136.00 per hundredweight, few No. 1-3 65-85 lbs. 82.00-97.00 per hundredweight.

**SHEEP 54.** Choice 50-70 lbs. spring slaughter lambs 98.00-117.00, one at 119.00. Slaughter ewes 26.00-41.50.

## HEAT FOR FREE!

(ALMOST)



WITH THE HOOTER HEATER

"The Waste Oil Eater"

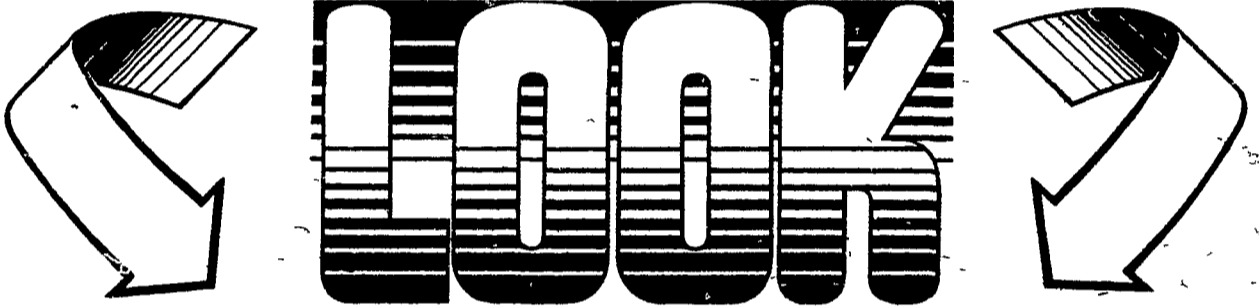
• Saves on fuel bills by using dirty crankcase oil, transmission fluid, contaminated hydraulic fluid. Anything from 10 wgt. to 90 wgt.

• Smokeless, odorless, easy to install, 5 year warranty  
• Commercial and industrial applications, primarily

FOR A FREE DEMO, CALL 717-656-2366

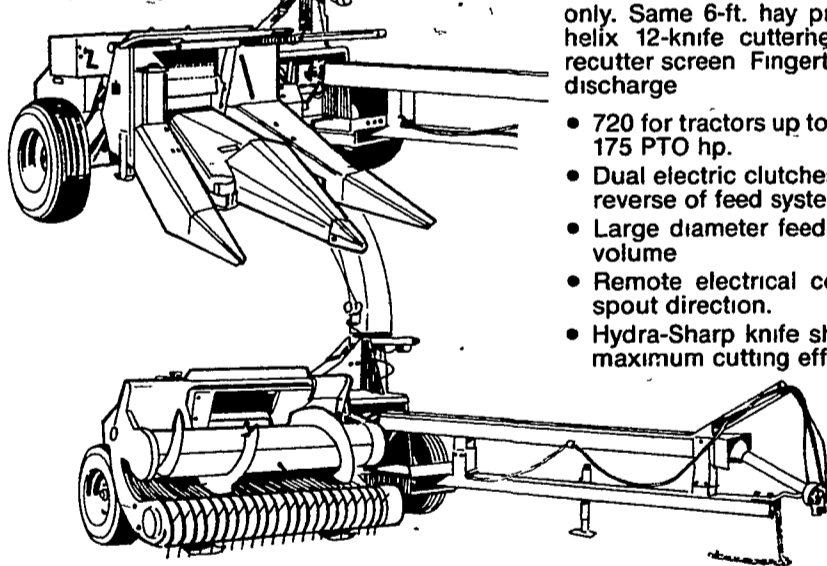
**LUKE B. HOLLINGER**

2476 Creek Hill Rd.  
Lancaster, PA 17601



## Get all-crop versatility, plus electrically controlled feeding and discharge

International®  
720 and 830  
Forage  
Harvesters



High capacity. Fine-cut performance. Simple, easy control. All help make your harvest more productive, more profitable. Interchangeable quick-attach drive-in crop units for row crops or hay pickup. Row crop, 2-row adjustable for wide or narrow rows fits 720 and 830, 3-row narrow for 830 only. Same 6-ft. hay pickup fits both. High speed, high-helix 12-knife cutterheads cut 3/16-in lengths without recutter screen. Fingertip electric controls feeding and discharge

- 720 for tractors up to 130 PTO hp., 830 for tractors up to 175 PTO hp.
- Dual electric clutches, remote controlled for start, stop, reverse of feed system.
- Large diameter feed rolls automatically adjust to crop volume
- Remote electrical control of discharge deflector and spout direction.
- Hydra-Sharp knife sharpener bevels as it sharpens for maximum cutting efficiency

Waiver of Finance  
Until 8-1-79  
IHCC Financing at  
Least 12 Months.

2 NEW 720 FORAGE HARVESTERS (1 540 & 1 1000 RPM PTO)

W/CYLINDERS, HOSES, COUPLERS \$4995<sup>00</sup>

IH HAY PICKUP  
ATTACH. NEW, FOR  
720 FORAGE HARVESTER

\$995<sup>00</sup>

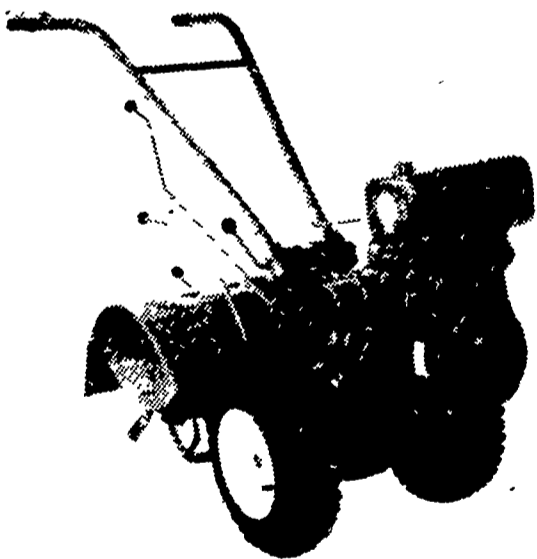
IH 2 ROW CROP  
ATTACHMENT FOR 720  
FORAGE HARVESTER

\$1595<sup>00</sup>

IH 6 FT. CUTTER BAR  
ATTACH. - NEW, FOR 350  
FORAGE HARVESTER

\$450<sup>00</sup>

WE HAVE  
TROY-BILT TILLERS  
IN STOCK



OPEN HOUSE

MARCH 29, 30 & 31

Free Coffee & Donuts

Register for door prizes

Hollinger's

717 738 1131 FARM MARKET  
1755 WEST MAIN ST



INTERNATIONAL  
AGRICULTURAL  
EQUIPMENT

WM. HOBENSACK'S SONS

1060 Greeley Ave.  
Ivyland, PA 18974

215-675-1610 215-343-2101