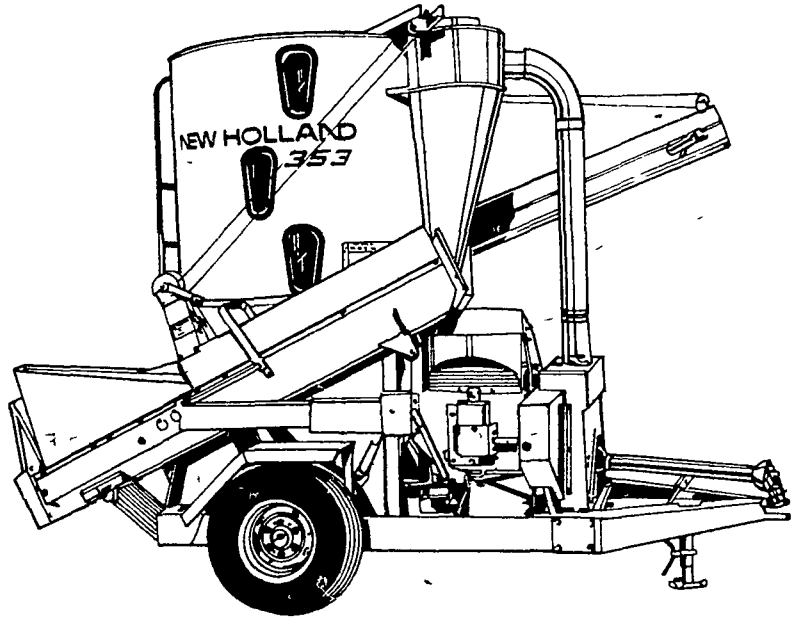
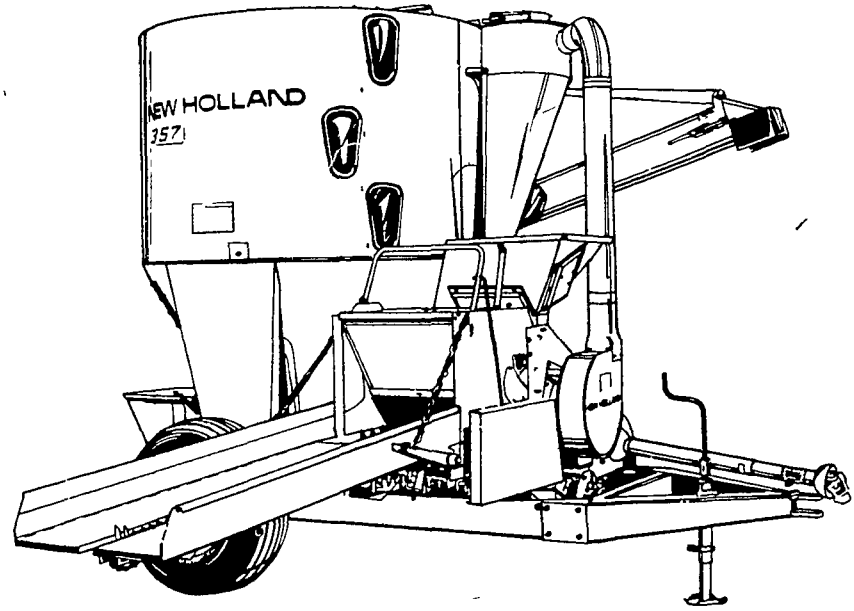


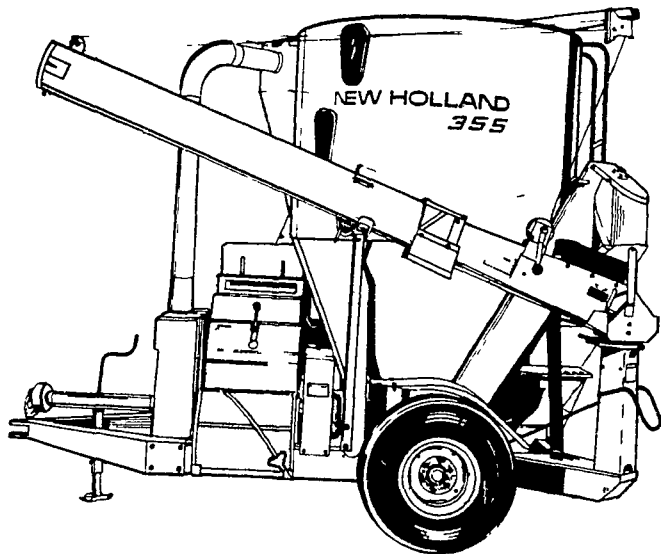
THERE'S A SPERRY NEW HOLLAND GRINDER-MIXER THAT'S JUST RIGHT FOR YOUR OPERATION!



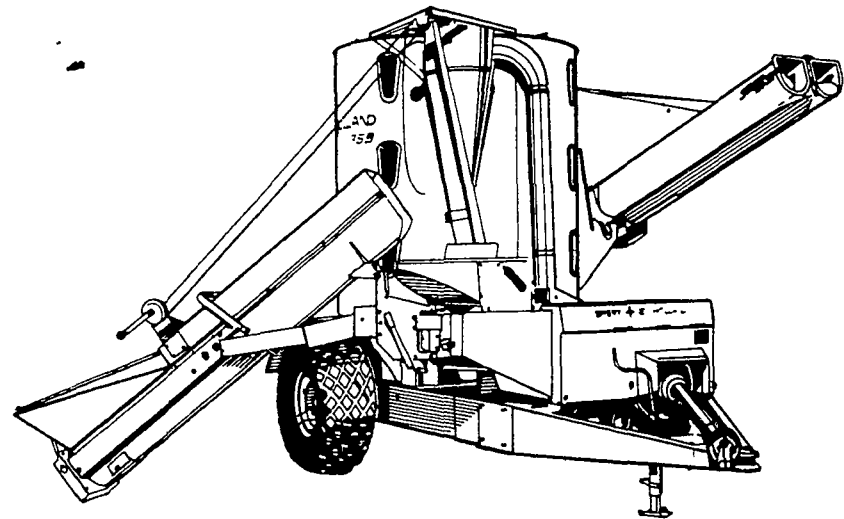
80-bushel Model 353 Grinder-Mixer
• 16-inch hammermill
• 10', 13', 17' or 20' unloading auger



120-bushel Model 357 Grinder-Mixer
• 21-inch hammermill
• 10', 13', 17', or 20' unloading auger
• Optional electronic scale for accurate control of rations

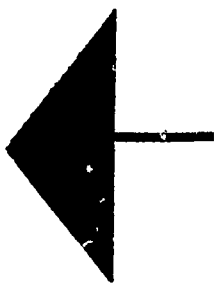


100-bushel Model 355 Grinder-Mixer
• 21-inch hammermill
• 10', 13', 17' or 20' unloading auger
• Optional electronic scale for accurate control of rations



150-bushel Model 359 Grinder-Mixer
• Big 25-inch hammermill
• Built for 1,000-rpm tractors
• 12' or 20' unloading auger

**Cash in on the extra value you get by using your own grains!
And you can grind and mix them into the form that's most usable
and profitable for your livestock operation.**



**For a demonstration on your farm, call
your nearby SPERRY NEW HOLLAND
Dealer listed on the facing page.**

SPERRY  NEW HOLLAND