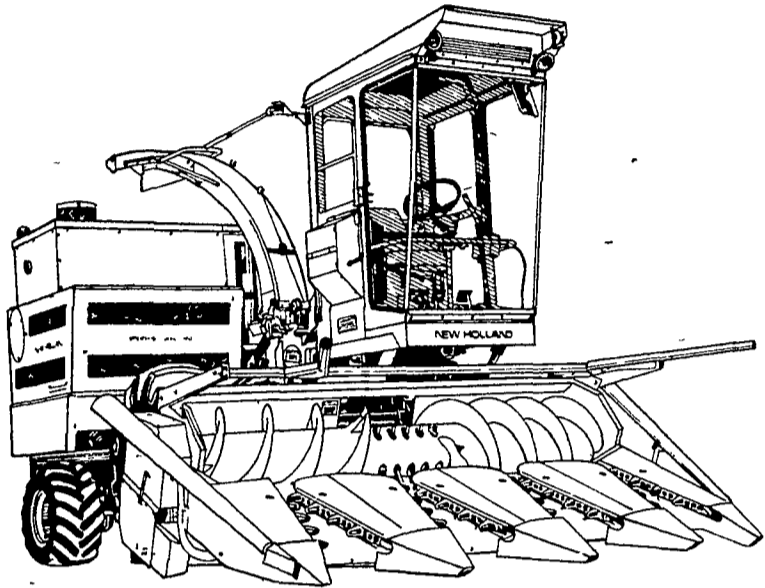
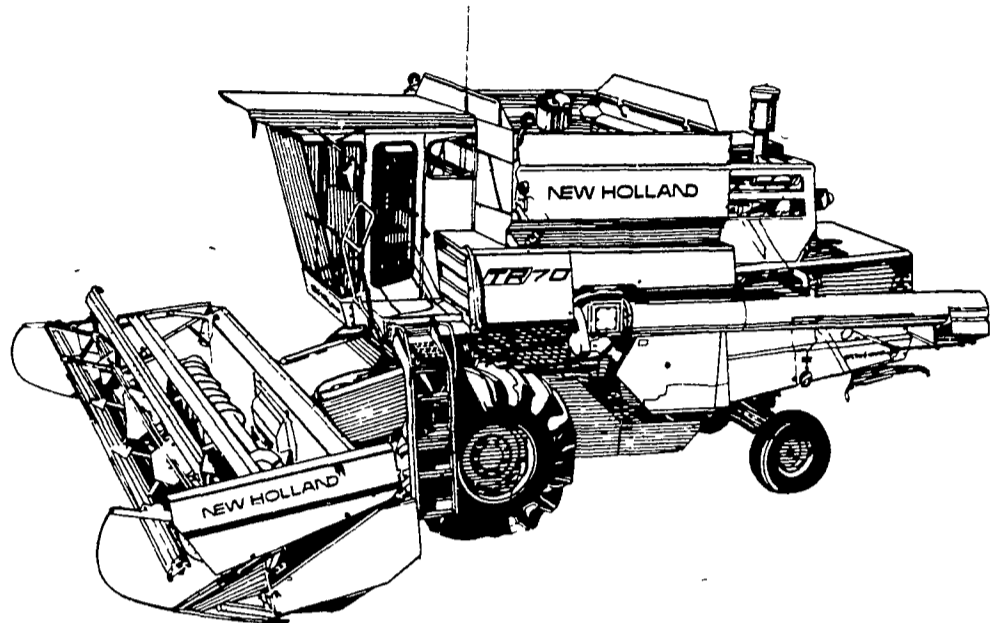


COME TO THE FARM SHOW — see what's new at Sperry New Holland!

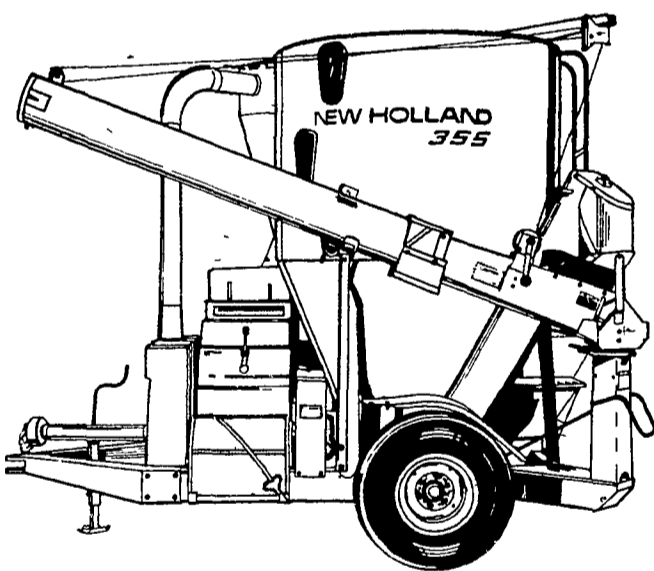
Your Sperry New Holland dealers invite you to the 1979 Pennsylvania Farm Show. See the latest models on display for the first time in this area!



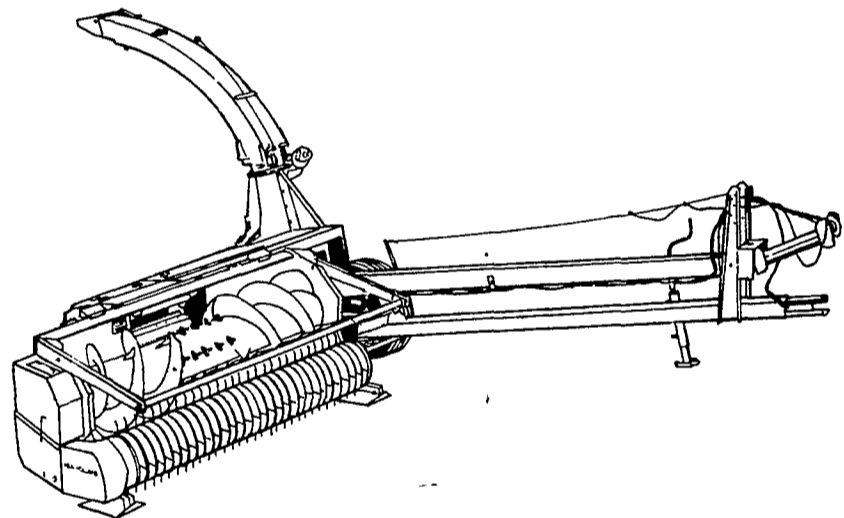
See the "1895" SP-Harvester with electronic metal detector that prevents ferrous metal objects from entering the 12-knife cutterhead. New-concept interchangeable crop head!



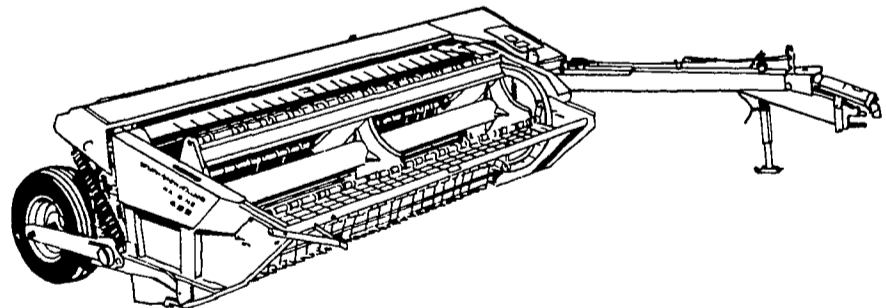
See the inside of the field-proven TR™70 Twin Rotor™ Combine: the spinning rotors, threshing concaves, separating grates, and discharge beater that mean less grain loss, less crop damage.



See the "355" Grinder-Mixer with electronic scales to weigh your grain and processed feed. Test the accuracy of the scales — check your exact weight before and after lunch!



See the new "892" Forage Harvester with flip-up feed roll which makes shear-bar adjustment easier than ever! Cutaway model with live electronic metal detector will be on display.



See the field-proven "489" Haybine® Mower-Conditioner with conditioning rolls mounted in the main frame to improve flotation and reduce guard damage. Watch the header float!



Don't miss these and many other attractions! Sperry New Holland representatives and many of your dealers listed on the facing page will be there to greet you, and answer questions about your equipment needs.

SPERRY  NEW HOLLAND