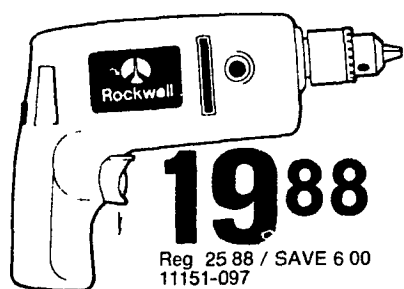


CENTRAL TRACTOR FARM & FAMILY CENTER

Christmas TREATS



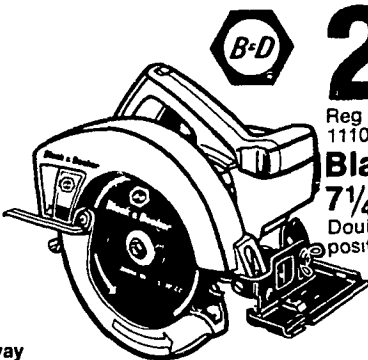
Hurry!
Sale prices good only through Sat., Dec. 23, 1978



1988

Reg 25 88 / SAVE 6 00
11151-097

Rockwell 3/8" Variable Speed Drill
A superb tool with big 2.7 amp motor. Drives and removes screws. Drills wood, metal, masonry, glass. 6' cord. Double insulated. UL listed.



2488

Reg 28 88 / SAVE 4 00
11104-097

Black & Decker 7 1/4" Circular Saw

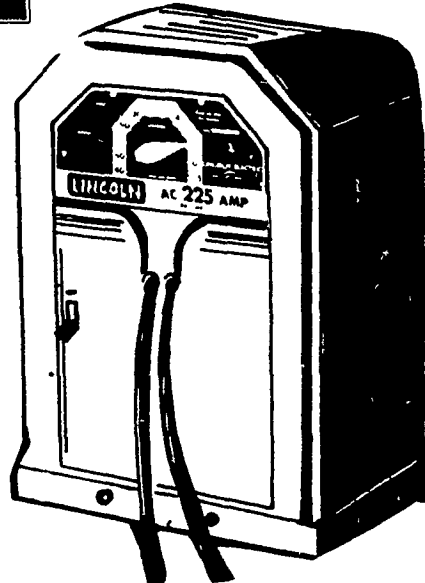
Double insulated front handle for positive control. Ejection chute.

1199

Reg. 127.99 / SAVE 8.00
18040-115

Lincoln 225 Amp Arc Welder

Includes ground clamp, insulated electrode holder, 15' electrode cable, 10' ground cable, 6' input cable with plug, female receptacle and helmet. Uses 220 volt, 60 cycle power source. Wheels not included.



8999

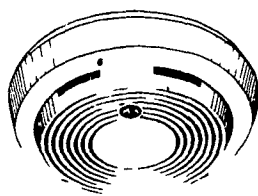
Reg 99 99 / SAVE 10 00
'73-78 Chevy & GMC 25157-314

9999

Reg 109 99 / SAVE 10 00
'73-78 Ford 25158-314
'72-78 Dodge 25159-314

Aluminum Pickup Running Boards

Protects body from rock chips and mud splattering. Appearance of chrome-like finish but will not rust or peel. Mounting brackets and hardware included.



Get a \$5 rebate from Pittway on a First Alert™ smoke detector

1588 Sale Price
500 Rebate

1088

Your Cost

First Alert Smoke & Fire Alarm model SA76RS. Pick up your \$5 rebate coupon at Central Tractor Farm & Family Center and mail it to manufacturer for rebate. Offer good only on purchases made before Dec. 31, 1978. Limit 3. Regular price 17 88. 51131-323

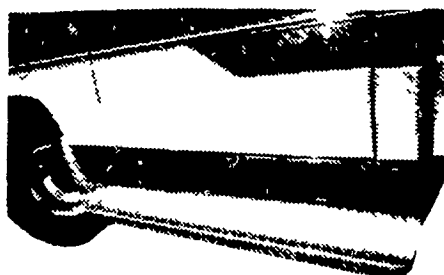


1299

Reg 15 99 / SAVE 3 00

Insulated Nylon Jacket

Available in sizes S, M, L, XL.
Black 3120000-168
Brown 3260000-168



Towing Chain

5/16" x 14'
10608-072 Reg 14 88

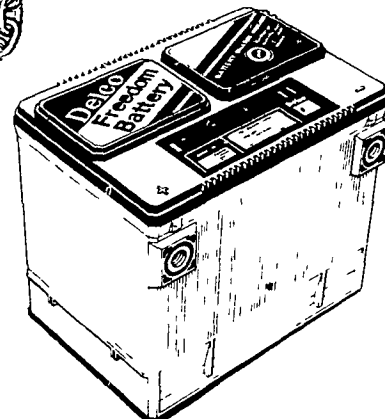
SALE **1288**

3/8" x 14'
10600-072 Reg 18 88

SALE **1588**

1/2" x 14'
10604-072 Reg 47 88

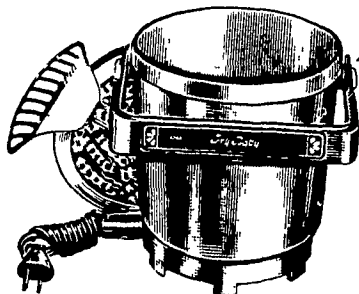
SALE **3888**



12 Volt Delco Freedom Batteries

Never needs water or regular service. These batteries stay charged when not in use with plenty of power for cold weather starting.

		60 Month Battery		40 Month Battery		
Group	Size (inches)	Cold Crank Amps 0*	Terminal Type	Stock No	Reg. Outr	SALE Exch.
24F	10 6x6 8x8 9	505	Top	53001-365	67 59	57.59
22F	9 4x6 8x8 4	405	Top	53019-365	59 79	50.49
24	10 2x6 8x8 9	505	Top	53026-365	67 59	57.59
27	12 0x6 8x8 9	505	Top	53033-365	68 99	58.99
27F	12 4x6 8x8 9	505	Top	53041-365	68 99	58.99
71	8 1x6 8x8 5	350	Side	53058-365	55 49	46.49
73	9 0x6 8x8 5	430	Side	53065-365	62 59	52.99
74	10 2x6 8x8 5	505	Side	53072-365	67 59	57.59
24F	10 6x6 8x8 9	300	Top	53124-365	50 89	42.29
24	10 2x6 8x8 9	300	Top	53100-365	50 89	42.29
74	10 2x6 8x8 5	300	Side	53117-365	50 89	42.29

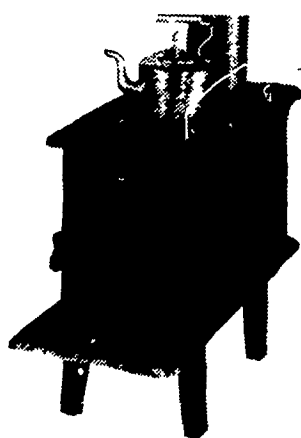


1197

Reg 17 99 / SAVE 6 02
51207-323

Presto Fry Baby™ Deep Fryer

French fry anything with the Model FBD1 perfect for singles, couples, students, who want a serving or two in a jiffy. Fries with only 2 cups of oil. Non-stick hard surface inside and out for easy cleaning.



5499

Reg 66 50 / SAVE 11 51
12004-340

Wood Burning Boxwood Stove

Reliable, just load it with wood unaffected by power loss or fuel shortages. Ideal for heating an addition, room, garage, basement or cabin.

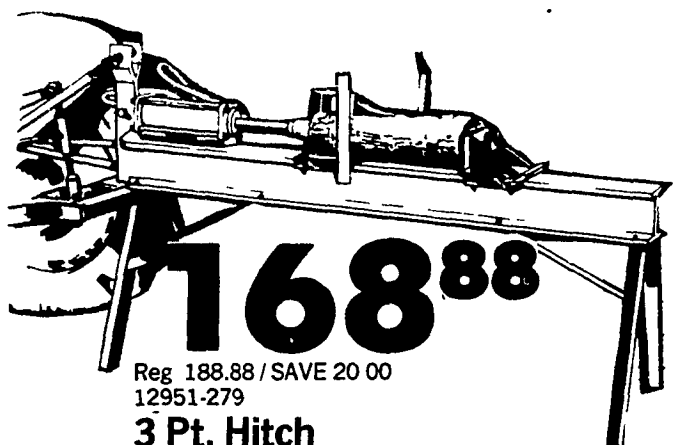


7495

Reg 84 95 / SAVE 10 00
27918-098

Homelite XL® 10

Homelite's economy priced chain saw. Lightweight for easy operation. Powerful enough to tackle a wood lot. Automatic chain oiling.



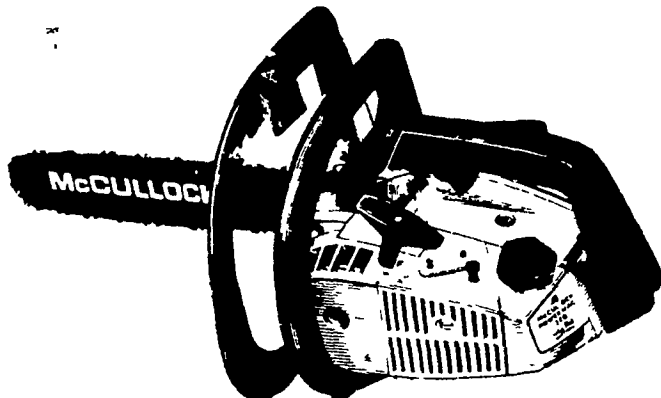
16888

Reg 188.88 / SAVE 20 00
12951-279

3 Pt. Hitch Wood Splitter

Fits category 1 or 2, allows you to split a cord of wood in less than an hour. Exclusive quick adjust backstop, heavy duty construction, can be used free standing with ground stand or mounted on tractor. Uses 8" to 18" stroke hydraulic cylinder. Does not include cylinder, valve, hoses, or stand.

Stand for above 12953-279 **28.99**



15495

Reg. 169 95 / SAVE 15 00
27948-098

McCulloch Power Mac 320

Features automatic chain sharpening, 2.1 cu. in. engine with solid state ignition, 16" sprocket tip bar, auto and manual chain oiling.

FARM & FAMILY CENTER

LANCASTER

1570 Manheim Pike, Hwy. 72 North
Ph: 717-569-0111

Sale Hours:
8 to 6:00 Monday - Thursday
8 to 6 Friday; 8 to 5 Saturday

CHAMBERSBURG

1351 Lincoln Way East
Ph: 717-264-8282

Sale Hours:
9 to 6 Monday - Thurs.
9-9 Friday
9-5 Saturday