

Maryland wins 6th in poultry contest

COLLEGE PARK, Md. — This year's Maryland 4-H poultry and egg judging team finished a respectable sixth in the national contest, held November 16 in connection with the North American Livestock Exposition at Louisville, Ky.

The team placed third among 18 competing state teams in judging market poultry.

Debbie Jackson, 14, of Port Deposit, likewise placed third among all individuals in the market poultry division, and she was sixth in judging eggs.

Craig Banks, 15, of Pocomoke City, placed tenth in egg judging at the national contest.

Other members of the Maryland team were Robert Dowling, 18, of Montpelier and Ellen D. Brown, 15, of Rising Sun.

The Maryland team members had been top four individuals in senior 4-H poultry and egg judging competition on August 29 during the Maryland State Fair in Timonium. Miss Brown and Miss Jackson were also members of Cecil County's state championship team.

Coaching this year's Maryland team in national competition was Dr. Charles J. Wabeck, Extension poultry science specialist at the University of Maryland's Eastern Shore research substation near Salisbury.

Assisting with the team's

pre-contest training were William C. Merka, Extension poultry science specialist at the University of Maryland in College Park, and Thomas O. Meredith, Jr., of Cordova, Maryland egg law supervisor for the State Department of Agriculture.

Also, Theodore A. Haas of Snow Hill, Extension 4-H and youth agent in Worcester County, and Janet L. Shank of Elkton, Extension agricultural and 4-H agent in Cecil County.

Maryland 4-H poultry and egg judging teams have won national championships at least five times in the past 42 years. This record includes victories in 1937, 1949, 1956, 1961 and 1962.

During the era from 1928 to 1940, the state's 4-H poultry and egg judging teams never finished lower than third in national competition, according to Wade H. Rice, Upper Marlboro, Extension poultryman at the University of Maryland in College Park from 1922 to 1961.

Roscoe N. Whipp, Rockville, recalls that he was a member of a Rice-coached team which won the national 4-H poultry and egg judging contest in 1937. And he was the first-place individual in the contest. Whipp retired in 1973 after nearly 31 years as a county Extension 4-H and youth agent in Montgomery County.

Grange deliberates on national issues

DENVER, Colo. — During their fifth day of deliberations, delegates attending the 112th Annual Session of the National Grange in Denver, Colo. voted recently to support measures which would restrict the purchase of U.S. farm land by non-resident aliens for investment purposes. They also called for reducing or eliminating favorable tax treatment presently afforded foreign investors.

In an effort to further develop foreign trade the Grange favors an expansion of export credits to aid in

moving farm products into protected markets and those without adequate foreign exchange. The delegates also called for a more liberal Commodity Credit Corporation export credit policy combined with granting most-favored-nation status to the Soviet Union and the People's Republic of China. They said that this would be a means of increasing grain

and soybean export sales and help improve farm income.

They also support the passage of a counter-cyclical bill which would reduce foreign beef imports when domestic supply is in surplus and allow increased imports when domestic supply falls below the level needed to maintain adequate supplies of meat to consumers.

The Grange also called for a balanced budget and warned against reducing taxes without cutting spending at the federal level.

They also reaffirmed their support of the Capper-Volstead Act and expressed opposition to any legislation which would repeal the present provisions of the Act as it relates to agricultural co-ops.



FREY FREE STALL LIFETIME FREE STALL HOUSING



Cut bedding costs 75 per cent, reduce labor for barn cleaning and cow washing, reduce teat and udder injury to the minimum — house your milking herd in free stall housing. Each cow provided a stall for loafing. She won't be stepped on, the rear curb forces manure out into alley for mechanical cleaning or washing. A few minutes twice a day cleans the stalls and curbs, bedding lasts almost forever if your stalls fit the cows. Popular sizes are 6'6", 7' and 7'6" Size 'em by breed.

Our free stall partition may be mounted on wooden head boards or we make a steel divider. Set the legs in 8 to 10' concrete curbs to hold and retain bedding. Stall floor can be soil, sand or gravel. Bedding — straw, sawdust, peanut hulls, ground corn cobs, etc. Should be installed with paved alley surface 8 feet wide for mechanical cleaning or washing.

- 8 Models all steel welded farm & feedlot gates
- 2 Models all steel welded head catch gate

For prices, contact: Fred Frey, Mgr.
(717) 786-2146

FREY BROS.

RD2 Quarryville, PA 17566

BLIZZARD WARNING!

New ski-doo BLIZZARD®9500 PLUS

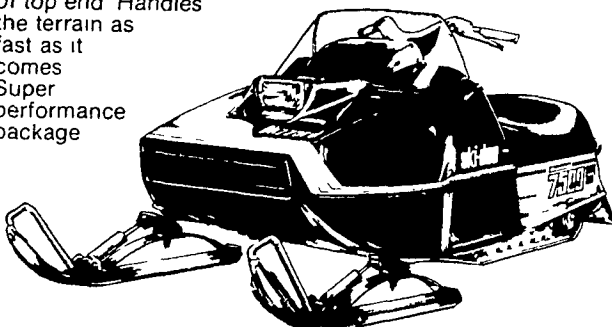
Trail Lake Flats
Own them all with the hot new twin from Ski-Doo
Liquid-cooled engine
Slide suspension,
wide-stance skis,
and racer styling
let you be
a blur on
the trail



New ski-doo BLIZZARD® 7500 PLUS

High-performance twin
Liquid cooled Dependable
Rotax power with plenty
of top end Handles
the terrain as
fast as it
comes
Super
performance
package

GoDooit.
ski doo
World's leading snowmobile



SHADY MAPLE LAWN & GARDEN CENTER

AT JOHN L. STAUFFER REPAIR SERVICE
GOODVILLE, PA PH: 215-445-6175

* Trademarks of Bombardier Limited



CASE TRACTOR

SMART BUYER'S SALE

New Case 90 Series tractor intro means big price savings on current 70 Series inventory clean-out.

Save \$\$ on 93 to 180 hp tractors

- "No-hour" units
- "Rental" units

Many with 12-speed Range Power Shift; roomy Case cab, air conditioning, deluxe swivel seats, plus many other features. Great tractors. Smart buyer's opportunity.

BUY NOW AND TAKE ADVANTAGE
OF 10% TAX INVESTMENT CREDIT



Don't wait too long
See your Case Dealer today!

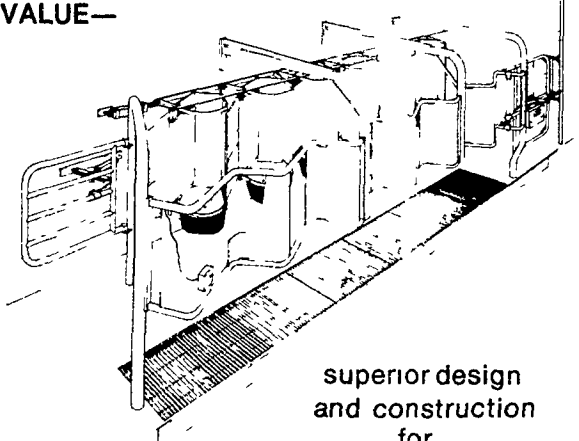
A.L. HERR & BRO.

312 Park Ave., Quarryville, PA
Phone: 717-786-3521



BOU-MATIC MILKING SYSTEMS

BOU-MATIC DELIVERS LONG LASTING
VALUE—



superior design
and construction
for
faster, easier milking—

with

**BOU-MATIC HERRINGBONE
PARLOR STALLS—
STANDARD or UNITIZED.**

with standard features like:

- WIDE 44" STALL SPACING
- TOUGH, HOT-DIPPED GALVANIZED PROTECTION THROUGHOUT
- SMOOTH OPERATING MANUAL ENTRANCE AND EXIT GATES

And a complete line of simple-to-install convenience options:

- POWERED FEED BOWL COVERS
- STEEL CURBS AND GRATES
- POWER GATE KITS
- AUTO GATE KITS
- AUGER OR ELECTRIC FEEDERS
- C.I.P. JETTER WASHERS

**LANDIS FARMSTEAD
AUTOMATION**

Milton, Pa.
(717) 437-2375

**JONES
DAIRY SERVICE**

Lester Jones, Jr.
Medford, N.J.
(609) 267-5246

LLOYD E. KREIDER CO.

Cochranville, Pa.
(215) 932-4700

**SANER
FARM SYSTEMS**

McAlisterville, Pa.
(717) 463-2606

**CUMBERLAND
DAIRY SERVICE**

Larry Hughes
Chambersburg, Pa.
(717) 263-0826

SHENK'S FARM SERVICE

Litz, Pa.
(717) 626-1151

LAWTON'S DAIRY EQUIP. & REFRIGERATION

Wellsboro, Pa.
717-724-3015