

Keystone livestock show opens Nov. 4

HARRISBURG - The 1978 Keystone International Livestock Exposition, will be featuring a few changes and additions as the Exposition doors open Saturday, November 4, at the Harrisburg Farm Show Building.

For the first time, separate junior breeding sheep classes will be offered, open to junior breeders any breed supporting the show. Another new attraction will be the Keystone Junior Livestock Meats Judging



wethers on foot, the junior market lambs, and the junior breeding sheep.

Carl Bradford of Wooster, Ohio will judge the Oxford and Dorset breeding classes on Monday while Briggs judges the Cheviot and Southdown breeding classes.

On Tuesday, November 7, Bradford will judge the Columbia, Corriedale, Merino, and Rambouillet breeding classes.

The open horse show competition begins at 12 p.m. on Saturday, November 4, with the Paint Horse Show. Judge Timothy R. Beesley from Kernersville, N.C. will begin with the breeding division and continue on with performance division.

On Sunday, November 5, Beesley will begin with the Quarter horse breeding division followed by the Quarter horse performance division.

John L. McCauley from Philadelphia will judge the Arabian show on Monday, November 6, at 8:30 a.m.

On Tuesday November 7, James Keiser of Ames, Iowa will make the placing for the Arabian show.

The junior beef breeding show leads off the beef competition on Sunday November 5 starting at 12 p.m. This will be followed by the junior steer show.

Herman Purdy of Alexandria will do the judging. On Monday, November 6, Purdy will judge the feeder calves at 8:30 a.m. and open class steers at 10 a.m.

Gail Long of Ada, Ohio will judge the Polled Hereford breeding cattle at 9 a.m. and at 12:30 p.m. A.L. Eller, Jr. will judge the Hereford breeding cattle.

Tuesday, November 7, will find Long judging the Charolais breeding cattle at 8:30 a.m. At the same time, Dave Steck from Wataga, Ill. will be placing the Shorthorn breeding cattle.

At 11 a.m., Purdy will handle the special breeds heifer show. At 12:30 p.m. Mark Richardson of Phelps, N.Y. will place the Angus breeding cattle.

Barrow competition will begin at 11 a.m., Sunday, November 5, with Dean Eddie, Storm Lake, Iowa, as judge. John Parker of Richmond, Va. will do the on foot scoring for soundness and freshness. The junior barrows, crossbreds and purebreds of other breeds and the truckloads of six market hogs will also be judged on Sunday.

At 5 p.m. the barrows will be loaded out and taken to A & B Packing where carcass information will be obtained later in the week.

Some of the other special events to be held at this year's show consists of the National 4-H and Northeast Regional Intercollegiate Horse Judging Contests and the National 4-H Horse Bowl. These contests will be held on Saturday, November 4 starting at 8 a.m.

The live hog evaluation contest will be at 12:30 p.m., Sunday, November 5.

The Ladies Lead class will be held in the sheep arena at 5:30 p.m. on Sunday, November 5. Following the Lead will be the Pennsylvania Junior sheep Shearing contest at 7 p.m. in the beef cattle arena.

The Intercollegiate and Junior Livestock Judging Contest will be held on Wednesday, November 8, starting at 8 a.m.

Various meetings and banquets will be held during Keystone International.

The Pennsylvania Livestock Association will hold its annual meeting and awards banquet on Saturday, November 4, 7 p.m., at the Crossgates Inn. Tickets at are available for \$10 each from Herbert Schick, Kutztown R2, or any other Association director.

(Turn to Page 26)

NESTOR MARTIN COAL STOVES



For Comfortable And CLEAN HEATING!

- Long continuous heating capacity
- All types equipped with thermostat
- Guaranteed efficiency 85 to 90%
- Cast iron body and firebox
- Clean and total combustion

Showroom at STILLWATER POND

Follow Signs off Rt. 501 Between Brickerville and Schaefferstown Wed., Thurs., Fri. 10-9; Sat. 10-5 Ph: 717-949-3002

contest. This is a youth activity open to all 4-H and FFA members. The contest will provide an opportunity for youth to see and judge top quality animals from across the nation, while learning about retail cuts of meat.

The very successful "Special Breeds Division" will be held for the second time this year. It is open to all breeds who maintain a national association and issue "percentage papers."

For the third straight year, the Eastern Limousin Breeders Association will hold their sale of breeding stock on Saturday, November 4. In addition, sales will be held for

yearling bred ewes on Saturday evening and for feeder calves on Monday night.

Again, this year, there will be no swine breeding classes at the Keystone International.

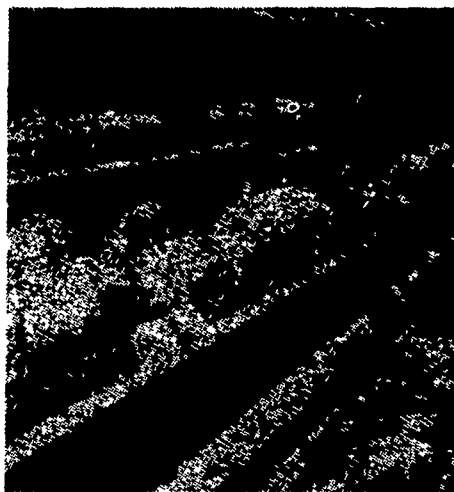
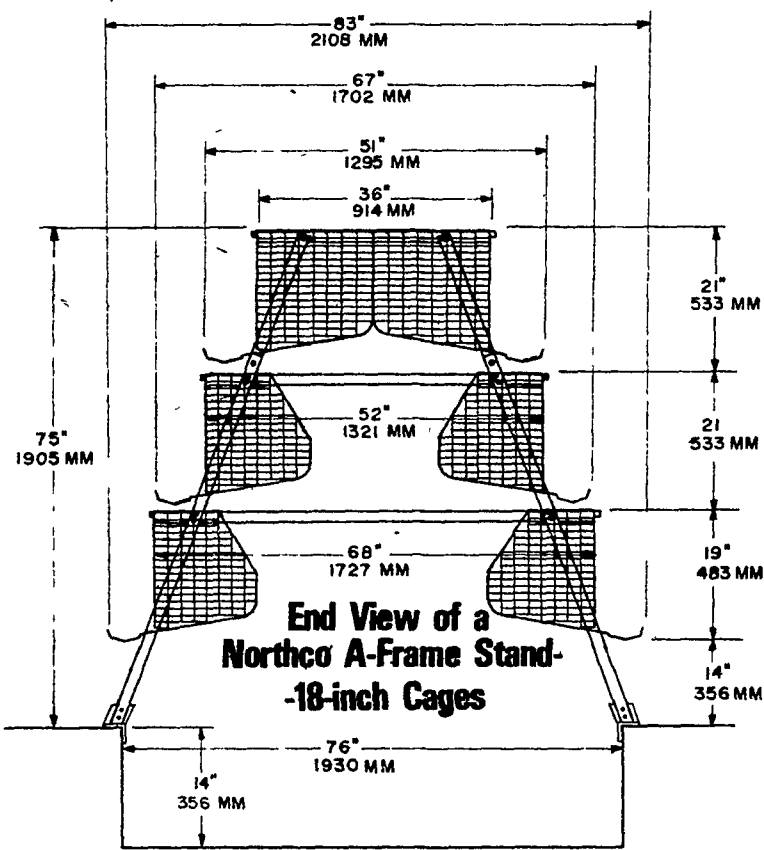
On Saturday, November 4, sheep competition will begin at 8:30 a.m. with H.M. Briggs of Brookings, S.D., and Bud Westlake from Marysville, Ohio doing the officiating. The first breeds to be judged will be the Hampshire and Shropshire followed by Suffolk breeding classes, the truckload of 15 market lambs and finally the open market lambs.

On Sunday November 5, Briggs judges the carcass

NORTHCO Slant-Back Cage Laying System

IT'S A TOTAL SYSTEM

Combine the Slant Back System with NORTHCO Cage Feeding, Ventilation, Egg Gathering and Manure Handling Systems and you have a total system engineered to provide efficiency and dependable performance.



HIGH DENSITY... LOW PROFILE

Northco's Slant-Back System is the simple way to increase profits by cutting building costs and increasing bird densities.

HIGH DENSITY - Using Northco's 18-inch (45.7 cm.) deep cages, forty thousand birds easily fit into a 40-foot (12.2 m.) wide house with a 420-foot (123 m.) long cage row. Systems with 16-inch (40.6 cm.) deep cages are even more compact. Either way the total height of the cage row is only 75-inches (191 cm.).

NO DROPPING BOARDS OR DROPPING BOARD SCRAPERS - Vinyl dropping shields on the slanted cage backs deflect manure into the pit. Manure on the shields dries and flakes off into the pit without build-up.

WELL VENTILATED - Northco's Roof Exhaust Ventilation System provides every bird on every deck the fresh air needed to minimize stress and increase production.

For more information, complete this coupon & return to: **THOMAS FARM SYSTEMS, INC.** 57 W. Main St., Leola, PA 17540

NAME _____
 ADDRESS _____
 CITY _____
 STATE _____ ZIP _____
 PHONE _____



THOMAS FARM SYSTEMS, INC.

57 W. MAIN ST.
LEOLA, PA 17540

JIM THOMAS
Phone: (717) 656-2677



10-21

Just once in a full moon do you get a deal like this!



From Madison® Silos... between right now and when the full moon rises on November 14, 1978, you can get the year's best bargain on any size 1979 Madison silo, Nutri-Matic or Grain-O-Matic.

Save hundreds, maybe thousands of dollars with special early order discounts.

Plus, receive a choice of three valuable gifts for letting us install footings this fall. Each worth about \$300 retail.

Hurry, time is running out! Call us for more details on this once-in-a-full-moon offer. But do it before the full moon rises over the barn November 14, 1978

GALEN KOPP

RD 3, BOX 710
MOUNT JOY, PA 17552
PHONE: 717-653-1567

Making things better for you.

