

Livestock market and auction news

Indiana Market

Indiana, Pa.
October 5, 1978
CATTLE 247. Compared

with last Thursday's market, sl. cows steady, spots 25 cents higher. Sl. steers few Good 49.50-51.75, few Standard 46.00-49.00, few Utility 43.25-43.75. Few Choice sl. heifers 49.25-51.50, few Good 45.00-48.25, few Standard 40.00-44.00, few Utility 37.75-38.50. Utility & Commercial sl. cows 39.50-44.25, few to 47.00, Commercial 4-5 38.00-40.00, Cutters 38.50-41.50, Canner & L. Cutter 35.00-39.25. Choice sl. bullocks 51.50-53.75, few Good 48.25-51.25; Yield Grade 1 1200-1750 lbs. 47.00-52.00, 1 Yield Grade 2 1480 lbs. 45.00.

FEEDER CATTLE: Good

& Choice 300-600 lbs. steers 51.00-67.00. Good & Choice 300-650 lbs. heifers 48.75-52.50, few Good & Choice 450-800 lbs. bulls 52.00-60.00, Common Med. 500-900 lbs. 39.00-48.00.

CALVES 136. Vealers grading good & choice \$1.50 to 3.00 higher. Standard & low good unevenly steady. Vealers, Choice 75.00-87.50, Good 68.00-80.00; Standard & Good 90-120 lbs. 65.00-75.00; 70-90 lbs. 60.00-68.00; Utility 55-125 lbs. 45.00-58.00.

FARM CALVES: Hol. Bulls 90-120 lbs. 70.00-76.50; Hol. Heifers 80-120 lbs. 72.00-90.00.

HOGS 69. Barrows & gilts US No. 1-2 200-220 lbs. barrows & gilts 53.75-54.25, couple to 56.00, few No. 1-3 200-240 lbs. 53.25; No. 1-3 150-170 lbs. 48.50-51.00. SOWS: US No. 1-3 400-500 lbs. sows 44.00-46.75. BOARS: 32.50-36.00.

FEEDER PIGS 10. US No. 1-3 25-30 lbs. feeder pigs 16.50-22.00 per head.

SHEEP 28. Spring or Woolled sl. lambs few Choice 70-80 lbs. 58.00-63.00, few Good 80-90 lbs. 48.00-50.00, few Slaughter ewes 15.50-25.00.

Special Market

September 28, 1978
Special Feeder Calf Sale
Culpepper, Va.

There were 1194 head sold. All calves were graded by Representatives of the VDACS's Division of Markets, Livestock Section on VDACS standards and sold by the hundredweight.

Steers

Choice and Fancy: 300-400 lbs. 75.00; 400-500 lbs. 74.50-78.50; 500-600 lbs. 75.00-76.75; 600-700 lbs. 66.00-70.50.

Good: 300-400 lbs. 77.00-77.50; 400-500 lbs. 75.00-77.50; 500-600 lbs. 75.00-77.50; 600-700 lbs. 62.50-68.00.

Medium: 300-400 lbs. 69.00; 400-500 lbs. 67.00-69.00; 500-600 lbs. 66.00-68.00.

Short: All weights 65.00-69.00.

Heifers

Choice and Fancy: 400-500 lbs. 62.50-65.50; 500-600 lbs. 63.50-66.50; 600-700 lbs. 60.00.

Good: 300-400 lbs. 65.00-67.00; 400-500 lbs. 65.00-67.50; 500-600 lbs. 59.50-66.50.

Medium: 300-400 lbs. 62.00; 400-500 lbs. 59.00-64.00.

Short: All weights 56.00-60.00.



RAY BRECHBILL
Lititz, PA
717-626-5266

ROBERT BAKER
Lebanon, PA
717-273-2513

NATE BUCKWALTER
Cochranville, PA
215-593-5752

EARL UMBLE
Lancaster, PA
717-393-3208

GEORGE WARNER
Codorus, PA
717-229-2134

CASSEL MUMMAU
Mt. Joy, PA
717-643-4355

JOHN RIEGEL
Sinking Spring, PA
215-678-2900

E. STUMP
Carlisle, PA
717-249-1387



"THE DIESEL WITH A DIFFERENCE"

Cuts your power costs because it's way ahead of its time on all points.

AVCO-VM diesel engines are world-proven money-savers. They deliver maximum power efficiency immediately, under any sudden load or climate variation. Their higher power to weight ratios mean NO REDUCTION IN HORSEPOWER to qualify for pollution standards.

They're stingy on fuel, too. Many users report fuel consumption CUT IN HALF — and more — compared with gasoline engines. In some installations, our diesels are delivering more than

TWICE the hours of operation per gallon of fuel.

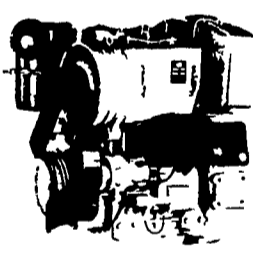
Faultless performance is the norm, rather than the exception. A choice of 27 premium quality air-cooled Avco-VM's (5 to 670-hp) means there's one that's right for your application.

Modular, unitized construction means fewer specialized parts, lower weight per hp, lower maintenance costs, 70% parts interchangeability — and they'll fit the tightest space.

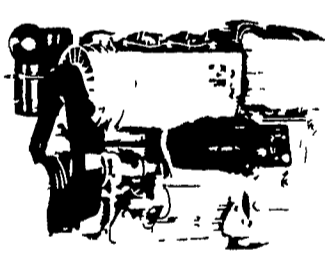
1050 SU SERIES



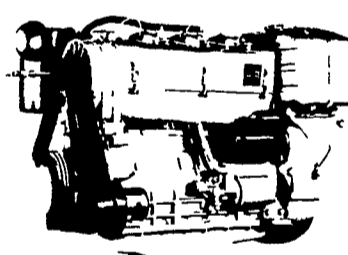
2800 R.P.M.
22 SAE HP
20 DIN HP



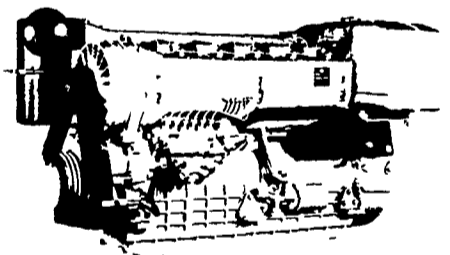
2800 R.P.M.
44 SAE HP
40 DIN HP



2800 R.P.M.
66 SAE HP
60 DIN HP

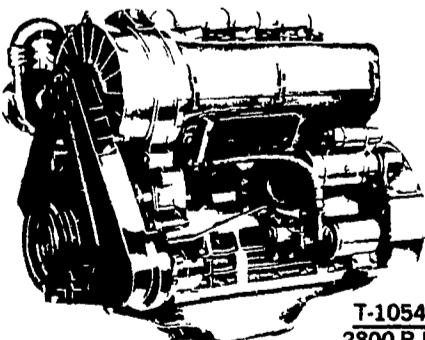


2800 R.P.M.
88 SAE HP
80 DIN HP

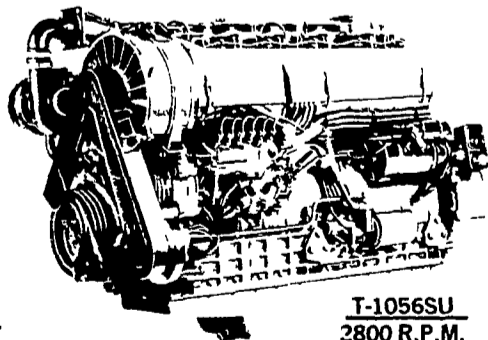


2800 R.P.M.
132 SAE HP
120 DIN HP

T 1050 SU SERIES

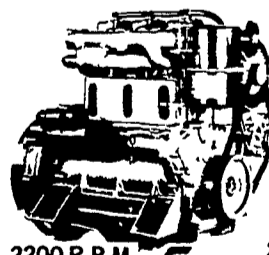


T-1054SU
2800 R.P.M.
106 SAE HP
98 DIN HP

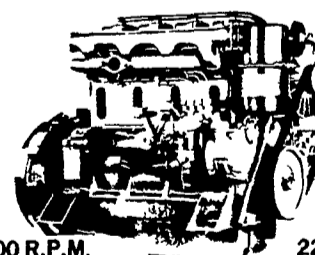


T-1056SU
2800 R.P.M.
160 SAE HP
147 DIN HP

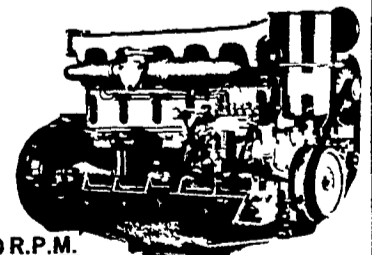
DAN SERIES



2200 R.P.M.
79 SAE HP
72 DIN HP



2200 R.P.M.
105 SAE HP
96 DIN HP



2200 R.P.M.
155 SAE HP
144 DIN HP

USED DIESELS

- 1 - Cyl. Deutz
- (2) DVA 1500 Slanzis
- (2) SR2 Lister
- ST-2 Lister - Used 8 Months

THE "RIGHT FROM THE START" DIESEL ENGINE LINE FOR FAULTLESS PERFORMANCE.

QUEEN ROAD REFRIGERATION

Box 67, Intercourse, PA 17534
Phone: John D. Weaver - 717-768-9006 or 768-7111
or Answering Service - 717-354-4374

24 HOUR SERVICE