

# Patty Greek, 17 - she grew up in town - and now has a dairy operation of her own

By JOYCE BUPP  
Staff Correspondent

**DELTA** - Six years ago, the William Greek family decided that the time had come to leave the Fallston, Md. housing development that was then home and find a quieter, more rural location.

That move north ultimately involved their children in Pennsylvania's dairying industry and propelled pretty, dark-haired Patricia to the throne of the York County Dairy Princess.

After relocating to rural southern York County, at Delta R2, son Leonard Greek, then 13, acquired a registered Holstein calf and found himself a member of the 4-H dairy clubs.

"You know how it is with brothers and sisters," recalled Patty Greek with a grin. "If Leonard had a calf, than I wanted one, too. And I became interested in dairying."

Leonard went to work part time after school for neighbors Paul and Kathy Ring of Kingway Farms. Patty's original 4-H project heifer, "Kingway KV Luscious Laurie," came from that herd, and was sired by Kingway Bess Ivan Viking.

Together, "Luscious Laurie" and Patty have won quite a collection of ribbons in youth and open class exhibiting. As a 2-year-old, the heifer took the championship of the 1977 York County 4-H show, and just last week, Laurie topped the three-and-four dry class at the York Fair.

After presenting Patty with a heifer calf, Laurie finished her first lactation with a 14,700 pound milk, 625 pound butterfat record. Patty also owns one other cow and two calves, and

participates in a variety of other 4-H activities.

Interest in the dairy business continued to grow within the Greek household. When Patty entered ninth grade at Red Lion Area High School, she followed Leonard's footsteps and enrolled in the agriculture program, while also carrying business courses.

The high school's ag curriculum put Patty in the Future Farmers of America, where she earned her Greenhand and Chapter Farmer degrees and served as parliamentarian. As a member of the chapter's dairy judging team, Patty has competed at the FFA's Penn State judging activities, and finished as tenth high individual last year, with the Red Lion team placing second in the state. She has also carried vegetable, horse and beef projects through the FFA program.

A 17-year-old senior, Patty will try this year to earn her Keystone Degree, an honor bestowed upon only a select group of outstanding FFA members from across the state.

After his graduation from Red Lion, Leonard made the decision to strike out on his own and build a dairy herd. Patty supported his goal with her enthusiasm and willingness to help and they combined their animals to form the foundation of a milking herd on the family's Pearce-Oakes property.

First, the barn on the 20-acre farm had to be remodeled, with comfort stalls and a milk house added for the dairying operation and an adjacent calf pen and maternity facility constructed for herd additions. A silo was added and 120 rented acres were included in the cropping

program to feed the small but growing registered Holstein herd.

In July of 1977, the first shipment of milk was picked up at the Greek farm by a truck from Maryland Cooperative Milk Producers of Baltimore and Leonard and Patty were in business.

Currently, the Greek barn houses 21 head of milking animals and over two dozen young heifers and calves. Corn, oats and alfalfa and timothy hay comprise the crops raised to feed the Pearce-Oakes herd.

Patty's favorite barn chores involve the milking and feeding of the cows and calves. While she does lend a hand in the field at times, the barn work is still her first choice.

"I'll help to bale and chop, but I don't particularly care for those jobs," she admitted. "Really, I prefer to be with the animals."

Following graduation next June and her busy year of representing the county's dairy farmers, Patty hopes to find a job that will combine her interest in the milk-production field with the office skills she's studying at



A transplanted suburbanite, Patty Greek has taken an exceptionally strong interest in dairying. She has her own herd, is enrolled in the vocational agriculture program at Red Lion Area High School, and participates in area shows and fairs. She is happiest when she is working with cows. This coming Wednesday she'll be competing for the title of Pennsylvania Dairy Princess.

Red Lion. She is considering taking additional courses at a specialized business school, but has not made any definite commitment toward a specific one.

The shiny crown and silky white banner of the dairy princess have taken friendly, outgoing Patty to speaking engagements with Farm Women groups, the

Grange, Bible School youngsters touring Avalong Farms dairy and cattle barns, and to several parades and cattle shows

(Turn to Page 59)



**START 'EM RIGHT**  
BETTER BEEF STOCK FOOD SUPPLEMENT

ALSO:

- ★ CATTLE WORMERS
- ★ 3-1 MINERAL BLOCK
- ★ TYLAN 200 INJECTABLE
- ★ CATTLE & HOG MINERALS

IMPROVE CORN SILAGE

USE

**NUTROLAC**  
**SILA-AID**

**AARON S. GROFF & SON**

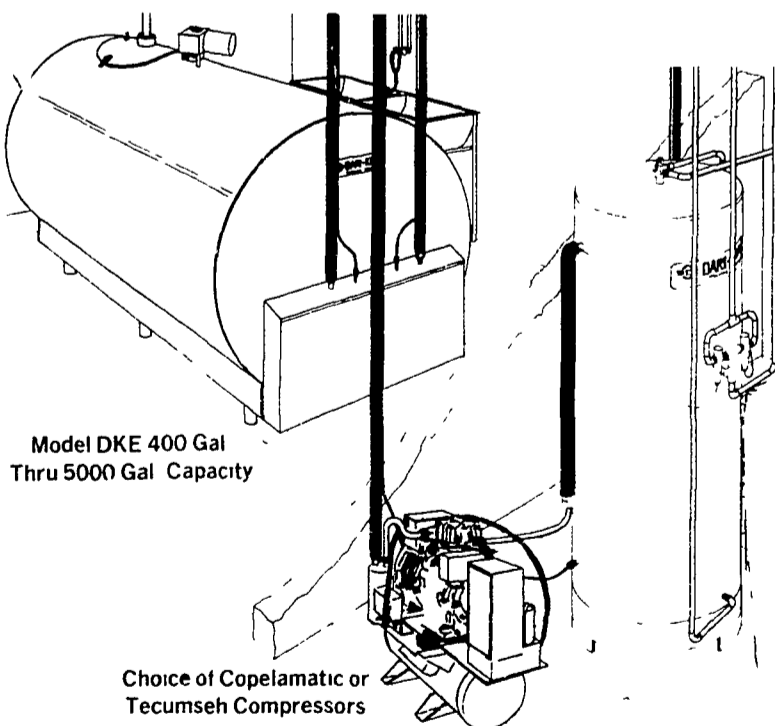
FARM & DAIRY STORE  
RD3, Ephrata, PA 17522 (Hinkletown) Ph 717-354-4631  
Store Hours 7 A.M. to 9 P.M.  
Closed Tues., Wed. & Sat. at 5:30 P.M.



**MR. DAIRYMAN...**

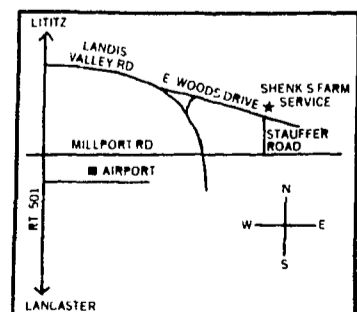
**ARE YOU TIRED OF PAYING HIGH ENERGY BILLS?**

Depending On Your Type Of Operation, You Can Pay Off A THERMA•STOR In One Year's Time On Electricity Bill Savings.



**THERMA•STOR**

IS DOING A VERY SATISFACTORY JOB ON DIESEL OPERATED BULK MILK TANKS.



ASK FOR AN APPOINTMENT TO SEE A NUMBER OF INSTALLATIONS ON DAIRY FARMS.

**SHENK'S FARM SERVICE**

SALES —  
INSTALLATION —  
SERVICE —

501 E Woods Drive

Lititz, Pa. 17543

Phone: 717-626-1151

Bulk Tanks & Therma•Stor

After 5 P.M. Call Titus Burkholder - 717-859-1620

Our Service Trucks Are Radio Dispatched

24 HR. SERVICE OFFERED