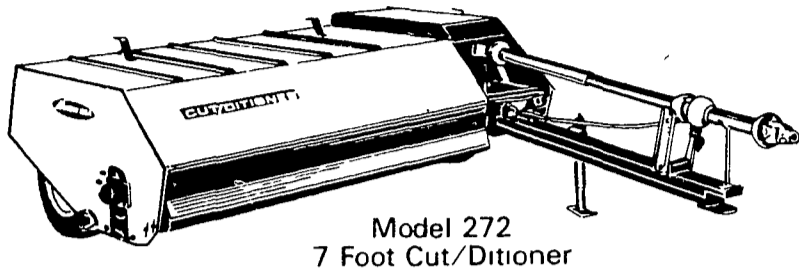


SAVE TIME, SAVE HAY!

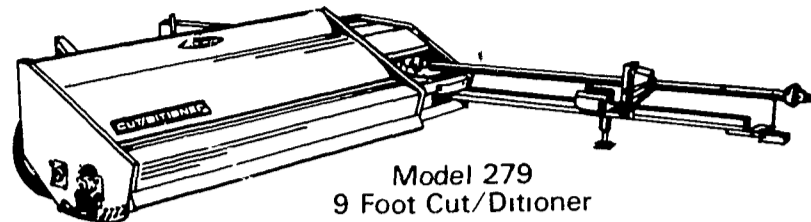
NEW IDEA MODEL 272 CUT/DITIONER



Model 272
7 Foot Cut/Ditioner

HIGH CAPACITY, TROUBLE-FREE OPERATION, Non-Plug, Non-Stop

The rugged, plug-free 7 ft. 272 Cut/Ditioner is built for farmers who want premium quality hay. It handles light or heavy stands. You'll get fast drying, high quality hay from a machine that costs much less than comparable mower-conditioners. Low on maintenance, too!



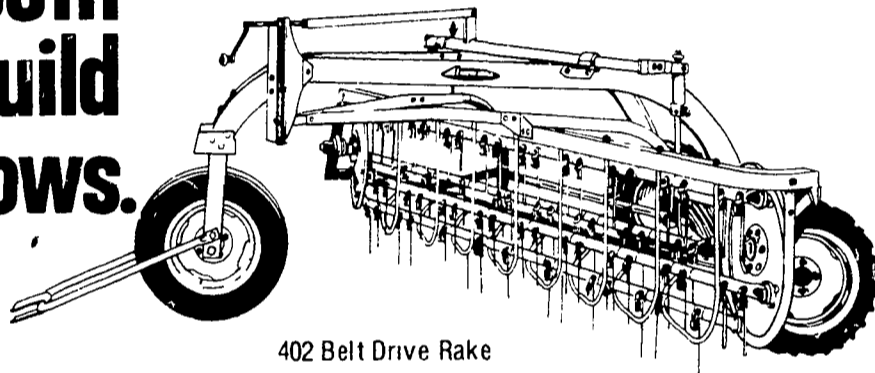
Model 279
9 Foot Cut/Ditioner

NEW IDEA MODEL 279 CUT/DITIONER

Less Maintenance . . . More Production

This is a high-capacity workhorse that will breeze through hay fields at a rate of up to five acres an hour taking a full 9 foot cut. Virtually plug-free, it will handle the heaviest crops under the toughest conditions fast. Produces the kind of hay livestock prefer. It's softer!

The Belt Drive Rake is the quiet, smooth way to build fluffy windrows.



402 Belt Drive Rake

Smoothly, quietly, it rakes an exceptionally clean 8-1/2 foot width with minimum leaf shattering and builds fluffy, uniform windrows. The straight axle design, working with the spring suspension with friction brake, reduces basket bounce, even on rough terrain.

Available with either front wheel or hitch jack. The front wheel acts as a gauge wheel and follows the ground contour closely for a cleaner job of raking and reduces tooth wear. Further, the front wheel permits the



The Bale King

Look for the star. It's your way of knowing the bale hasn't been tightly wound, squeezed and compacted all the way from the center out. The Avco New Idea Bale King gives you the star in the center that tells you the hay is still soft. The bale is compacted from the outside inward to give a hard wrap for extra protection against the weather as well as shape retention in storage.

Look for positive, easy start. The open chamber design and positive-start pickup feeds hay, straw, or cornstalks right into the chamber. You can stay right in your tractor seat for easy, safe operation from start to finish.



where the whole idea means better performance

SEE DEALERS BELOW AND ON OPPOSITE PAGE

WASHINGTON CO.

ALLISON BROS
Main St
Hickory, PA
412-356-2261

FIELDS IMPLEMENT STORE
P O. Box 97
Eighty Four, PA
412-222-1154

ARMSTRONG CO.

SNYDERS IMLEMNT STORE
220 N. Grant Avenue
Kittanning, PA
412-543-2441

FAYETTE CO.

UNIONTOWN FARM EQ. CO
P O Box 1030
Uniontown, PA
412-437-9851

INDIANA CO.

W.G. SATTERLEE, INC.
Main Street
Marion Center, PA
412-397-5533

BLAIRSVILLE FARM SERVICE, INC
R D 1, Box 625
Blairsville, PA
412-459-9600