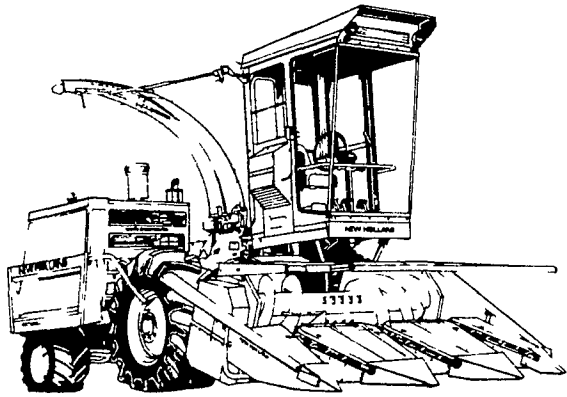


# BIG or small — Sperry New Holland Forage Harvesters offer you more value

**The more acreage you have,  
the more you need this giant harvester.**

The Sperry New Holland Model 1890 forage harvester features:

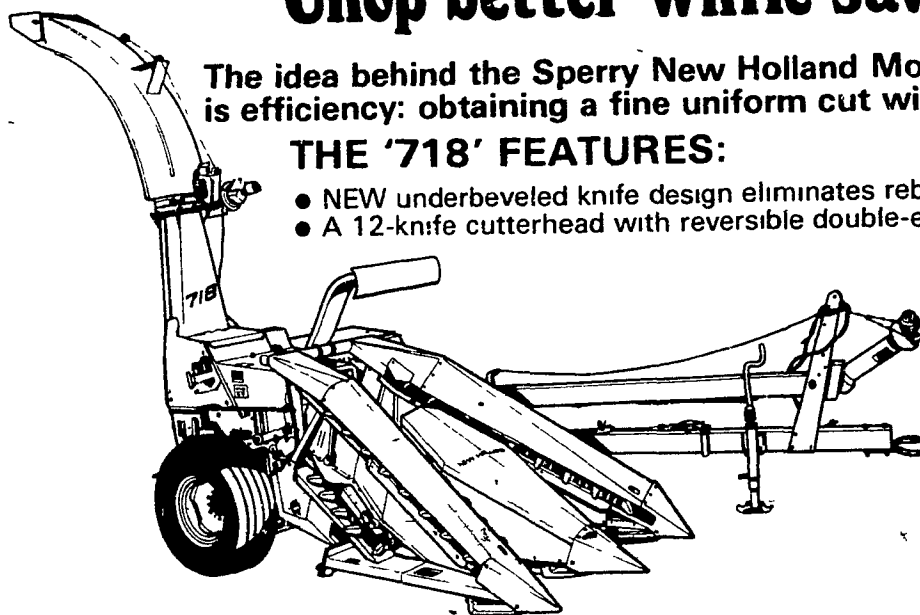


- Standard full-view cab features adjustable steering wheel and post!
- 210 H.P Diesel engine!
- Power Knife sharpener standard!
- Six recutter screens available!
- Attachments include three corn heads, Super-Sweep windrow pickup, 12-foot sickle bar and three ear-corn snapping heads!
- Idea! for those BIG stands of corn!
- Optional metal detector available.
- Exclusive, new-concept interchangeable crop head available.

**Chop better while saving power!**

The idea behind the Sperry New Holland Model 718 Forage Harvester is efficiency: obtaining a fine uniform cut with low power requirements.

**THE '718' FEATURES:**



- NEW underbeveled knife design eliminates rebeveling
- A 12-knife cutterhead with reversible double-edged knives!
- Flip-up feed roll for easy shearbar adjustment!
- Manual knife sharpener!
- Choose from three corn heads, two windrow pickups or sicklebar!

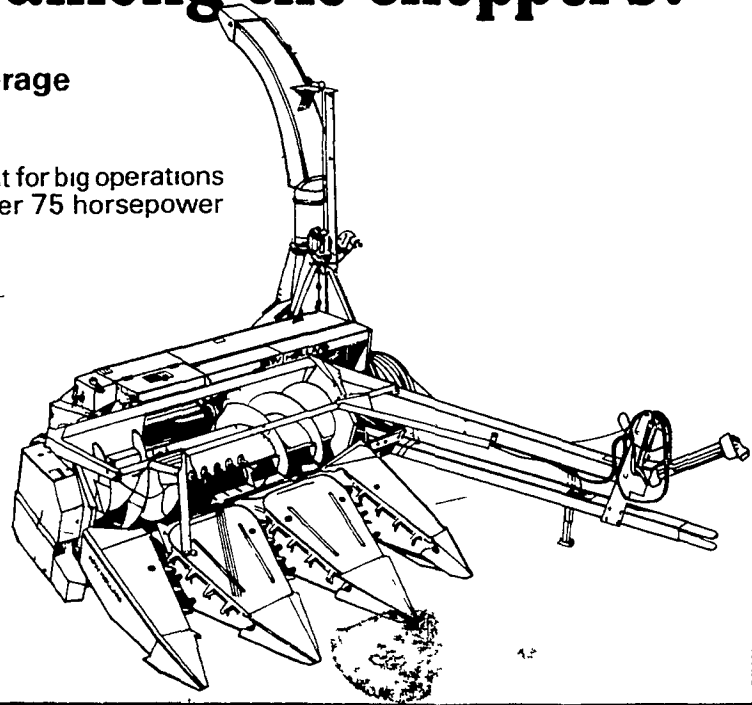
**Heavyweight champ among the choppers.**

The Sperry New Holland Model 890 forage harvester is built for the big crop.

The Model 890 is an extra-heavy-duty harvester built for big operations. It easily handles today's big tractor power over 75 horsepower.

It's the only pull-type harvester with an optional electronic metal detector. It features the original 12-knife cutterhead and PTO power knife sharpener. Seven screen sizes are available. Ear corn snapper heads are also available.

The "890" can also be equipped with the exclusive new-concept interchangeable crop head.



See your nearby Sperry New Holland Dealer listed on the facing page. He will gladly demonstrate the Sperry New Holland Forage Harvester best suited for your needs — right on your farm!

Ask us about FINANCE COST SAVINGS on most Sperry New Holland equipment!

**SPERRY NEW HOLLAND**