



# MODEL 769 UNI FLAIL-MATE

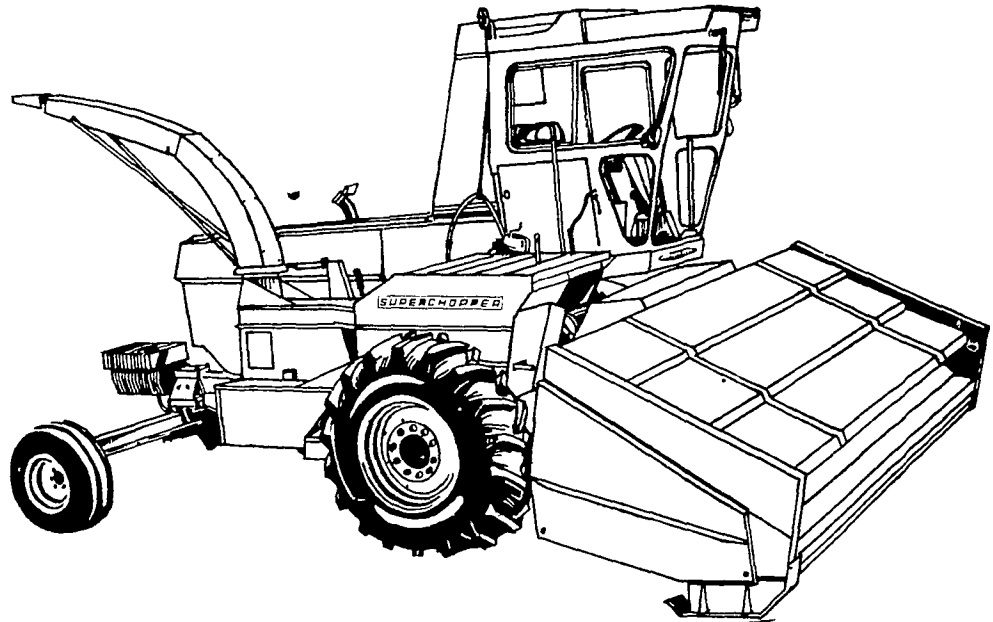
## EXCLUSIVE NEW MACHINE

Expands your Uni-Forage Harvester versatility.

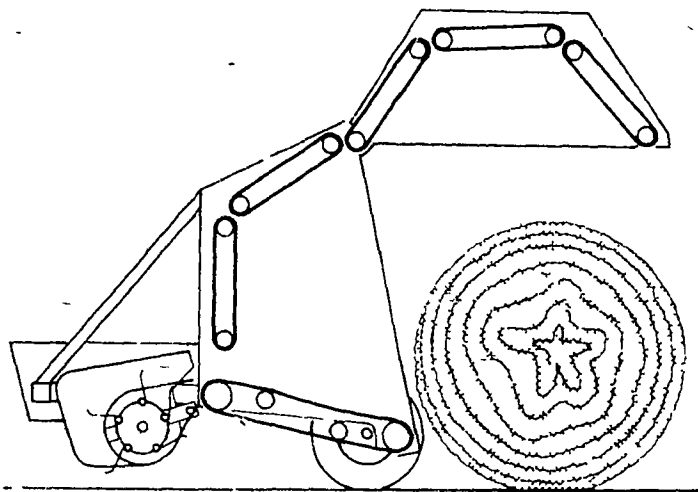
## MULTI USE — MULTI CROP

It's a Cut/Ditioner, Windrow Pickup, Direct Cut Head.

The new Model 769 Uni Flail-Mate is the industry's first forage harvester attachment capable of performing as a Cut/Ditioner, windrow pickup and direct cut head with changeover in less than five minutes. It has a 12-foot cutting width for big capacity, reduced harvesting time of hay and crop residues and minimum soil compaction.



**FLAIL-MATE . . . one more reason why Uni-System just plain makes more sense.**



## THE BALE KING

Look for the star. It's your way of knowing the bale hasn't been tightly wound, squeezed and compacted all the way from the center out. The Avco New Idea Bale King gives you the star in the center that tells you the hay is still soft. The bale is compacted from the outside inward to give a hard wrap for extra protection against the weather as well as shape retention in storage.

Look for positive, easy start. The open chamber design and positive-start pickup feeds hay, straw, or cornstalks right into the chamber. You can stay right in your tractor seat for easy, safe operation from start to finish.



where the whole idea means better performance

## SEE DEALERS BELOW AND ON OPPOSITE PAGE

WASHINGTON CO.

ALLISON BROS  
Main St  
Hickory, PA  
412-356-2261

FIELDS IMPLEMENT STORE  
P O Box 97  
Eighty Four, PA  
412-222-1154

ARMSTRONG CO.

SNYDERS' IMPLEMENT STORE  
220 N. Grant Avenue  
Kittanning, PA  
412-543-2441

FAYETTE CO.

UNIONTOWN FARM EQ. CO  
P.O. Box 1030  
Uniontown, PA  
412-437-9851

INDIANA CO.

W G SATTERLEE, INC  
Main Street  
Marion Center, PA  
412-397-5533

BLAIRSVILLE FARM SERVICE, INC.  
R D 1, Box 625  
Blairsville, PA  
412-459-9600