

**State Grange royalty selected**



Royalty selected for the Maryland State Grange included, left to right, Jimmy Roderick, from the Glade Valley Grange, Frederick Co.; Cheryl Lynn Myers, Thurmont Grange, Frederick Co.; named

state prince and princess; and Mr. and Mrs. Gene Mills, Carroll Manor Grange, Frederick Co.; chosen as the state young couple.

NEW MARKET, Md. — The Maryland State Grange princess, prince, and young couple were recently chosen. Winners included Cheryl Lynn Myers, Thurmont, state princess; Jimmy Roderick, Walkersville, state prince; and Mr. and Mrs. Eugene Mills, Jr., Adamstown, state young couple.

Jimmy Roderick, 22, the son of Mr. and Mrs. Harold E. Roderick of Walkersville, has been a member of Glade Valley Grange for eight years.

Mr. and Mrs. Eugene E. Mills, Jr., Adamstown; are the 1978 Maryland State Grange Young Couple. They were selected as members of the Grange Royalty at State Youth Night at New Market Grange Hall.

Cheryl Lynn Myers, 18, is the daughter of Mr. and Mrs. C. Rodman Myers, Thurmont.

Gene and Donna are active members of Carroll Manor Grange in Adamstown.

**GLICK'S  
ROOFING & SPOUTING**

Handler & Installer Of  
**BAKED ENAMEL TIN ROOFS**  
Colors: Turquoise, Red, Olive Green, Rust, Brown, White and Plain.

Sizes: 5 ft. up to 36 ft. All in one. Also cut to exact length.

**SAMUEL B. GLICK**

R.D.1, Kinzer, Pa PH. (717) 442-4921  
Call in Morning Before 6:30  
and Evenings after 6:00 P.M.  
No Sunday Calls

**York Co.  
4-H Council  
holds meeting**

EAST BERLIN — At a recent meeting of the York County 4-H Council, Joey Welsh, exhibit committee chairman, announced that the club will have a fire safety exhibit at the Penn National State Fair on May 26 to June 4.

Beth Hershey from the Extension Office announced that the 4-H chicken barbecue will be held on June 17 from 4 to 8 p.m. at the 4-H Center. Interested persons should contact the 4-H Office at 717-848-2101 for ticket information. The 4-H Exchange Club will be conducting a bake sale at the barbecue.

Bonnie Wire and Joey Welsh presented a slide presentation, "4-H'ers in Action" featuring York County 4-H members.

**Tough machinery for today's stepped up demands**

Two rugged machines — a Model 21 forage box with steel sides/endgate, and a Model 270 manure spreader for wide, uniform distribution of manure — join the Kasten line

**New Model 21...**

a beefed-up box to haul beefed-up silage loads

A bigger and stronger forage box with steel siding and steel endgate Built for today's stepped up tempo in forage handling (bigger, heavier loads hauled faster) Either 18 or 15 ft floor length, the Model 21 is rated 8-ton instead of 6 New blade-type beaters tear loose stringy material for free-flowing forage Full 16-inch auger discharge that users report works best

**New Model 270 manure spreader for uniform, wide distribution**

Blade-type beaters tear into manure for consistent shredding, uniform spreading Cor-ten steel sides resist erosion better than carbon steel, one seam down the middle of floor instead of usual one on each side makes leak proof corners Low profile allows maneuverability under barn cleaner or manure bucket Heavy T-bar chain for greater tensile strength

**Super 121 Forage Blower for tall silos and medium size tractors**

Blows up to 2 tons of haylage a minute to 80 feet high or more then shoots material 10 feet across to silo center Shoulder-level U-shaped bar for easy start of vee-belt drive Push to start Pull to stop Curved paddle increases lift power, avoids wedging

**Running gear with muscle enough for heavier loads**

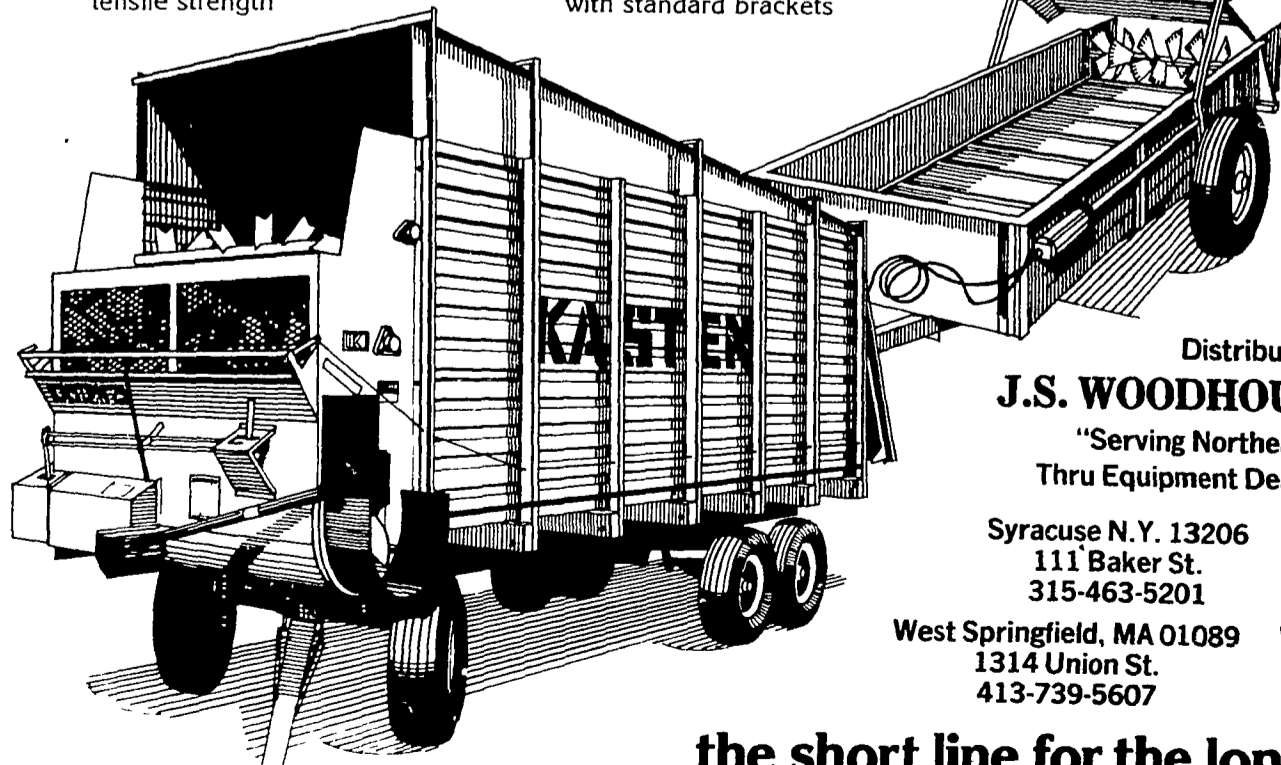
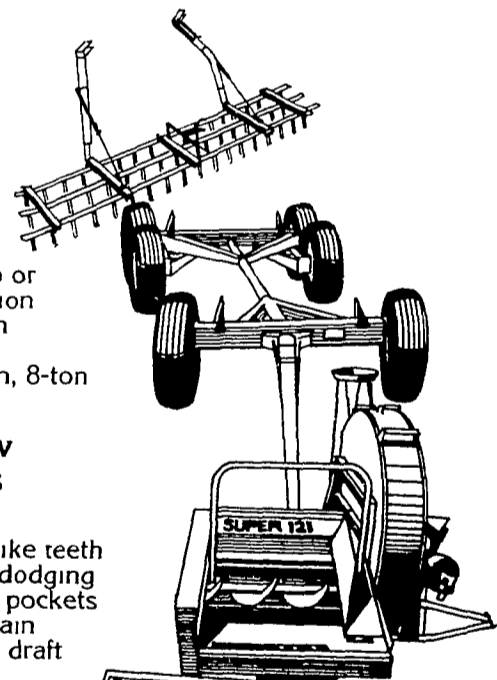
New 10-ton tandem puts six wheels on the ground Rear tandem provides 5-inch vertical movement up or down Even weight distribution permits 20,000 lb loads with increased resistance to twist and stress Available in 6-ton, 8-ton and 10-ton 4-wheel models

**Mounted harrows allow planting after one pass through the field**

Extra-long, chisel-pointed spike teeth penetrate deep without clod dodging to break crust work out air pockets Pivoted clevis mount with chain pull to center eliminates side draft Fits most mono-frame plows with standard brackets

**KASTEN**

KASTEN MFG CORP ALLENTON WI 53002 (414) 629 5511



Distributed by  
**J.S. WOODHOUSE CO., INC.**

"Serving Northeast Agriculture Thru Equipment Dealers Since 1843"

Syracuse N.Y. 13206  
111 Baker St.  
315-463-5201

Camp Hill, PA 17011  
2310 Gettysburg Rd.  
717-737-0591

West Springfield, MA 01089  
1314 Union St.  
413-739-5607

Waterville, ME 04901  
Sanger Ave.  
207-873-3288

**the short line for the long haul**

**COMPLETE  
FARM PAINTING**



We Use Quality  
PAINT  
**AERIAL LADDER  
EQUIPMENT**

- Modern and Efficient Method
- Reasonable Prices
- Spray On and Brush In Method
- Sandblasting If Necessary

FOR FREE ESTIMATES  
WRITE

**ESH SPRAY  
PAINTING**

(Daniel S. Esh C. Ralph Miller)  
SPRAY-ON AND  
BRUSH IN PAINTER  
Box 350A  
Ronks PA 17572  
or call this number  
717-687 9155  
INDUSTRIAL  
COMMERCIAL  
RESIDENTIAL