

Girls gain recognition in Dauphin Co. FFA



Award winners at Lower Dauphin's Future Farmers of America a recognition banquet included: (back, left to right) Virgil Baker, Sheila

Weaver, and Albert Espenshade. Front row, left to right, includes Dee Spittle, Michelle Henry, and Donna Capp.



Those individuals winning foundation awards from the Lower Dauphin Future Farmers of America are: (left to right) Jon Johnson, Tim Haldeman, Donna Capp, Sheila Weaver, Al

Espenshade, and Dean Espenshade. Missing from the photograph were Doug Fackler, Kevin Kanode, and Mike Shertzer.

By JOANNE SPAHR
HUMMELSTOWN --
Females have invaded the once all-male bastion of the Lower Dauphin Future Farmers of America Chapter much to the delight of its retiring president Dee Spittle. Dee and several of her female cohorts walked away with some of the top chapter awards of the recent 18th annual parent-member banquet held Tuesday evening. Women being in the minority, however, shared the spotlight with their male counterparts.

Beginning the list of female award winners is this year's Chapter Star Farmer Sheila Weaver, Hershey R1. Miss Weaver, a Keystone Farmer, was also noted as the individual in the organization who has carried the superior farming program during the four years she has been active as an FFA member. Miss Weaver's projects have included capons, swine breeding, swine finishing, and tobacco.

The complete list of the Keystone Farmer's accomplishments on Tuesday evening included a white ribbon for her project book on the local level; a foundation award in poultry production; a \$5 award for A honor roll scholarship; and a Kiwanis award for poultry production. Miss Weaver was also on the 1977 parliamentary procedures team which won a silver state award for competition at Penn State.

Donna Capp, Hershey R1, also garnered several distinguished honors at

Tuesday's banquet. These honors included the chapter citizenship award for the person who has been involved in the community and who had been the most cooperative and easy to work with throughout the year. Miss Capp also took the Production Credit award given to the individual who put together the most outstanding project book in Dauphin County. That same project book earned her a blue ribbon at the local level and a silver medal at the state level. She also took a foundation award for dairy production. Two final awards included \$5 for scholarship and honors for taking part in the parliamentary procedures team.

This year's Dekalb award winner was Dee Spittle, Dornstife. Miss Spittle was also part of the 1977 parliamentary procedures team and \$5 for being on the "A" honor role.

Other award winners included those for FFA foundation awards. Those persons were: Albert Espenshade, Elizabethtown R2, for public speaking; Jon Johnson, Palmyra R1, swine production; Doug Fackler, Hershey R1, for ag mechanics; Kevin Kanode, Elizabethtown R2, for ornamental horticulture; Albert Espenshade, Elizabethtown R2, placement in agriculture production; Tim Haldeman, Hummelstown R2, crop production; Dean Espenshade, Elizabethtown R2, placement in agriculture

(Turn to Page 30)

CHOOSE FROM THIS LINEUP OF TILLAGE TOOLS

A.L. HERR & BRO.
QUARRYVILLE, PA.
717-786-3521



Here's a V chisel with the beef clearance and heavy 1 1/4 x 30 inch shanks that will rip up tough hardpan and shatter subsoil to 18 inches deep. This deep chisel will let your fields breathe again. Let irrigation water, fall rains and winter snows soak down deep to mellow the soil, to store extra moisture against the summer's drought. It leaves the surface rough, open and exposed to alternate freezing and thawing. Crop roots can penetrate deeper. Drainage is improved so you can start early in the spring and seedbed preparation is easier and less expensive.

MOLDBOARD PLOWS

- MF 43 3 bottom 16" \$1025
- MF 57 Rollover 16" \$3050
- Somerset 1 bottom \$280

CHISEL PLOWS

- CASE 5-7-10 Shank Models
- CASE Subsoiler V Plows 7 Shank 11 ft. \$1475
- LANDOLL Soil Master 10-12 ft.

DISKS-MULCHERS-CULTIVATORS

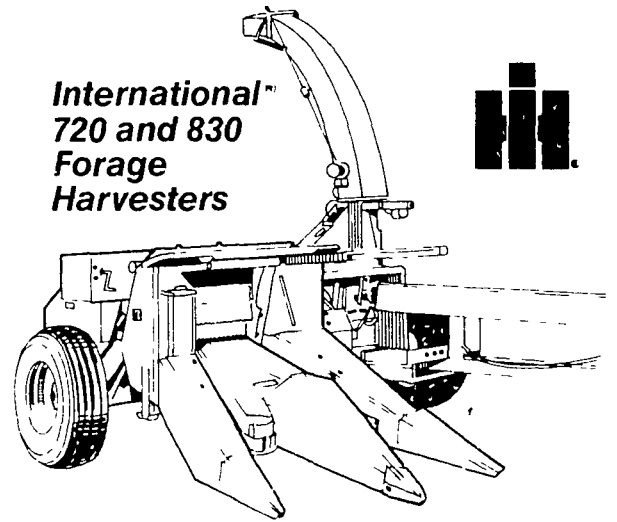
- PITTSBURGH 3 Point Hitch \$250
- M-F 520 10 ft. Tandem 22" disks \$2100
- CASE F21 12 ft. Tandem 20" disks \$2900
- CASE RP26 13 ft. Offset 26" disks \$4900
- DUNHAM Cultipackers and Cultimulchers
- CASE 12' Field Cultivator \$1500

Case 513 V

CHISEL PLOW
• 7 SHANK • 11 FT.
\$1425

SPRING CLEARANCE ON NEW FORAGE HARVESTERS

International™
720 and 830
Forage
Harvesters



MODEL 830 w/HAY PICKUP

\$6995⁰⁰ Demo.

MODEL 720 w/HAY PICKUP

\$5995⁰⁰ Demo.

Discounted from '77 prices
as high as **\$1800**

TRY & BEAT THESE PRICES!

COPE & WEAVER CO.

New Providence, PA (717) 786-7351
INTERNATIONAL HARVESTER
SALES & SERVICE