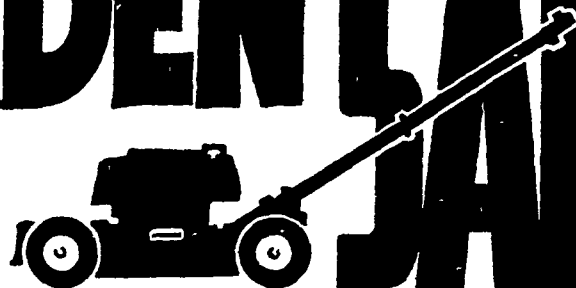




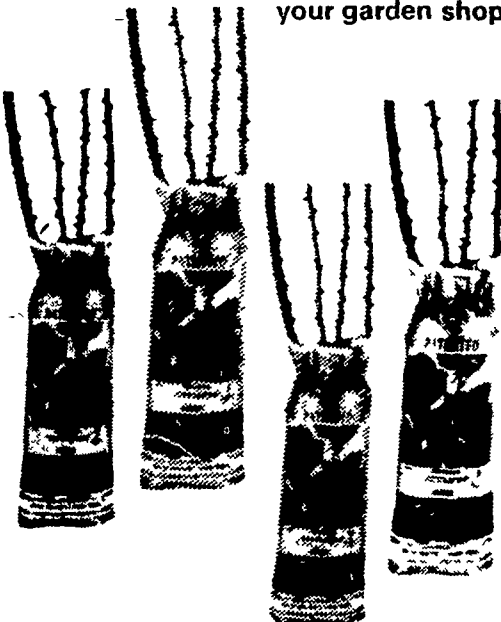
# LAWN & GARDEN SALE

VISIT OUR LARGE  
**GARDEN CENTER**

Choose from an impressive selection of fruit trees, shade trees, shrubs, evergreens, roses, bedding plants, roots, bulbs, seeds, hand tools, power tools, fertilizers, chemicals, and accessories. Save time and trouble. Do all your garden shopping under one roof.



**Hurry!**  
Sale prices good only through Saturday, April 8, 1978



**88¢**  
#2 Rose Bushes  
Choose from Hybrid Teas, Floribundas, Grandifloras and climbers

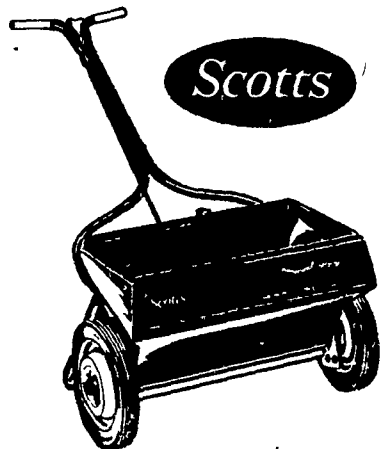
**1.99**  
#1 Rose Bushes  
Large hardy plants. Plants not necessarily in bud or bloom



**4.99**  
Reg 6.99 / SAVE 2.00  
10" to 12" Yews

**8.99**  
Reg 10.99 / SAVE 2.00  
12" to 15" Yews

These popular plants can be used to dress up the front of your house, line a walk, and many other decorative ideas. Choose from Upright, Globe, or Spreading varieties in two sizes.



**24.77**  
Reg 27.77 / SAVE 3.00  
19395-243  
**Scott's  
Lawn Spreader**

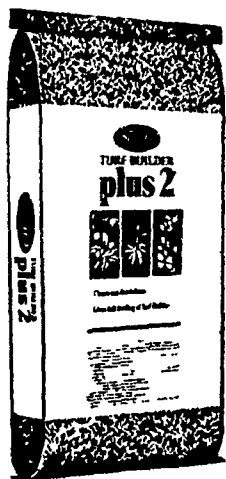
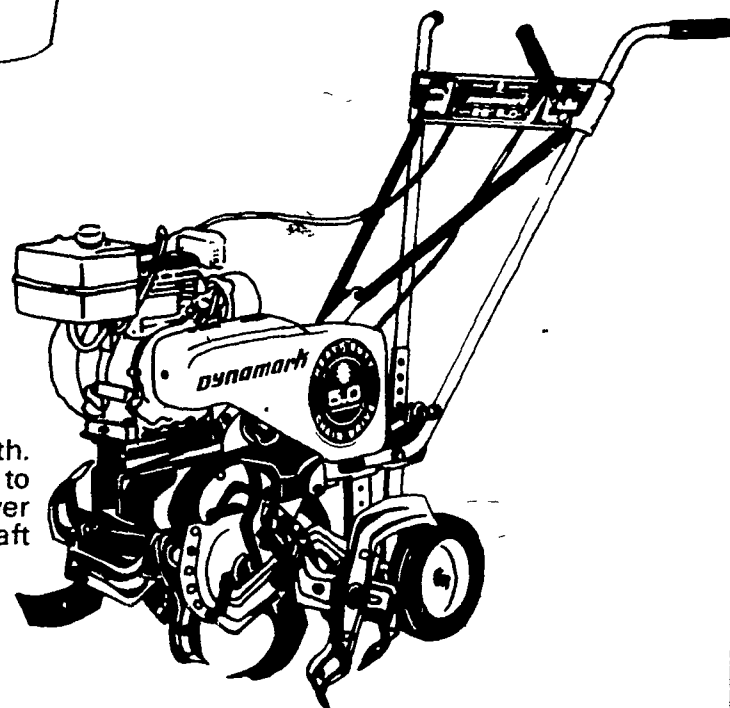
Engineered to distribute seed, fertilizer, weed controls, insect controls, and fungicides in exactly the right amounts. Easy on-off control. 18" spreading width.

**188.88**

Reg 218.88 / SAVE 30.00  
22489-258

**5 Horsepower Chain Drive Tiller**

14" slasher tines till a 28" swath. Chain drive delivers more torque to the tines from the 5 horsepower Briggs & Stratton horizontal shaft engine.

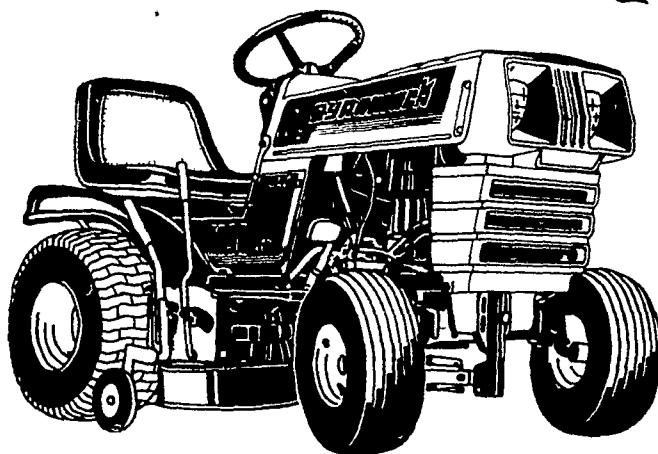


**9.97**  
Reg 11.97 / SAVE 2.00  
5,000 sq. ft. 20608-162

**18.77**  
Reg 22.77 / SAVE 4.00  
10,000 sq. ft. 20609-162

**26.77**  
Reg 31.77 / SAVE 5.00  
15,000 sq. ft. 20610-162

**Turf Builder Plus 2**  
Controls dandelions and forty other common non-grass weeds at the same time it provides a full feeding of Scott's Turf Builder.



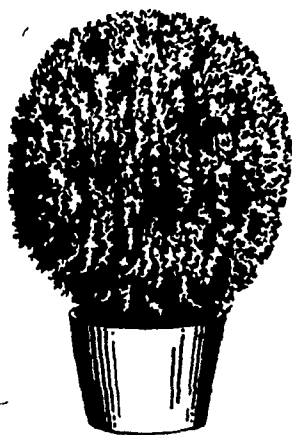
**699.99**

Reg 799.99 / SAVE 100.00  
22501-258

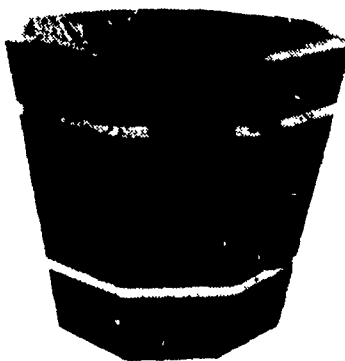
**10 Hp. 36" Rear Discharge**

The newest innovation in riding lawn mowers. Grass clippings are discharged to the rear instead of side, to prevent clogging. Includes electric starter, alternator, sealed beam headlights, twin blades for 36" cut, gas and ammeter gauges, and rack and pinion steering.

Trailer type lawn sweeper for above 22499-258 **99.99**



**5.99**  
Reg 7.99 / SAVE 2.00  
**15" to 18" Arborvitae**  
Enjoy this evergreen all year around. A fine addition to your landscaping plan. Potted in containers.



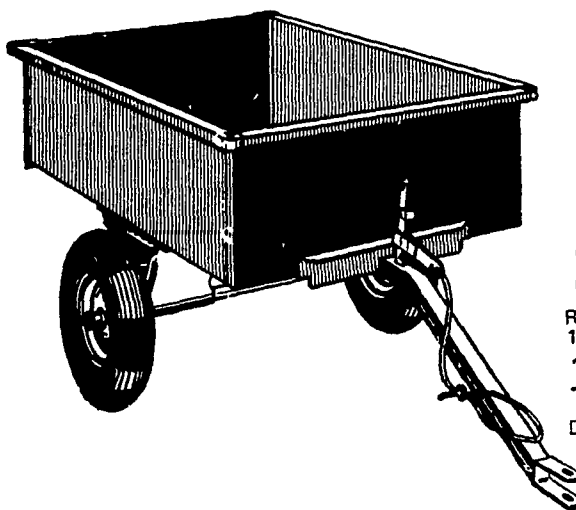
**SAVE up to 11%  
Redwood Urns**  
California Redwood urns with enduring beauty for indoors or outdoors. Rustproof golden aluminum bands on all planters.

**9 1/4" dia.**  
38123 328 Reg. 4.75 **SALE 4.19**

**12" dia.**  
38131 328 Reg. 5.99 **SALE 5.29**

**13 1/2" dia.**  
38148 328 Reg. 7.49 **SALE 6.69**

**15 1/2" dia.**  
38155 328 Reg. 8.49 **SALE 7.99**



**89.99**

Reg 109.99 / SAVE 20.00  
19389-243

**10 Cu. Ft. Trailer Cart**

Design may vary from illustration.

## FARM & FAMILY CENTER

A trade name of Central Tractor Parts Company

**LANCASTER**

1570 Manheim Pike, Hwy. 72 North  
Ph: 717-569-0111

Sale Hours:

8 to 5:30 Monday - Thursday  
8 to 8 Friday; 8 to 5 Saturday

**CHAMBERSBURG**

1351 Lincoln Way East  
Ph: 717-264-8282

Sale Hours:

9 to 9 Monday - Friday  
9 to 5 Saturday