

OPEN HOUSE SPECIALS - WEEK OF MARCH 6-11

BUY NOW AND WE'LL PAY THE INTEREST UNTIL SEPT. 1, 1978



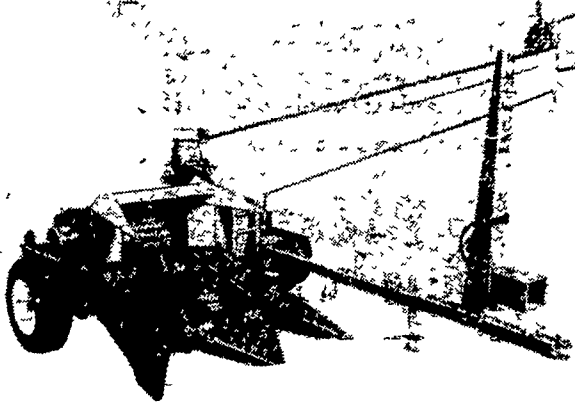
You can save hundreds of dollars if you purchase any qualifying Fox farm implement right now. No interest will be charged from date of purchase through September 1, 1978.

See me for more information on this money-saving opportunity today.

FOX. strong on performance

FOX 2250

Forage Harvester
NEW FOX MODEL COMBINES
BEST OF THE OLD WITH BEST OF THE NEW.

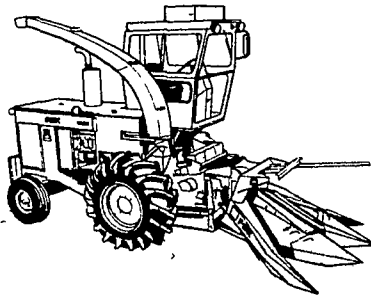


FOX 2250 HARVESTER, 540 PTO, 4" screen, elec. knife sharpener, w/2 row chain head, wide or narrow spacing.

OPEN HOUSE ONLY **\$5,500**

FOX 6200

Self-Propelled Forage Harvester
THE NEW FARMER-SIZED AND FARMER-PRICED FOX HYDROSTATIC SELF-PROPELLED FORAGE HARVESTER WITH ALL THE CAPACITY YOU CAN USE.



FOX 6200 Demonstrator Self-Propelled HARVESTER w/3 row belt head, narrow, cab & heater, electric knife sharpener.

OPEN HOUSE ONLY **\$24,900**



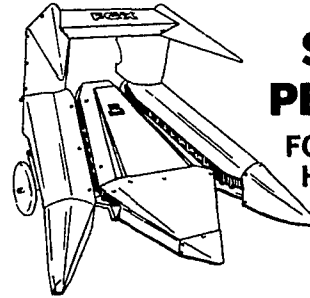
**WHY BUY A FOX?
HERE'S WHY ...**

FOX IS THE PIONEER OF MODERN FORAGE HARVESTING.

- First forage harvester on the market (1932).
- First with cylinder cut and separate blower.
- First with three harvesting heads (pick-up, corn head, mower bar).
- First with quick-change harvesting heads.
- First with recutter screens.
- First with in-head electric knife grinder.

HERE'S ANOTHER "FIRST" YOU SHOULD CONSIDER —

- In 1974 Fox introduced the all new corn harvesting head with all rubber composition gathering belts.
- Low profile design for ease of operation. Designed to match gathering speed with ground speed.



STRONG ON PERFORMANCE

FOX CORN HARVESTING HEADS WITH RUBBER COMPOSITION GATHERING BELTS

- Less initial cost
- Fewer moving parts
- Fewer gears
- Fewer bearings
- No Pitman drive
- No counterbalance
- No start and stop sickle
- No gathering chains
- No timing
- Lighter weight
- Less side draft
- Requires less horsepower
- Less noise
- Less vibration
- Belts wear longer
- Belts will take more speed
- Two-row corn harvesting heads
- Model 725 (Wide) for 36" to 42" rowspacing
- Model 726 (Narrow) for 30" to 34" rowspacing

IF HARVESTING HEAD PLUGS—REVERSE IT OUT!

SPECIAL PRICES ON NEW EQUIPMENT

FOX 3300 Demonstrator HARVESTER, 1,000 PTO, 4" screen, elec. knife sharpener, w/2 row chain head wide.

OPEN HOUSE ONLY **\$8,500**

FOX 6200 Self-Propelled HARVESTER, w/2 row chain head wide, 4" screen, electric knife sharpener.

OPEN HOUSE ONLY **\$21,000**

New FOX 263 Corn head 3-row (narrow) fits self propelled Super D, Max I & II.

OPEN HOUSE ONLY **\$3,500**

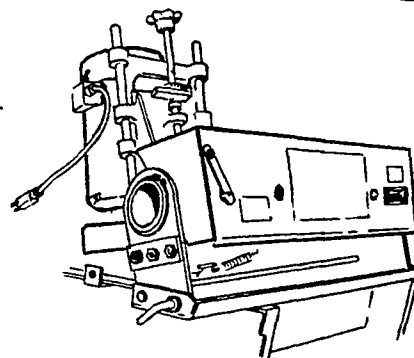
New FOX 736 Corn head 3-row (wide) fits self propelled Super D, Max I & II.

OPEN HOUSE ONLY **\$2,500**

GENUINE FOX PARTS EXTRA SPECIAL!!

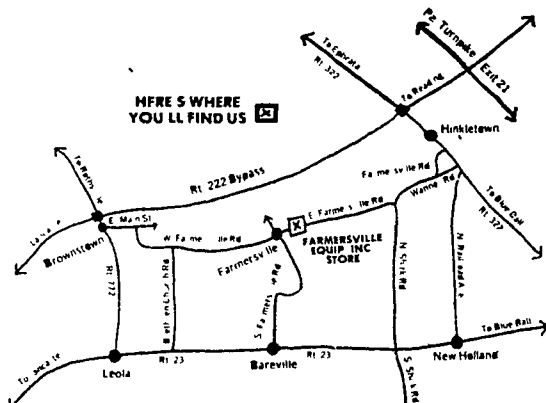
| | Reg. | SPECIAL |
|----------------------------------|----------|---------------------------|
| 101-10005 Knives Tungsten 3 Bolt | \$222.90 | \$179⁹⁵ |
| 101-10001 Reg. Knives 2 Bolt | 151.20 | \$119⁹⁵ |
| 101-14000 Reg. Shear Bar | 21.00 | \$16⁹⁵ |
| 101-14001 Tungsten Shear Bar | 35.65 | \$28⁹⁵ |
| 101-10003 Reg. Sickle Section | 2.60 | \$1⁹⁵ |
| 101-10003 Chrome Sickle Section | 3.80 | \$2⁹⁵ |
| 101-11000 Reg. Side Knife | 6.95 | \$5⁹⁵ |
| All Recutter Screens | 60.00 | \$51⁹⁵ |

SPECIAL DOOR PRIZE
FOR ALL FOX FORAGE HARVESTER OWNERS
1 SET OF 6-101-10005
TUNGSTEN HARDENED KNIVES
\$222.90 VALUE! 2 OR 3 BOLT
DRAWING SATURDAY, MARCH 11 AT 3 P.M.
(NEED NOT BE PRESENT TO WIN)



FOX ELECTRIC IN-HEAD KNIFE GRINDER GIVES YOU THAT EXACT BEVEL ...
Without Removing Knives!

Knives are the heart of any forage harvester. To get the most from your harvester, the secret's in keeping a sharp edge and the correct bevel on your knives. The Fox in-head grinder lets you do this without removing the knives from the machine



FARMERSVILLE EQUIPMENT

INC.

RD 4, Ephrata, PA

717-354-4271

SPECIAL STORE HOURS OPEN HOUSE WEEK ONLY:
MON.-FRI. 9 A.M. TO 9 P.M. SAT. 9 A.M. TO 3 P.M.