

YOU ARE INVITED TO OUR OPEN HOUSE

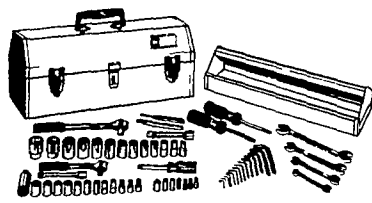
FEBRUARY 20-21, 1978

AT R. S. HOLLINGER & SON, INC.

FREE 62 PIECE INTERNATIONAL TOOL SET
Two tool sets to be given away in a drawing for those in attendance at the Clinics.

CORN PLANTER CLINIC - FEB. 20 - 2 PM
TRACTOR CLINIC - FEB. 21 - 2 PM

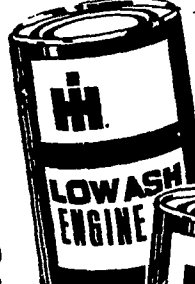

Must Be Over 18 Years Or Older.
Clinics conducted by IH Service Representative, JOHN LEE.



¼, 3/8, ½-inch drive

★ **DOOR PRIZES**
★ **MOVIES**
★ **CHICKEN CORN SOUP**
12 NOON TO 7 P.M.

SPECIAL TRUCKLOAD PRICES ON OIL

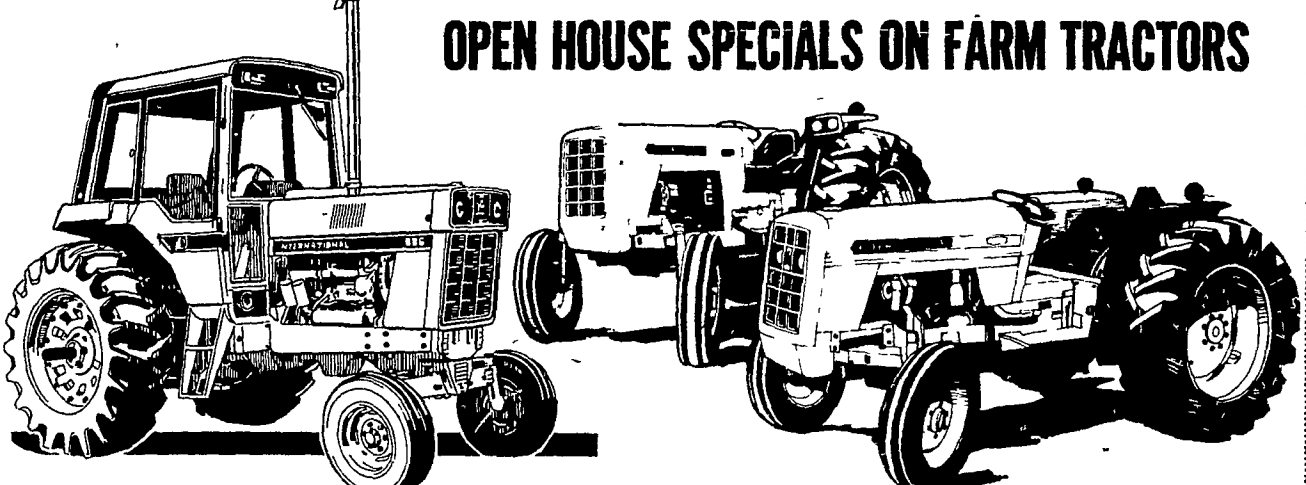



IH ENGINE OIL FOR DIESEL ENGINES - LOW ASH OIL FOR GAS ENGINES

Quarts **.90**
Gallons **\$3.50**
5 Gallons. . . . **\$16.50**
55 Gallons . . . **\$150.00**

SPECIAL LOW PRICES ON HYTRAN

OPEN HOUSE SPECIALS ON FARM TRACTORS



SPECIAL PRICES ON PLOW PARTS

	LIST	SALE
SHARES		
463 236R1.....	8.80	6⁶⁷
463 251R1.....	7.45	6⁴¹
463 240R2.....	5.91	4⁷³
LANDSIDE		
522 342R2.....	7.80	6⁷¹
MOLDBOARD		
488 265R12.....	44.10	36²¹
SHIM		
522 325R1.....	12.30	7⁸³

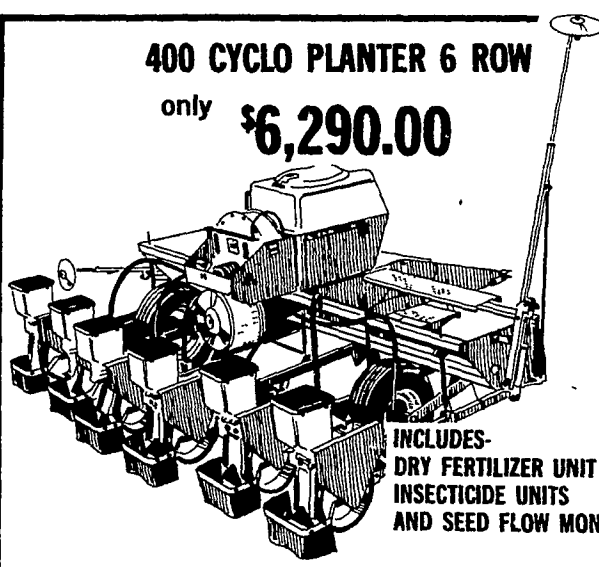
ALL OTHER PARTS 10% CASH DISCOUNT

86, 886, 986, 1086, 1486 and 574 TRACTORS - UTILITY & ROW CROP

NEW	LIST	SALE
574 D Standard	\$10,947.50	\$8,990
574 D Row Crop	11,216.00	\$9,100
86 Hydro, demo.	16,598.00	\$12,900
866 D Cab & Air	22,180.00	\$18,290
986 D ROPS	21,051.00	\$17,300
1086 D Cab & Air	28,301.00	\$23,000
1486 D Cab & Air	30,625.00	\$24,900

All tractors have rear wheel whts. Front end bumpers whts. or brackets.

400 CYCLO PLANTER 6 ROW
only **\$6,290.00**



INCLUDES- DRY FERTILIZER UNIT INSECTICIDE UNITS AND SEED FLOW MONITOR

COME & SEE OUR LARGE SELECTION OF LAWN & GARDEN EQUIPMENT



Cadet 55
with 28" cut

SPECIAL SALE

SALE PRICE **\$490**
Reg. List \$580.00



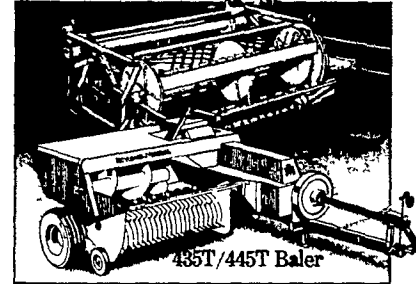
USED TRACTOR SPECIALS

656 Gas.....	\$5250
Farmall M	\$1200
Allis Chalmers WC w/cult.....	\$970

USED EQUIP. SPECIALS

New Idea Spreader	\$1050
New Idea Spreader	\$500
4 Btm. Oliver Plow Hyd. Reset	\$1250
47 Baler w/thrower	\$1450
205 Combine w/corn & grain head	\$6500
JD Offset Disk Harrow	\$23,000

990 Mower Conditioner 9 Ft. - \$3,850



445 Custom Baler - \$4,660

R. S. HOLLINGER & SON, INC.

113 W. MAIN ST., MOUNTVILLE
INTERNATIONAL QUALITY PARTS
FACTORY TRAINED SERVICEMEN

PHONE: 717-285-4538
MON. THRU FRI. 8 TO 5:30
SATURDAY 8 TO 12

