

# Home gardening highlighted at Longwood in Feb.

**KENNETT SQUARE** — February hosts a wide array of programs and displays for the home gardener and landscaper at Longwood Gardens, here.

On February 14 a new balcony garden exhibit will be unveiled to the public. Then on Feb. 15, well known turf authority from The Lawn Institute Dr. Robert W. Schery will present a lecture on lawn keeping. And, beginning Feb. 25 the first of three special short courses on home gardening will be presented.

**Garden Exhibit**

Longwood's balcony gardens exhibit is designed to offer specific educational information and ideas to townhouse and apartment dwellers. Constructed inside the heated conservatories, the display contains five balconies raised above the Azalea House floor. A walkway permits viewing the 2000-square-foot exhibit from "inside" as well as from "outside."

Visitors attending the opening should park in the main lot and proceed to the conservatories. The Example Gardens are located in the honeycombed Azalea House.

**Turf Lecture**

Schery's lecture on the 15th will offer an ecological backdrop against which to evaluate lawn making and lawn keeping procedures. Options range from the intensive turf management of a golf course to complete abandonment, with greatest efficiency for today's

lifestyles lying somewhere in between.

Longwood's conservatories which contain thousands of flowers including Longwood's famous acacias are open one hour before and one hour after the 8:30 p.m. lecture. The acacias are now in their prime and fill the Azalea House and Acacia Passage with millions of golden blossoms.

**Short Courses**

Home gardeners can get an early start on Spring by attending special Saturday morning programs from 10 a.m. to 12 noon at Longwood Gardens near Kennett Square, Pa. Topics to be covered are: Feb. 25, "An Introduction to Vegetable Gardening"; March 4, "Small Equipment Maintenance for the Home Gardener"; and March 11, "Growing Plants in Containers." Registration for each session is \$5. For more information, contact "Short Courses", Longwood Gar-

dens, Kennett Square, Pa. 19348.

"An Introduction to Vegetable Gardening" presents the basics of growing vegetables in the home garden. Visual aids will illustrate time-honored practices and new ideas for better production. David J. Foresman, Longwood instructor, is the lecturer.

David F. Melrose, from the Scott Horticultural Foundation at Swathmore College, leads the March 4 meeting on "Small Equipment Maintenance for the Home Gardener." The selection, maintenance, and use of small equipment will be discussed.

Container gardens can add a special touch to home, patio, or balcony. "Growing Plants in Containers," scheduled for March 11, will teach some of the techniques used in selecting and maintaining plants and containers. F. Joseph Carstens, Longwood floriculturist, is the instructor.

All programs begin at 10 a.m. in the auditorium adjacent to the main parking lot. Registered participants have free access to the gardens and conservatories the day of the lecture.

To register for the Saturday morning sessions, send name, address, and telephone number along with check or money order for \$5 for each class made payable to Longwood Gardens, Inc., to "Short Courses," Longwood Gardens, Kennett Square, Pa 19348. Please designate the course by title.

Longwood Gardens is located on U.S. Highway 1, 30 miles southwest of Philadelphia and 12 miles north of Wilmington, Del. The gardens are open every day of the year.

For more information program, telephone 215-388- about the short courses 6741, ext. 516.

## HOG PRODUCERS!

Get Top Price for Your Hogs at New Holland



Sold in sorted lots the auction way. See them weighed and sold and pick up your check.

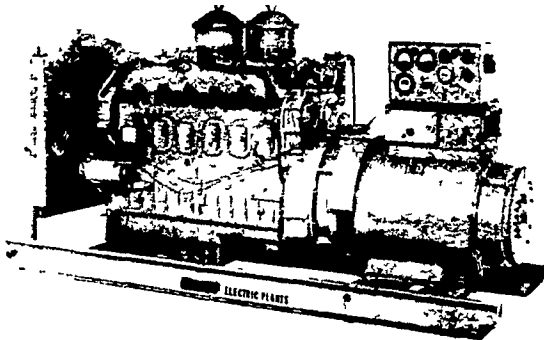
**SALE EVERY MONDAY 8:00 A.M.**

**NEW HOLLAND SALES STABLES, INC.**

Phone 717-354-4341  
Daily Market Report - Phone 717-354-7288  
Abe Diffenbach, Manager

### Electric Generating Systems

Built to Your Specifications  
Manual or Automatic  
L. P. Gas - Diesel - Gasoline



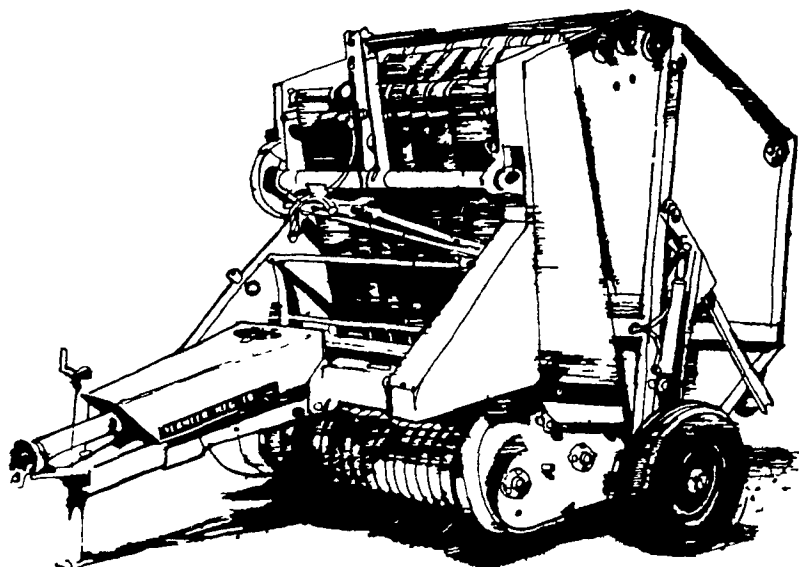
Sales - Service

### Martin Electric Plants

Isaac W. Martin, Owner  
Pleasant Valley Rd., RD2  
Ephrata, PA (717) 733-7968



## VERMEER DAYS



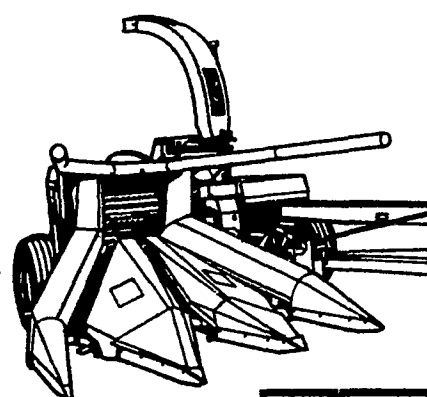
Come for presentation on Vermeer's new hay and corn harvesting equipment. Presented by factory representative.

**SNOW DATE:**  
February 22, 1978

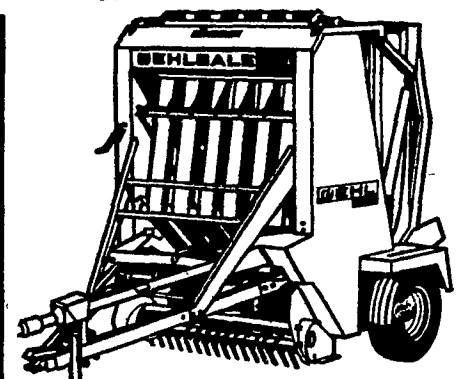
Triple H Farms  
Clifford Holloway  
RD #1, Box 164  
Peach Bottom, PA  
717-548-2640  
Time: 11 A.M. 3 P.M.  
Lunch Served

**February 20, 1978**

Kutztown High School  
Kutztown Young Farmers Association  
Presented by  
Red Wing Farm  
Fleetwood, PA  
215-944-9583  
Time: 8 P.M.  
Refreshments

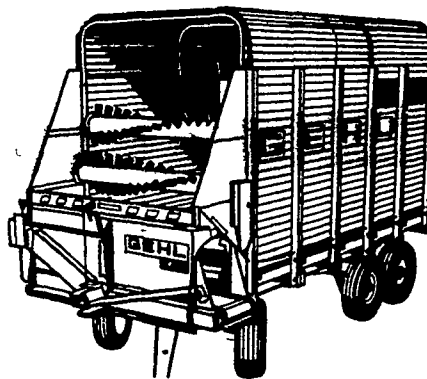


Up to \$225 CASH!

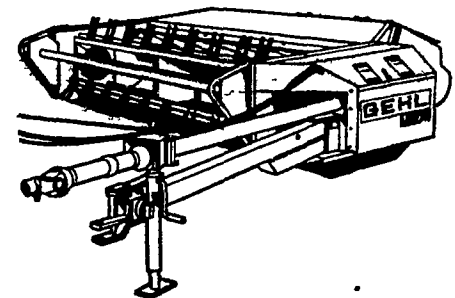


Up to \$180 CASH!

**Early Buyer's Cash Bonus**



Up to \$80 CASH!



Up to \$125 CASH!

### GEHL® Makes Buying Easier

**BONUS PAYMENT SCHEDULE**

Equipment		JAN	FEB	MAR
Description	Model No			
Forage Harvesters	CB730	\$160	\$130	\$100
	CB800	190	160	116
	CB1200	225	176	130
Mower Conditioners	MC778	\$125	\$100	\$ 70
	MC840	125	100	70
	MC1070	125	108	70
Round Balers	RB1500	\$180	\$140	\$100
	RB1500A	180	140	100
Flat Choppers	FC72C	\$ 80	\$ 66	\$ 50
Forage Blowers	BU30	80	65	50
	BU300	80	65	50
	BU320	80	65	50

Now you can get cash back from Gehl with the purchase of eligible forage harvesting and haymaking equipment. See us for full details.

(Offer valid on eligible equipment retailed between Dec. 19, 1977 and Mar. 31, 1978)

**ZOOK'S FARM STORE**  
Honey Brook, PA

**A. L. HERR & BRO.**  
Quarryville, PA  
717-786-3521

**S. JOHNSON HURFF**  
Pole Tavern  
Monroeville, NJ  
609-358-2565 or  
609-769-2565

**STOUFFER BROS. INC.**  
Chambersburg, PA  
717-263-8424

**ARNETT'S GARAGE**  
Rt. 9 Box 125  
Hagerstown, MD  
301-733-0515

**NEVIN N. MYER & SONS, INC.**  
Chester Springs, PA  
215-827-7414

**UMBERGER'S MILL**  
Rt. 4 Lebanon, PA  
(Fontana)  
717-867-5161

**BINKLEY & HURST BROS.**  
133 Rothsville Station Road  
Lititz, PA  
717-626-4705

**PEOPLE'S SALES & SERVICE**  
Oakland Mills, PA  
717-463-2735

**WILLIAM DAUGHERTY**  
R.D. #2  
Felton, PA  
717-244-9787

**ERNEST SHOVER FARM EQUIPMENT**  
19 W. South St.  
Carlisle, PA  
717-249-2239

**N. G. HERSHEY & SON**  
Manheim, PA  
717-665-2271

**AGWAY, INC.**  
Chapman Equip. Center  
Chapman, PA  
215-398-2553

**CHAS. J. MCCOMSEY & SONS**  
Hickory Hill, PA  
215-932-2615

**WERTZ GARAGE**  
Lineboro, MD  
301-374-2672

**LEBANON VALLEY IMPLEMENT CO., INC.**  
Richland, PA  
717-866-7518

**CLAIR J. MYERS**  
Lake Road R1  
Thomasville, PA  
717-259-0453