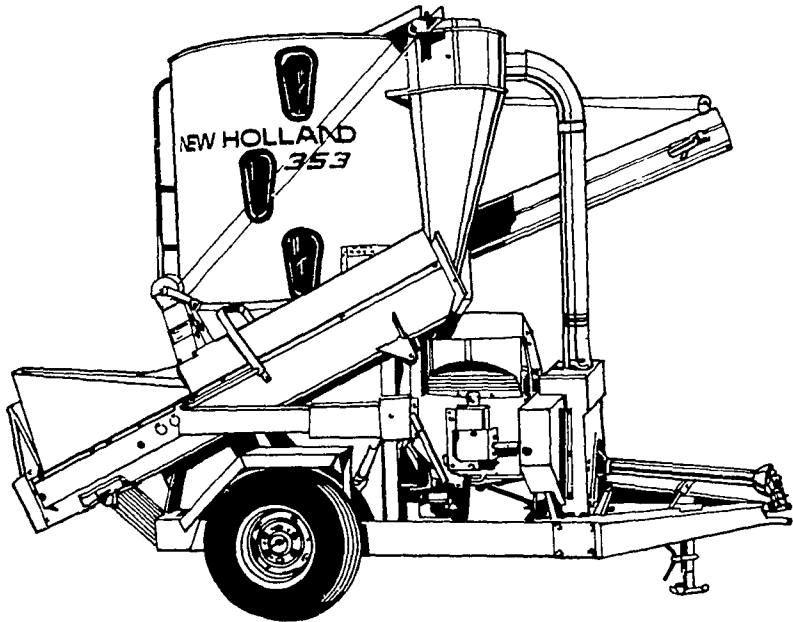
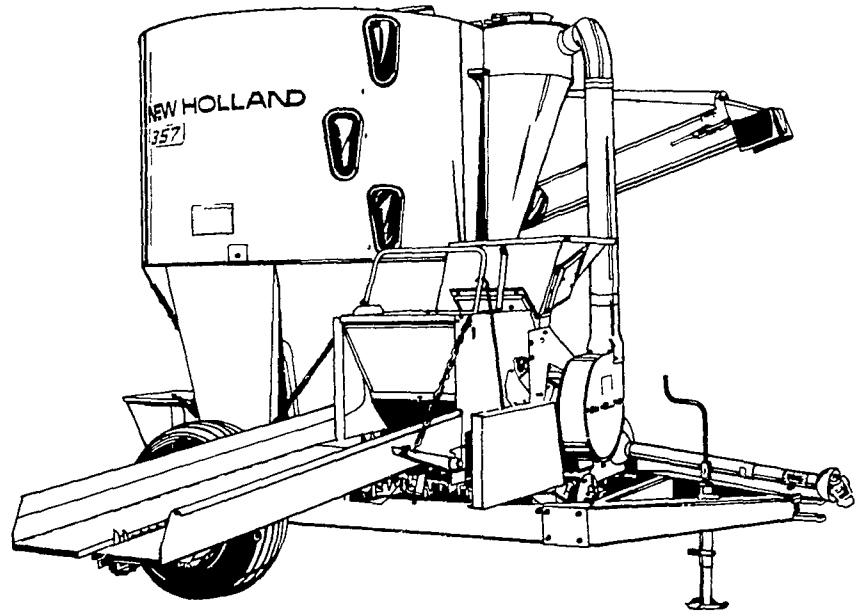


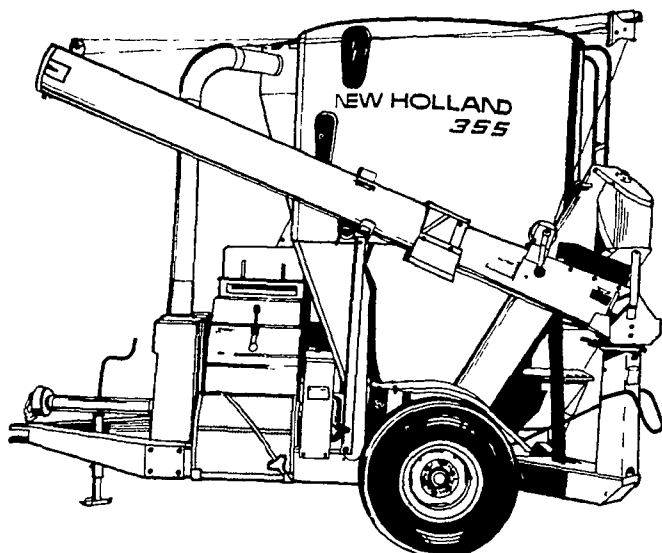
THERE'S A SPERRY NEW HOLLAND GRINDER-MIXER THAT'S JUST RIGHT FOR YOUR OPERATION!



80-bushel Model 353 Grinder-Mixer
• 16-inch hammermill
• 10', 13', 17' or 20' unloading auger

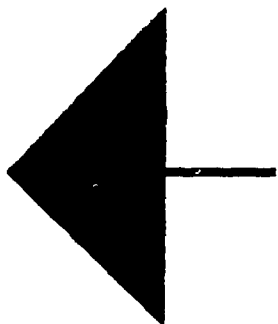


120-bushel Model 357 Grinder-Mixer
• 21-inch hammermill
• 10', 13', 17', or 20' unloading auger
• Optional electronic scale for accurate control of rations



100-bushel Model 355 Grinder-Mixer
• 21-inch hammermill
• 10', 13', 17' or 20' unloading auger
• Optional electronic scale for accurate control of rations

Join the growing number of farmers in this area who own a Sperry New Holland grinder-mixer because it gives them complete control over the type of ration they desire -- when and where they need it. Cash in on the extra value you get by using your own grains! And you can grind and mix them into the form that's most usable by your livestock.



For a demonstration on your farm, call your nearby **SPERRY NEW HOLLAND Dealer** listed on the facing page. He's ready to help you pick the model that's just right for your operation.

SPERRY  NEW HOLLAND