

Lancaster Co. DHIA

(Continued from Page 94)

M. Irvin Eberly						
R&GrH	29	32.0	87.3	45.7	4.0	1.83
Gordon L. Sangrey						
R&GrH	33	41.0	87.4	46.8	3.9	1.83
Christ R. Beiler						
R&GrH	31	43.3	94.6	49.5	3.7	1.83
Carl L. Martin						
RH	27	80.8	90.4	46.3	3.9	1.82
H. Landis Weaver						
RH	35	60.3	90.4	46.7	3.9	1.82
Donald R. Bare						
R&GrH	27	62.2	91.5	49.5	3.7	1.82

Parke H. Ranck						
RH	32	58.4	84.5	44.2	4.1	1.81
Earl Smoker						
R&GrH	30	41.4	92.6	48.2	3.8	1.81
J. Mowery Frey						
RH	31	36.0	81.9	44.6	4.1	1.81
Joseph C. Wivell						
R&GrH	24	88.5	94.3	48.3	3.7	1.81
Ivan S. Stoltzfus						
R&GrH	32	46.9	84.6	46.9	3.8	1.80
J.C. Pownall Est.						
Mix	30	58.3	93.5	43.2	4.2	1.80
Nelson H. Wenger						
RH	27	32.5	93.5	47.9	3.8	1.80
J. Robert Metzler & Son						
RH	33	40.6	94.1	46.0	3.9	1.80
Omar S. Kauffman						
R&VrH	31	37.0	86.1	48.9	3.7	1.80
Ezra & Gerald Martin						
RH	29	46.8	90.0	48.0	3.7	1.79
Melvin L. Beiler						
R&GrH	28	47.0	93.5	44.2	4.0	1.79
Willis M. Martin						
R&GrH	29	54.0	89.2	45.4	3.9	1.79
Tom McMillion						
GrH	29	6.5	81.4	47.9	3.7	1.79
Pequea Meadows Farm						
R&GrH	29	71.1	90.6	47.0	3.8	1.79
Wilmer G. Kraybill						
R&GrH	31	54.0	89.7	47.5	3.7	1.78
Samuel F. Long						
Mix	35	55.3	90.2	46.9	3.8	1.78
Ira D. Welk & Sons						
R&GrH	30	93.7	94.0	46.7	3.8	1.78
Hiram S. Aungst						
R&GrH	28	51.8	85.1	42.5	4.2	1.77
Ellis D. Kreider						
R&GrH	28	55.1	90.0	45.8	3.9	1.77

Lancaster Farming, Saturday, January 21, 1978-95

Benuel S. Stoltzfus						
R&GrH	32	44.1	94.0	48.9	3.6	1.77
Moses G. Riehl						
RH	29	32.3	89.0	46.2	3.8	1.77
Meadow Vista Farm						
R&GrH	35	110.5	86.1	44.6	4.0	1.77
Ressler & Stoltzfus						
Mix	30	60.8	92.1	43.2	4.1	1.76
Arthur D. Wenger						
RH	61	41.6	84.0	42.8	4.1	1.76
Martin H. Good						
R&GrH	37	43.5	90.3	44.6	3.9	1.76
J. Z. Nolt						
RH	36	30.8	84.2	49.0	3.7	1.76
John S. Wenger						
RH	31	52.1	92.1	44.3	4.0	1.76
Russel L. Kline						
R&GrH	30	38.0	81.7	46.7	3.8	1.76
Melvin J. Martin						
RH	24	41.2	90.9	46.2	3.8	1.76
John E. Kreider						
RH	28	46.1	89.2	47.9	3.7	1.75
Titus B. Stoner						
R&GrH	29	44.0	94.7	46.7	3.7	1.75
Gusty Crest Farm						
R&GrH	22	32.6	88.3	43.0	4.1	1.75
James C. Wecksel						
R&GrH	32	10.0	99.1	41.7	4.2	1.75
Lancaster Mennonite Hospital						
R&GrH	55	92.6	85.6	46.4	3.8	1.74
John M. Harnish						
R&GrH	27	138.6	84.7	50.4	3.5	1.74
B. Robert Charles						
R&GrH	30	43.4	91.8	44.2	3.9	1.74
Isaac S. Beiler						
Mix	25	46.2	92.5	46.5	3.7	1.74



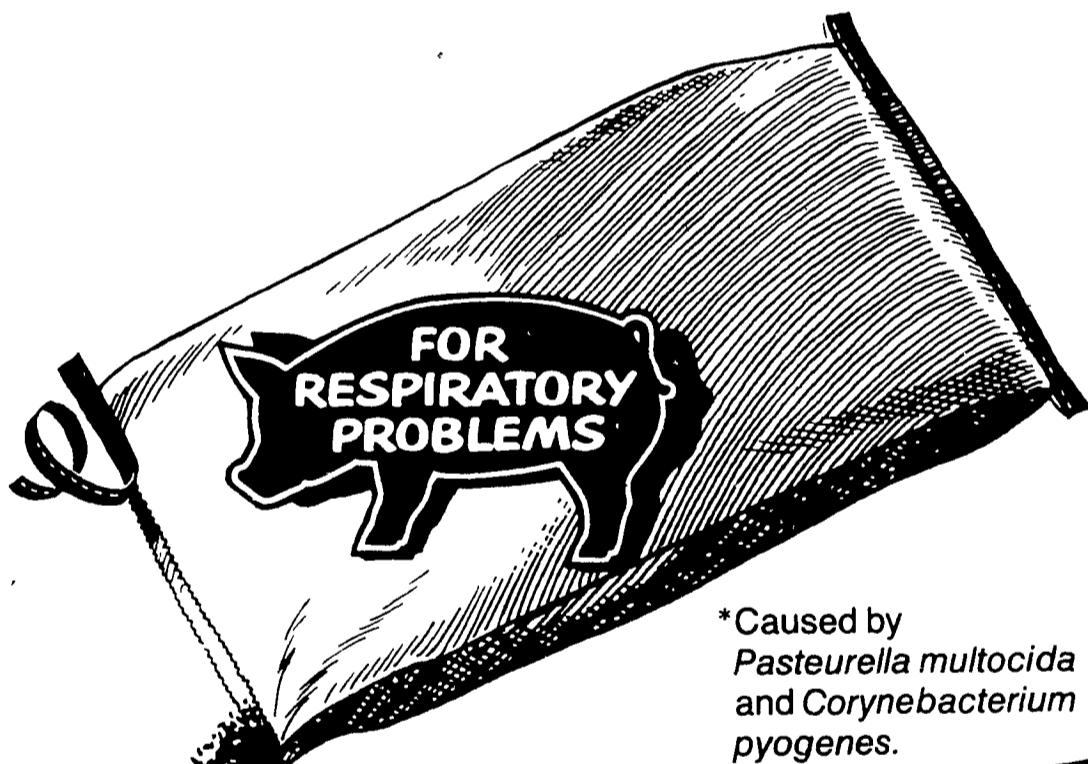
EXTRA LARGE
HI-POP
POP CORN

MAILED ANYWHERE
IN U.S.A. **5 LBS. FOR \$3.00**

SEND TO YOUR SON OR DAUGHTER IN COLLEGE

REIST SEED COMPANY
P.O. Box 155
Mount Joy, PA 17552
PH. (717) 653-4121

There's no other way to stop both pneumonia* and atrophic rhinitis losses with one feed:



*Caused by *Pasteurella multocida* and *Corynebacterium pyogenes*.

Tylan Plus Sulfa
tylosin sulfamethazine

there's no other way

FOR MORE INFORMATION SEE YOUR FEED SUPPLIER SERVICED BY
NEW HOLLAND SUPPLY CO.

Eastern takes 22 placings

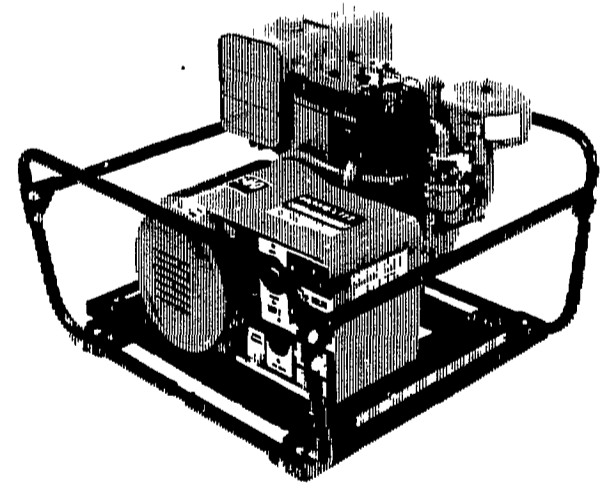
WRIGHTSVILLE - The Eastern Future Farmers of America Chapter of Eastern High School, Wrightsville entered 56 projects in the 1978 Pennsylvania Farm Show. Out of the 56 entries, the FFA had 22 placings which earned them \$84.

earned \$26 with seven ribbons; Steve Daugherty garnered three ribbons and \$11; Chris Klinedinst took in \$5 with one ribbon; and Michael Krug and Thomas Urey both earned \$2 with one ribbon each.

The following is the breakdown of winners; Robert Buser won \$36 with nine ribbons; Ray Smeltzer

Buser and Smeltzer also participated in the 1977 P.C.I.A. Once Acre Corn Contest with Buser taking a blue ribbon and Smeltzer a red.

For Standby farm Power...use Homelite® Voltamatic® Generators.



High Performance When and Where You Need It.

All models use Voltamatic® voltage control to maintain output power to within 4% from no load to full load (8% with model 170A15-1) Give extended tool life, easier motor starting, and fewer tool burnouts

- Seven models available with output capacities from 1,500 to 7,500 watts, and most have 120/240 dual voltage
- Many equipped with Loadmatic® Idle Control which saves gas, prolongs engine life
- Control box side-mounted for easy access to receptacles
- Choice of 2-cycle or 4-cycle engine driven models with splash lubrication system
- Units mounted on vibration isolated skids to prevent "walking"

FARMERSVILLE EQUIPMENT INC.

R.D. 4 EPHRATA, PA. 717-354-4271
Store Hours: Mon. Thru. Fri. 7:30 TO 5:30
Sat. 7:30 TO 3:00