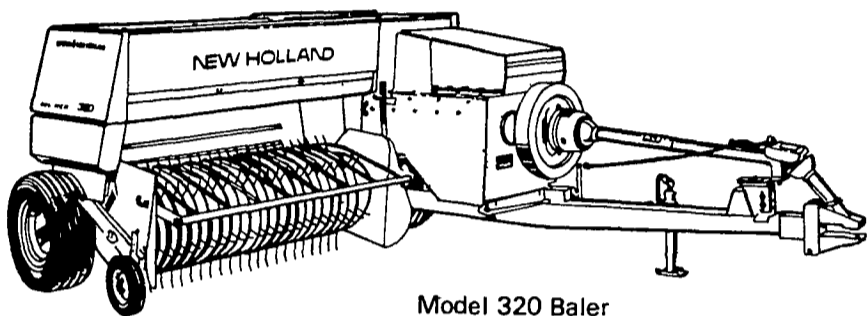


# YOUR SPERRY NEW HOLLAND DEALER SAYS: Buy early. Save big.

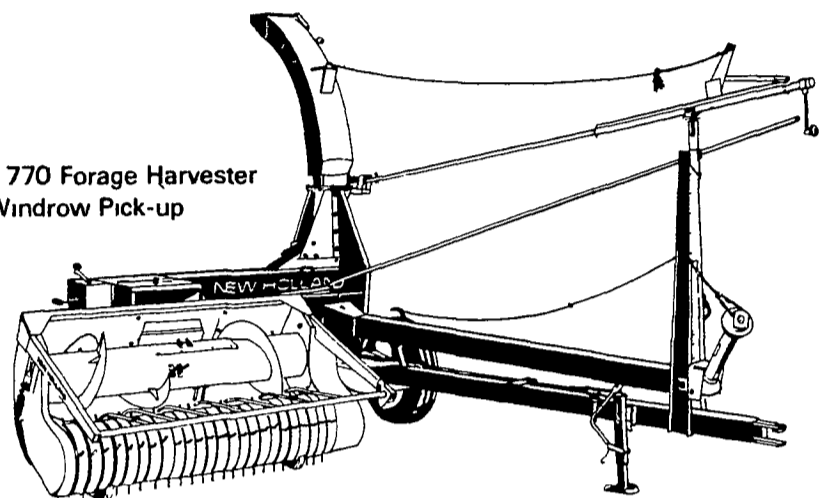
Buy your 1978 harvesting equipment now and you'll really save big! For example: Purchase a "707" mounted or "718" pull-type forage harvester, pull-type Haybine® mower-conditioner, 14" x 18" square baler or round baler by January 31st, 1978, and Sperry New Holland will send you a check for \$110.00. Purchase your Sperry New Holland combine or self-propelled forage harvester by January 31st, 1978, and receive a check from Sperry New Holland for \$650.00.



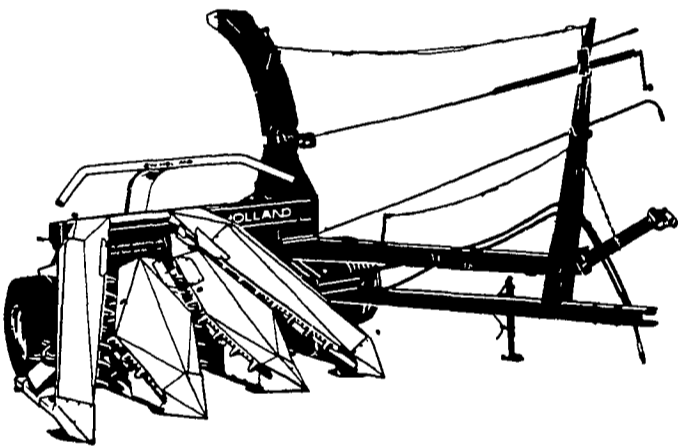
Model 320 Baler

**Save \$110**

Model 770 Forage Harvester with Windrow Pick-up

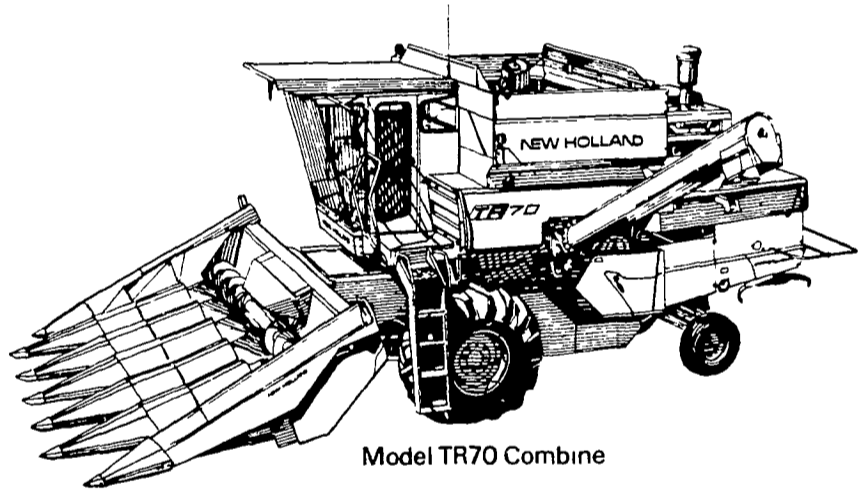


**Save \$150**



Model 890 Forage Harvester with Corn Head

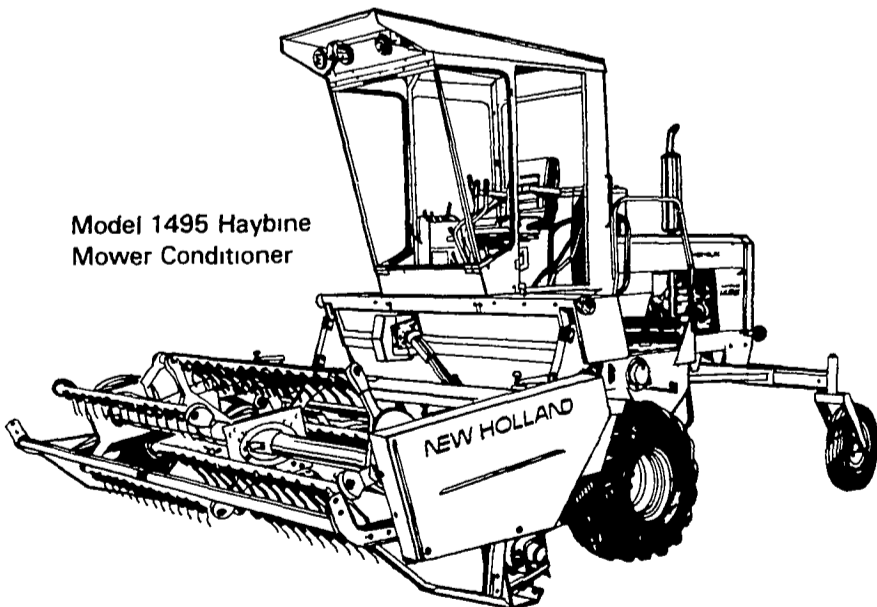
**Save \$190**



Model TR70 Combine

**Save \$650**

Model 1495 Haybine Mower Conditioner



**Save \$325**

You get FREE FINANCE, too, on all SPERRY NEW HOLLAND hay tools, combines, and forage equipment, manure spreaders, and utility loaders for farm use when financed through the SPERRY NEW HOLLAND Purchase Plan.



Contact your nearest Sperry New Holland Dealer listed on the facing page for complete details!

SPERRY  NEW HOLLAND