

Buy early. Save big.

It's Winter Buyer's Dividend time at your Sperry New Holland dealer's.

Here's the big choice of equipment included in the program.



The size of check you receive depends on month you buy.

	DEC.	JAN.	FEB.
707, 718 Forage Harvesters 478, 488, 489, 495 Mower-Conditioners 310, 315, 320 Balers 1060 Load-Rack Retriever 1002 Bale Wagon 845, 850 Round Balers 1052 Stack Retriever	\$125	\$110	\$ 85
425, 430 Balers 770 Forage Harvester 1032, 1033 Bale Wagons	\$175	\$150	\$125
1034 Bale Wagon 890 Forage Harvester 500 Baler	\$225	\$190	\$150
1495 Mower-Conditioner 1063 Bale Wagon 1100, 1112 Windrowers 1425 Baler	\$400	\$325	\$250
1068, 1069, 1075 Bale Wagons	\$500	\$425	\$350
1400, 1500, TR™ 70 Combines 1890, 1895 Forage Harvesters	\$800	\$650	\$500

NOTE: Program includes new products as listed above, plus new discontinued models of these products. Sperry New Holland reserves the right to cancel Winter Buyer's Dividend or any part thereof at any time. However, any transactions that have been made before the cancellation date will still earn a dividend.

The program starts December 1, 1977, and runs through February 28, 1978. Just note that the sooner you buy, the more you "save." That is, the bigger the size of the dividend check that we'll send to you shortly after settlement.

To make the deal even sweeter, you can finance through the Sperry New Holland Purchase Plan. Down payment may be by trade and/or cash.

You may also qualify for a 10% investment tax

credit... and an extra 20% first-year depreciation allowance, up to \$2,000, if you place your equipment in service before January 1, 1978.

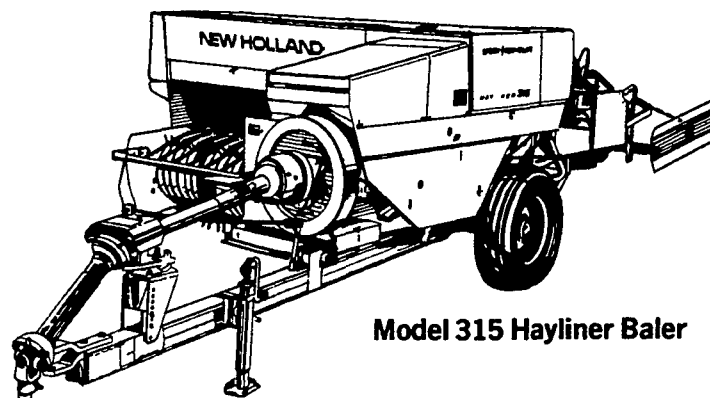
If you're going to need some of this new equipment next Spring, you may as well buy it now and receive a dividend.

Make sense? Then see your Sperry New Holland dealer for the details. The sooner the better.

Sperry New Holland is a division of Sperry Rand Corporation.

- You get Free Finance, too, on all Sperry New Holland hay tools, combines and forage equipment when financed on the SPERRY NEW HOLLAND PURCHASE PLAN:

- Hay tools to June 1, 1978
- Forage equipment to September 1, 1978
- Combines (grain) to July 1, 1978
- Combines (corn & beans) to September 1, 1978



Model 315 Hayliner Baler

← Find your nearest SPERRY NEW HOLLAND dealer on the facing page

SPERRY  NEW HOLLAND