



DEC. 5-11, 1977

Better do your shopping 'fore the snow starts dropping.

Don't wait until last minute to send Christmas cards Cartoonist Rube Goldberg died Dec 7, 1970 New moon Dec 10 Average length of days for the week, 9 hours, 9 minutes Hanukah Dec 5 King Edward VII abdicated Dec 11, 1936 He who prizes little things is worthy of great ones



Ask the Old Farmer: My father-in-law used to request the amount of pie he wished with three sizes The one I remember is "right smart chance" for large Can you fill in the other two? S K, Jackson, Wyoming

It sounds like some of our hunting friends, sizing up a duck flock They used to tell about a good chance, a smart chance, and a fair chance

Home Hints: Kerosene will soften boots and shoes hardened by water

OLD FARMER'S WEATHER FORECASTS

New England: Warm and rainy to start, then rain with snow north at midweek, week's end brings partly sunny, very cold with light snow in north

Greater New York-New Jersey: Heavy rain and warm through Tuesday, then partly sunny with seasonal showers for week's end

Middle Atlantic Coastal: Heavy rain and warm through Tuesday, remainder of week is partly cloudy with a few showers

Piedmont & Southeast Coastal: Rainy and warmer to start, scattered showers, heavier in the north from Wednesday to week's end

Florida: Week begins with showers in west, hot, midweek brings milder temperatures, some clouds, weekend is fair, cold, freeze north

Upstate N.Y.-Toronto & Montreal: Rainy and mild to start, Wednesday brings colder temperatures, rain then snow for remainder of week

Greater Ohio Valley: Rain, then clearing and warm through Wednesday, light rain or sleet expected for remainder of week

(All Rights Reserved, Yankee, Inc., Dublin, N H 03444)

Livestock market and auction news

(Continued from Page 7)

of N.Y. fresh 575-1590; load of Pa. fresh 630-830; load of N.J. springers 410-800; bred heifers 275-400; springing heifers 475-625; open heifers 125-300; local cows 510-970; bulls 290-380; herd dispersal 32 head in all stages of lactation 315-640; herd dispersal 15 Jerseys in all stages of lactation 200-570; herd dispersal 30 head in all stages of lactation 325-550; herd dispersal 19 head in all stages of lactation 400-800.

Baltimore USDA

November 28, 1977

CATTLE 375: Slaughter steers and heifers steady on limited test. Cows .50-.75 higher, not enough bulls on offer for a market test.

SLAUGHTER STEERS: Choice 2-4 1000-1300 lbs. 40.00-41.00; Good & Choice 2-4 1000-1300 lbs. 38.25-40.00.

SLAUGHTER HEIFERS: Choice 2-4 800-1000 lbs. 36.00-38.00; part load mixed Good & Choice 2-3 900 lbs. 35.00.

COWS: Utility 2-3 23.75-26.50; few low Dressing Utility 2-3 22.00-23.35; Commercial 3-4 22.10-24.10; Cutter 1-2 20.75-23.50.

FEEDER CATTLE: Scattered lots Good & Choice steers 400-550 lbs. 32.00-

35.25; few Good & Choice heifers 475-575 lbs. 25.00-28.00.

HOGS 600: Compared to last Monday Barrows & Gilts \$2.50 higher US 1-2 200-240 lbs. 42.50-43.00; US 2-3 230-260 lbs. 42.00-42.50.

SOWS: Steady to 50 cents higher. US 1-3 300-600 lbs. 31.50-32.00; few at 32.50.

VEAL & CALF AUCTION 60: Prime Vealers 150-250 lbs. 56.00-66.50; Individual 68.00-73.00; Choice 135-200 lbs. 49.00-55.00; Good & Choice 100-175 lbs. 35.00-42.00; 75-100 lbs. 26.00-34.50.

Belleville Auction

Belleville, Pa. November 23, 1977

CATTLE 165: Compared with last Wednesday's market, slaughter cows 75 cents to \$2.75 higher. Few Utility slaughter steers 27.25-27.85. Couple Standard slaughter heifers 30.00 and 30.10. Utility & Commercial slaughter cows 24.50-27.50, couple to 28.10, Cutters 22.75-25.50, Canner & Low Cutter 21.00-23.00, Shells down to

19.00. Few Yield Grade #1 1100-1900 lbs. slaughter bulls 30.25-33.00. Few Good 300-500 lbs. feeder steers 28.00-34.00.

CALVES 170: Vealers grading Standard & Good 70-110 lbs. \$7 to \$10 lower. Few Choice vealers 47.00-57.00, few Good 38.00-48.00, few Standard & Good 110-130 lbs. 33.00-40.00, 90-110 lbs. 29.00-34.50, Standard 70-85 lbs. 23.00-30.00, Utility 50-75 lbs. 5.00-25.00. Farm calves, holstein bulls 90-120 lbs. 40.00-54.50.

HOGS 269: Barrows & gilts 50 cents to \$1.50 higher. US No. 1-2 200-240 lbs. barrows & gilts 42.10-42.90, No. 1-3 200-240 lbs. 40.80-41.90, few lots No. 2-3 190-265 lbs. 38.00-40.75, No. 2-4 270-300 lbs. 38.00-39.00, No. 1-3 160-195 lbs. 34.00-36.85. US No. 1-3 350-675 lbs. sows 32.25-37.00, few No. 2-3 300-500 lbs. 28.00-32.50. Few Boars 19.00-23.00.

FEEDER PIGS 436: US No. 1-3 20-35 lbs. feeder pigs 9.50-18.50 per head, No. 1-3 35-60 lbs. 17.00-29.50, Utility 25-75 lbs. 7.50-23.00 per head.

SHEEP 13: Few Good & Low Choice 50-100 lbs. woolled slaughter lambs

40.00-48.00. Few Slaughter ewes 8.00-15.50.

Belleville, Pa. November 30, 1977

CATTLE 226: Compared with last Wednesday's market, slaughter cows \$1 to \$2 lower. Individual Good slaughter steers at 38.50, few Utility 29.00-31.75. Utility and Commercial slaughter cows 23.00-25.50, couple to 26.00, Cutters 21.75-24.50, Canner and low Cutters 19.50-22.00, Shells down to 15.50. Few Yield Grade No. 1, 1000-1550 lbs. slaughter bulls 28.75-32.50. Few Choice 400-600 lbs. feeder heifers 25.50-27.50.

CALVES 199: Vealers grading Standard and Good 70-110 lbs. \$1 to \$3 lower. Choice vealers 58.00-72.00, Good 44.00-55.00, Standard and Good 110-130 lbs. 34.00-44.00, 90-110 lbs. 25.00-33.50, Standard 60-85 lbs. 22.00-27.00. Farm Calves: Holstein bulls 90-115 lbs. 30.00-47.00.

HOGS 289: Barrows and gilts 50 cents to \$1 higher. US

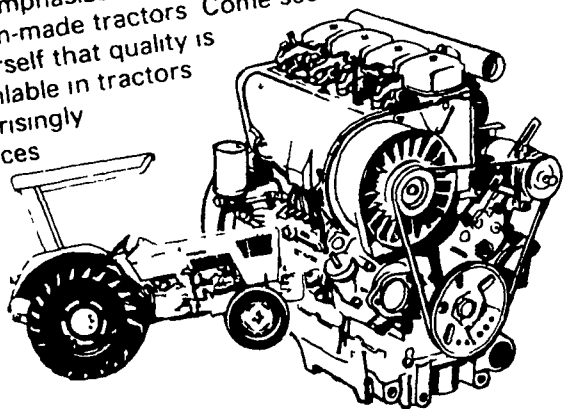
(Continued on Page 9)

more field time... less down time
Deutz does it

(SAY DOYTZ)

with air-cooled diesels engineered and machined so carefully they need no head gaskets!

The fact that Deutz diesels need no head gaskets simply emphasizes the overall quality of these precision-made tractors. Come see for yourself that quality is still available in tractors at surprisingly low prices.



WE HAVE SEVERAL 1977 DEMONSTRATOR TRACTORS FOR SALE WITH FULL WARRANTY



STAUFFER DIESEL, INC.

312 W. Main St.
New Holland, Pa.
Ph. 717-354-4181

TRIPLE THREAT-RED TRIPLE PLUS RED HOT



A daughter: Tora Triple Threat LuLu VG-87

2.01 2x 171d 10,522M 3.8% 404BF inc.
29H2775 HANOVER-HILL TRIPLE THREAT-RED R1629391 VG-87 GM

USDA 10-77 Rpt. 80%
102D. 74H. 16,383M 3.7% 609BF
PD +\$70 +604M +.07% +32BF
HFA Vol. III PDT +1.56 Rpt. 70%

TRIPLE THREAT HAS JUST RECEIVED HIS GOLD MEDAL RATING

TRIPLE THREAT is a son of Telstar EX & EXTRA

Dam: Tara-Hills Pride Lucky Barb EX 94 2E
5-05 2x 342d 22,168M 4.65% 1031BF

Now available at AMERICAN BREEDERS SERVICE
POVERTY-HOLLOW GAY MAN EX-90 GM

PD Milk +\$73 +801M -.03% +25BF Daus. ave. 19,420M!
PD Type +1.37 Sire: Seiling Rockman Ex & Extra



Bangor, PA
Ephrata, PA
Gap, PA
Holtwood, PA
Landisville, PA
Port Murray, NJ
Reading, PA
Richland, PA
Shippensburg, PA
Thomasville, PA
Whitehouse Station, NJ
West Grove, PA

Eric Heinsohn 215-588-4704
Darvin Yoder 717-733-0966
Lynn Gardner 717-656-6509
Paul Herr 717-284-4592
James Charles 717-898-8694
Robert Kayhart 201-689-2605
Robert Greider 215-378-1212
Paul Martin 717-866-4228
Jerry Babonis 717-532-3711
Ira Boyer 717-225-3758
Robert Colburn 201-534-4483
Maurice Stump 215-869-9187

