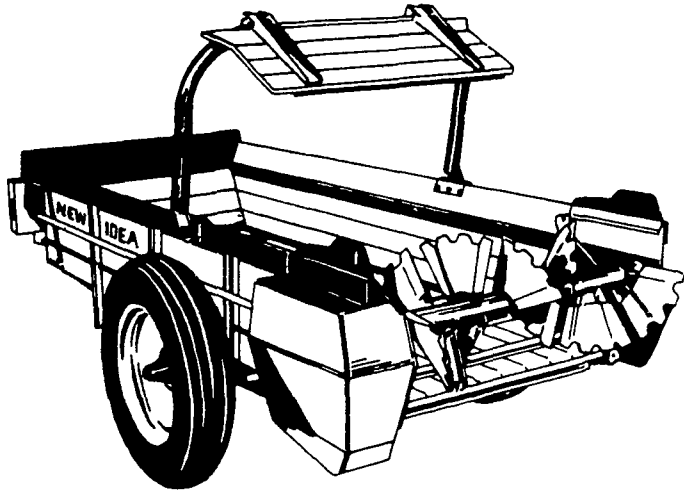


HANDLE SLOPPY MANURE!

DO IT QUICKLY AND CLEANLY
WITH A NEW IDEA

Seal in liquids until you get to the field with the use of an optional hydraulic endgate. Available on any Avco New Idea PTO spreader.

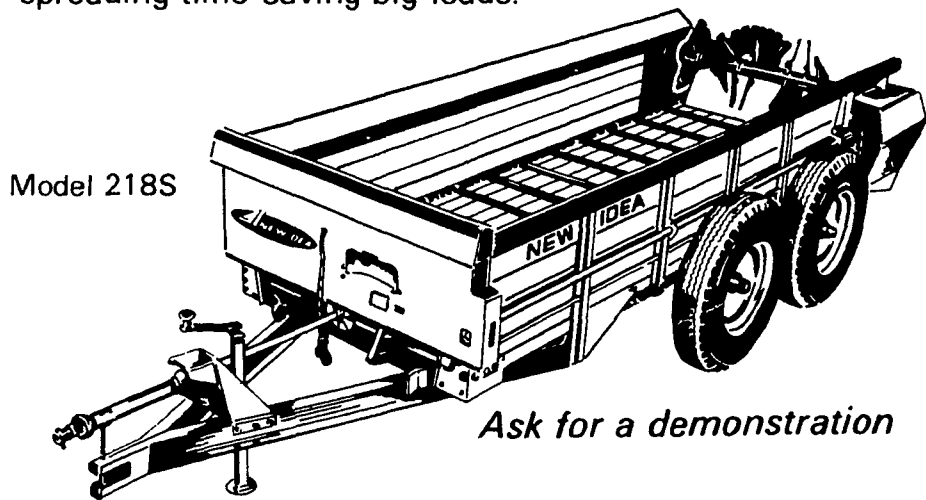


See One Today At . . .

8½ TONS PER TRIP

NEW IDEA 318 BUSHEL GIANT

The 8½-ton spreader that's built to take the punishment of huge loads. Pull it on rugged bogie axles or mount it on a truck chassis. It's got all the quality features you need for spreading time-saving big loads.



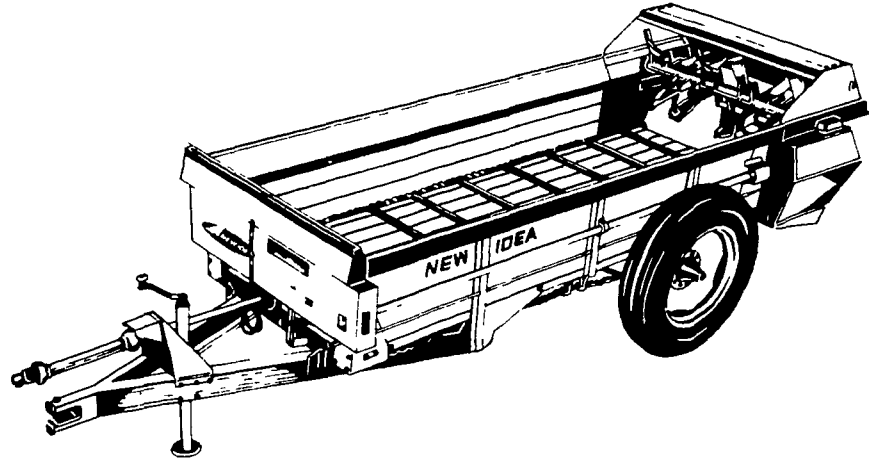
Model 218S

Ask for a demonstration

LOW COST WORK SAVERS!

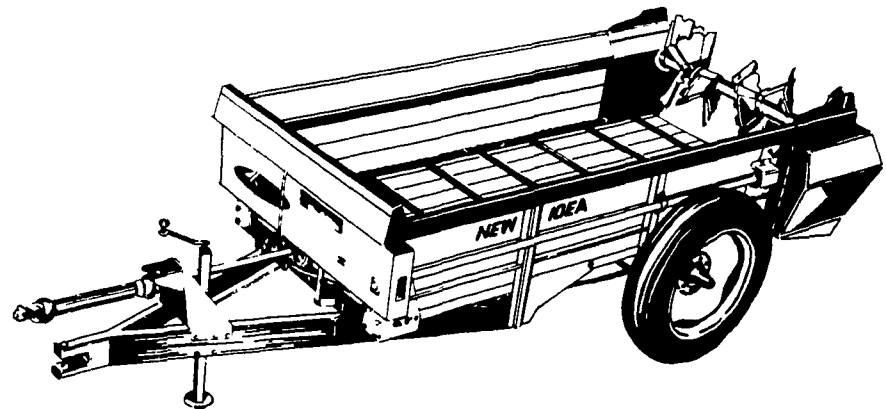
NEW IDEA FLAIL TYPE SPREADER

Handle even hard-packed or frozen manure with this unique "undershot" flail design. It throws an 80" to 90" spread down and back where the wind can't blow it off. Optional endgate available for handling sloppy loads.



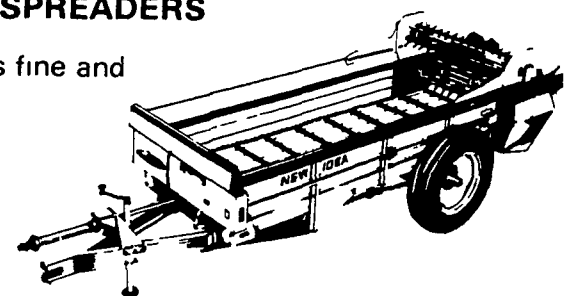
NEW IDEA SINGLE-BEATER SPREADER

Scientifically designed farm proven paddles that slice, shred, and spread. This value packed design is available in five sizes and with an optional endgate for sloppy loads.



CYLINDER-PADDLE SPREADERS

"The Widespread" shreds fine and spreads wide with 10 rows of blade-like, triple-staggered teeth. Choose the size and options you need. You'll get the quality features you want.



where the whole idea means better performance

SEE DEALERS BELOW AND ON OPPOSITE PAGE

WASHINGTON CO.

ALLISON BROS.
Main St
Hickory, Pa.
412-356 2261

FIELDS IMPLEMENT STORE
P.O. Box 97
Eighty Four, Pa.
412-222-1154

ARMSTRONG CO.

SNYDERS IMPLEMENT STORE
220 N. Grant Avenue
Kittanning, Pa.
412-543-2441

FAYETTE CO.

UNIONTOWN FARM EQ CO
P.O. Box 1030
Uniontown, Pa
412-437 9851

INDIANA CO.

W. G. SATTERLEE, INC
Main Street
Marion Center, Pa
412 397-5533

BLAIRSVILLE FARM SERVICE, INC
R D 1 - Box 625
Blairsville, Pa
412 459 9600