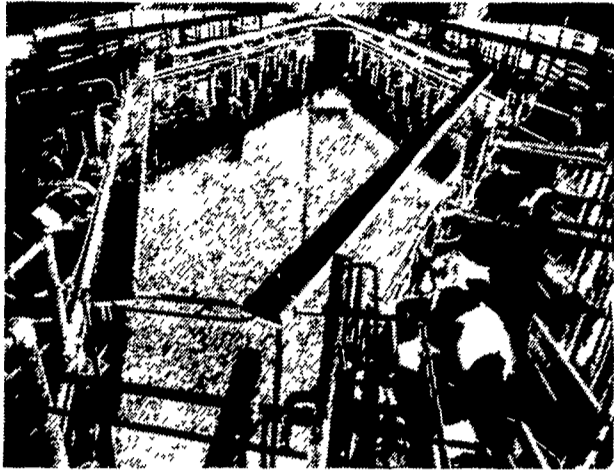


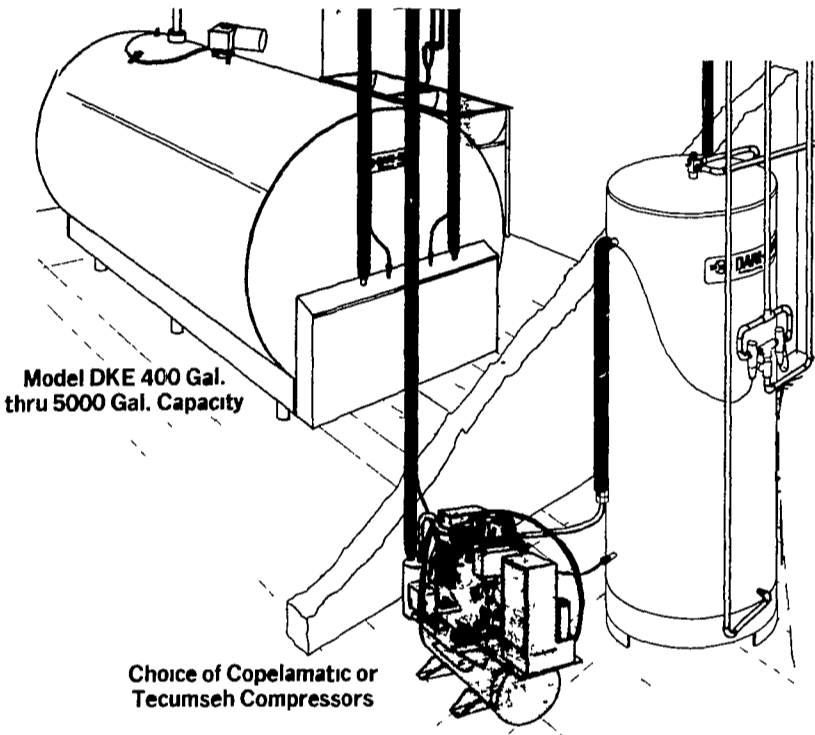
**FROM**  
**BOU-MATIC TECHNOLOGY**  
**WE OFFER YOU THE FOLLOWING:**



**THE AUTOMATED MILKING SYSTEMS**

- Around-the-Barn Pipeline Systems
- Automated Herringbones
- Automated Carousels
- Automated Polygons
- Crowding Gates
- Stimulation Stalls
- Milkers
- Automatic Detachers
- Vacuum Pumps
- Bulk Tanks
- Pipeline Washers
- Pre-Coolers
- Automated Side Opening Stalls
- Plate Cooler

Get hot water without using any electricity or fuel  
with... **DARI-KOOL THERMA•STOR**



Model DKE 400 Gal. thru 5000 Gal. Capacity

Choice of Copelamatic or Tecumseh Compressors

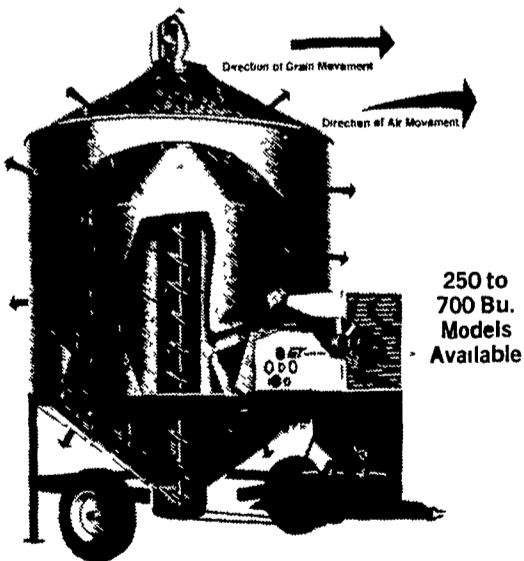
**THERMA•STOR**  
**THE ENERGY SAVER.**

- Makes 50 Gallons Of Hot Water At Up To 190 Degrees Every Time You Milk
- Makes A Gallon Of 110 Degrees Water For Every Gallon Of Milk Cooled
- Completely Eliminates Fan-Cooled Condensers
- Has Stainless-Steel Heat-Exchanger And Storage Sections For Maximum Corrosion Protection

**LET US SHOW YOU A THERMA•STOR IN ACTION**

**GT TOX-O-WIK**

**RECIRCULATING GRAIN DRYERS ARE THE ANSWER FOR AN INEXPENSIVE SET-UP**



250 to 700 Bu. Models Available

**GET IN ON OUR GRAIN DRYER SPECIAL SALE**

**▶ ONLY 2 LEFT ◀**  
**THEY'RE GOING TO BE SOLD**

**FEAURES**

1. Easier to operate
  2. Completely self-contained
  3. No augers or holding bins needed
  4. Will dry 46% moisture down
  5. Grain cleaner within the dryer
- The GT Dryer is constructed to give you the most efficient grain drying on the market today. We will deliver anywhere.

**USED BULK MILK TANKS**

- |                              |   |   |                                     |
|------------------------------|---|---|-------------------------------------|
| 1250 Gal. Mueller Hi-Perform | 600 Gal. Milkeeper, like new, Save \$1050 off new price | 300 Gal. Girton                             | 18 can Can Cooler                   |
| 700 Gal. Mueller             | 500 Gal. Jamesway                                       | 800 Gal. Girton                             | 28 Milk Cans                        |
| 600 Gal. Girton              | 400 Gal. Mojonner Vacuum                                | 300 Gal. Mojonner                           | New Egg Cooling Coil (Sell at Cost) |
| 600 Gal. Jamesway            | 400 Gal. Jamesway                                       | 625 Gal. Steinhorst                         |                                     |
| 500 Gal. Mojonner            | 300 Gal. Jamesway                                       | Several Used 3 H.P. Belt Driven Compressors |                                     |

**SHENK'S FARM SERVICE**

SALES —  
INSTALLATION —  
SERVICE —

501 E. Woods Drive

Lititz, Pa. 17543

Phone 717-626-1151

Bulk Tanks & Therma•Stor

After 5 P.M. Call Titus Burkholder 717-859-1620

Our Service Trucks Are Radio Dispatched

24 HR. SERVICE OFFERED

**Eastern names McDonald to post**

SYRACUSE, N.Y.—Eastern Milk Producers Cooperative has named Howard McDonald as permanent General Manger of the 7500 dairy farmer member organization, effective immediately. McDonald, who has served Eastern in various capacities including that of Assistant General Manager over the past 23 years, has been acting General Manager since June of this year.

Arden Tewksbury, President of the cooperative, stated on October 31, that McDonald has demonstrated considerable skill in handling Eastern's affairs during these troubled times. He said, "Without question, our Board of Directors

unanimously supports McDonald and is completely satisfied with his performance in bringing the cooperative through its most difficult days."

McDonald said, in accepting the top managerial position permanently, "I would like to express my appreciation to all of those who have remained loyal to me and to the Association." He hoped that he would continue to have full support from Eastern's membership in the future.

Eastern Milk Producers markets approximately 3 billion pounds of milk annually throughout the Northeastern part of the United States and is reported to be the nation's third largest dairy cooperative.

**USDA proposes rights**

NEW YORK, N.Y. — The U.S. Department of Agriculture (USDA) proposed amending regulations under the Plant Variety Protection Act to give Israeli citizens who develop plants that reproduce by seed the right to apply for U.S. certificates of protection.

In Israel. Further, certificates would not include a specification that the seed of the variety is to be sold by variety name only as a class of certified seed. Mr. Rollin said that a "certified seed only" specification is permitted under the U.S. law but not under laws of Israel.

Stan Rollin, an official with USDA's Agricultural Marketing Service, said the amendment, if approved, would establish international reciprocity rights for citizens of Israel equal to those now granted to nationals from West German, the Netherlands, the United Kingdom, and the Republic of South Africa.

Under the amendment, certificates issued to Israeli applicants would be good for 15 years and limited to species that are protectable

The proposed amendment appeared in the Federal Register October 28. Anyone interested may submit written views until Nov. 28, in two copies, to the Hearing Clerk, U.S. Department of Agriculture, Washington, D.C., 20250, where they will be open for public review.

Copies of the proposal are available from the Plant Variety Protection Office, Livestock, Poultry, Grain and Seed Division, AMS, USDA, Room 205, National Agricultural Library Building, Beltsville, Md., 20705.

**Sheep decline may end**

DENVER, Colo. — Solid evidence that the sheep industry is moving back into an era of growth, halting a decline that began in 1942, was reflected in speeches given at the recent Annual Meeting of the American Sheep Producers Council in Denver. The meeting was

attended by 95 delegates and directors from throughout the U.S. representing 120,000 sheepmen.

ASPC, the lamb and wool promotion arm of the sheep industry, is gearing up for an anticipated gradual growth in sheep numbers over the next few years. Richard D. Biglin, executive director of the Denver-based organization, said there are many encouraging signs including passage of the Wool Act as part of the Farm Bill that the sheep industry is halting the decline, and that the Council is planning for growth in the supplies of lamb and wool for American markets.

**Big Fall Sale BARGAINS IN ALL DEPTS.**

Register now for **51 Valuable Prizes**

- Beautiful Hamilton WALL CLOCK
- 25 large TURKEYS
- 25 Breyers ICE CREAM

Drawing — Nov. 12, at 4 p.m.

Winners will be notified.

**Truckload Sale Attic Insulation for blowing or pouring BLOWER FOR RENT**

**W. L. ZIMMERMAN & SONS**

Dept. Store Fine Foods  
Home Farm Hardware  
GULF  
Petroleum Products  
LP-GASSERVICE  
Phone: 768-8291  
INTERCOURSE, PA.

**MEMO**

**HAY, STRAW and EAR CORN SALE**

EVERY MONDAY AT 11 A.M.  
EVERY WEDNESDAY 12 00 NOON  
NEW HOLLAND SALES STABLES, INC.  
Phone 717 354 4341

Lloyd H Kreider Auct