

Balmer wins top 4-H dairy award

(Continued from Page 1)

by Miss Grace Miller, Lancaster, a retired librarian who spoke on happiness. Miss Twila Brubaker, Lancaster Co. Dairy Princess, also spoke to the group, saying she was proud that Lancaster Co. is first in the state in milk production and reminding the dairy 4-H'ers that they are the future of the dairy industry.

County roundup, district show, and judging team awards were presented to the 4-H'ers. They were:

County Roundup

Junior Showman: Jeffrey Shenk, Lititz R2, grand-champion junior showman; Anita Brommer, Conestoga R2, Ayrshire; Mary Witmer, Willow Street R1, Guernsey; Jeffrey Shenk, Holstein, and Matthew Arrowsmith, Peach Bottom R1, Jersey.

Senior Showman: Lowell Brubaker, Manheim R2, grand champion senior showman; Karen Schmuck, Peach Bottom R2, Ayrshire; Kerry Boyd, Ephrata R5, Brown Swiss; Connie Balmer, 572 Millway Road, Lititz, Guernsey; Joyce Denlinger, Gordonville, Holstein, and Ellen Schmuck, Peach Bottom R2, Jersey.

Junior Champions: Kristina Esbenshade, Quarryville R2, Ayrshire;

Judy Witmer, Willow Street R2, Brown Swiss; Jay A. Garber, Willow Street R2, Guernsey; Douglas Hershberger, Quarryville R4, Holstein, and Patrick Bukowski, Mount Joy R1, Jersey (grand champion).

Grand Champions: Karen Schmuck, Ayrshire; Kerry Boyd, Brown Swiss; Connie Balmer, Guernsey; Sandra Frey, Willow Street, Holstein, and Matthew Arrowsmith, Jersey (senior champion).

District Show

Patrick Bukowski, Jersey junior champion; Karen Schmuck, Ayrshire grand champion.

Blue merit project winners were:

Ayrshire - Anita Brommer; Kristina Kay Esbenshade; Kevin Eshleman, Elizabethtown R3, and Karen Schmuck.

Brown Swiss - Kerry Boyd; Judy Witmer; Lois Wanner, Narvon R2.

Jersey - Patrick Bukowski; Michael Bukowski, and Ellen Schmuck, Peach Bottom R2.

Guernsey - Carol Balmer; Connie Balmer; Gerald Garber; Joe Rohrer, 1107 Lane Valley Road; Charles Weaver, 560 Millway Road, Lititz; and Clarence M. Weaver Jr., 560 Millway Road, Lititz.

Holstein - Linda and Nancy Akers, Quarryville

R1; Rhonda Balmer, Lampeter; Sheryl Bollinger, Lititz R4; Phil Crouse, Stevens R1; Joyce Denlinger, Gordonville; Martha Gregory, Lititz R1; Larry Groff, Kinzer R1; Debbie and Doug Hershberger, Quarryville R4; Larry and Stephen Hershey, Manheim R6; Jeff Hess, Strasburg R1; Susan Hess, Quarryville R2; Randy Houser, 1520 Lampeter Road; R. Steven Kauffman; Arlen H. Keener, Elizabethtown R1; Dennis Kulp, Manheim R1; Buddy Shenk, Lititz R2; Jeff Shenk, Lititz R2; Steve M. Spayd, Quarryville R1; Alice Kay Stauffer, Ephrata R1; Jane, Joyce and Leonard Stoltzfus, Gap R2.

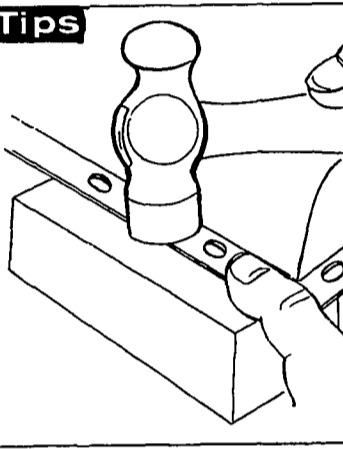
Judging Team: Cheryl Bollinger, Kerry Boyd, Doug Hershberger, and Dennis Kulp.



Top award winners in the project scores included: left to right, in back, Carol Balmer, R. Steven Kauffman, and Kerry Boyd, and in front, Kristina Kay Esbenshade and Patrick Bukowski.

Auto Service Tips

When replacing oil pan, timing cover or valve covers, first tap gasket flanges with hammer against a piece of bar stock. This eliminates dimples caused by previous tightening of bolts and improves gasket seal.

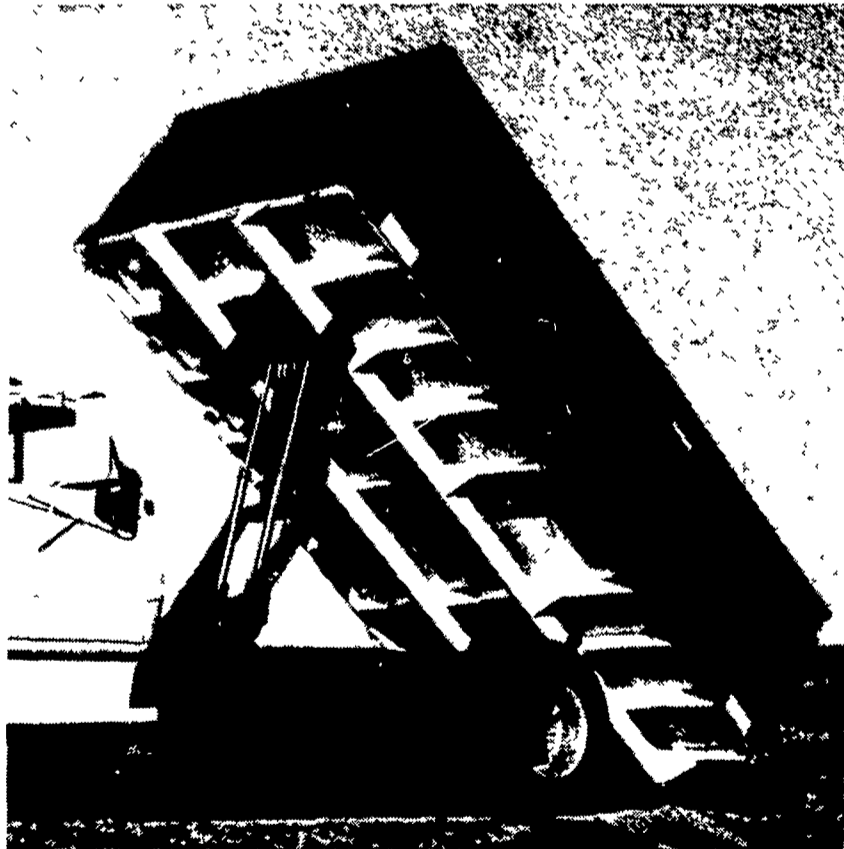


RIGID LIFT-105

PATENTED PROTECTION - HANDLES ACCIDENTAL OFF-LOADING WITH NO BOX TWISTING - STRENGTH TO SPARE!

FEATURING . . .

- HIGH POLISHED HARD CHROMED CYLINDERS
- DOUBLE ACTING CYLINDERS
- HIGH PRESSURE FITTINGS AND HOSE



RECOMMENDED FOR SINGLE AXLE TRUCKS WITH 14 TO 18 FT. TRUCK BODIES.

We offer SALES, SERVICE, AND Installation for Harsh Truck Hoists

FARMERSVILLE EQUIPMENT

INC.

RD. 4, Ephrata, PA

717-354-4271

STORE HOURS: MON. THRU FRI. 7:30 TO 5:30 - SAT. 7:30 TO 3:00



Mix and feed with ease

Handle grinding and mixing chores in a hurry with a Gehl Mix-All® Hydraulic and mechanical drives available for easy loading. And big 21" mill grinds feed efficiently. Unloading auger with optional extension lets you unload just about anywhere. See us today and learn more about the Mix-All.

GEHL®
FARM EQUIPMENT

ZOOK'S FARM STORE
Honey Brook, PA

NISSLEY FARM SERVICE
Washington Boro, PA
717-285-4844

S. JOHNSON HURFF
Pole Tavern
Monroeville, NJ
609-358-2565 or
609-769-2565

STOFFER BROS. INC.
Chambersburg, PA
717-263-8424

ARNETT'S GARAGE
Rt. 9 Box 125
Hagerstown, MD
301-733-0515

NEVIN N. MYER & SONS, INC.
Chester Springs, PA
215-827-7414

UMBERGER'S MILL
Rt. 4 Lebanon, PA
(Fontana)
717-867-5161

A. L. HERR & BRO.
Quarryville, PA
717-786-3521

BINKLEY & HURST BROS.
133 Rothsville Station Road
Lititz, PA
717-626-4705

PEOPLE'S SALES & SERVICE
Oakland Mills, PA
717-463-2735

N. G. HERSHEY & SON
Manheim, PA
717-665-2271

AGWAY, INC.
Chapman Equip. Center
Chapman, PA
215-398-2553

CHAS. J. MCCOMSEY & SONS
Hickory Hill, PA
215-932-2615

WERTZ GARAGE
Lineboro, MD
301-374-2672

LEBANON VALLEY IMPLEMENT CO., INC.
Richland, PA
717-866-7518

CLAIR J. MYERS
Lake Road R1
Thomasville, PA
717-259-0453

WILLIAM DAUGHERTY
R.D. #2
Felton, PA
717-244-9787

ERNEST SHOVER FARM EQUIPMENT
19 W. South St.
Carlisle, PA
717-249-2239