

NEPPCO plans New Year's Eve for Nov. 13-15

FAIRLESS HILLS - "Why not," says NEPPCO president, Dick Stark. "Different people of the world celebrate New Year's Eve on different dates, so why shouldn't NEPPCO members - at their last banquet before becoming PEIA members - celebrate the occasion by ringing out the old and ringing in the new"

The New Year's Eve Party promises to be the social highlight of the 3-day NEPPCO Expo '77 scheduled for the Host Farm, November 13-15. The Host Farm is a huge resort type convention facility on U.S. 30 about five miles east of Lancaster. NEPPCO Expo will feature two floors of poultry industry exhibits, an indepth educational program, a special program for the ladies and a Youth Program.

Starting at 7:30 p.m. on Monday, Nov. 14, the NEPPCO New Year's Eve Party in the Host Farm's Cabaret will be a gala affair from start to finish. The menu, itself, is being billed as "a gourmet's delight and a poultryman's dream". It was developed by Dave Abrahams, Host Farm's food and beverage manager, in consultation with Liza Phillips, home economist for the Virginia Poultry

Products Commission. The program, according to Stark, will be fast-paced and fun-filled. No long speeches, he promises, but a few surprises, some good, clean humor and lots of merrymaking.

Stellar attraction of the evening will be the personal appearance of one of the all-time greats of the music world, Lionel Hampton. He and his orchestra will provide dinner-dance music and will later present a full hour's entertainment.

All NEPPCO members staying overnight at the Host Farm will receive banquet tickets without additional charge. Tickets for those not staying overnight at \$15.30 if ordered before Nov. 1; \$18 thereafter.

A special ladies program has been planned by a committee under the direction of Eliza Stark, wife of NEPPCO's president. A Ladies' hospitality center will be open throughout the Convention. A small gift will be given to all ladies who visit it.

On Monday, Nov. 14, the ladies will gather in their hospitality center for a short talk by Joyce Hershey, a member of the committee who, with her husband, owns and manages Hershey Equipment Company of Lancaster. Afterward, they will board buses for a 15-minute trip to Park City, one of the largest indoor shop-



Talking about food, this quintet met recently at the Host Farm, Lancaster, to plan the meals for NEPPCO Expo '77 to be held there Nov. 13-15. Shown seated (l to r) are Mrs. Richard I. Stark, wife of NEPPCO's president and in charge of the ladies program; Mr. Dave Abrahams, Host Farm's

food and beverage manager; and Mrs. Liza Phillips, home economist for the Virginia Poultry Products Commission. Standing are June Grube and Linda Franz, Lancaster County 4-H agents who are assisting with the NEPPCO youth program.

ping malls in the East, for a few hours of shopping and lunch. A number of do-it-yourself tours to the many local attractions will also be available as an alternative to the Park City trip.

On Tuesday morning, Nov.

15, the feature attraction of the ladies program will be a lecture-demonstration starting at 11:30 a.m. on how to make various Holiday decorations for the home. Mrs. Rhoda S. Oberholtzer, head of the famed Floral

Design and Craft Department at Stauffers of Kissel Hill, will be in charge. Printed instructions for making many of the decorations will be distributed. A luncheon will follow the demonstration.

Copies of the complete Convention Program as well as registration and hotel reservations forms are available from NEPPCO, 322 Oxford Valley Road, Fairless Hills, Pa. 19030, telephone 215-547-0190.

Mo. is No. 1

ST. JOSEPH, Mo. - The largest Angus state, in terms of registrations the past year, was Missouri with 26,055 head, followed by Iowa with 19,434 head. Missouri was also first in transfers with 16,593 and Iowa was second with 13,291 head. Missouri was first again in the number of new members joining the Association with 195. Tennessee was second with 177 new members. Illinois ranked number one in the number of new junior members joining the American Angus Association with 117. Missouri was second with 109 new junior Angus members.

THERE'S A PETER THAT'S BETTER FOR YOUR APPLICATION



Compact Mini-Diesels Ranging from 1 1/2 H.P. to 20 H.P.

HOOVER DIESEL SERVICE

Petter Diesels Sales & Service Ph 717 656 6133 2998 West Newport RD Ronks, PA 17572

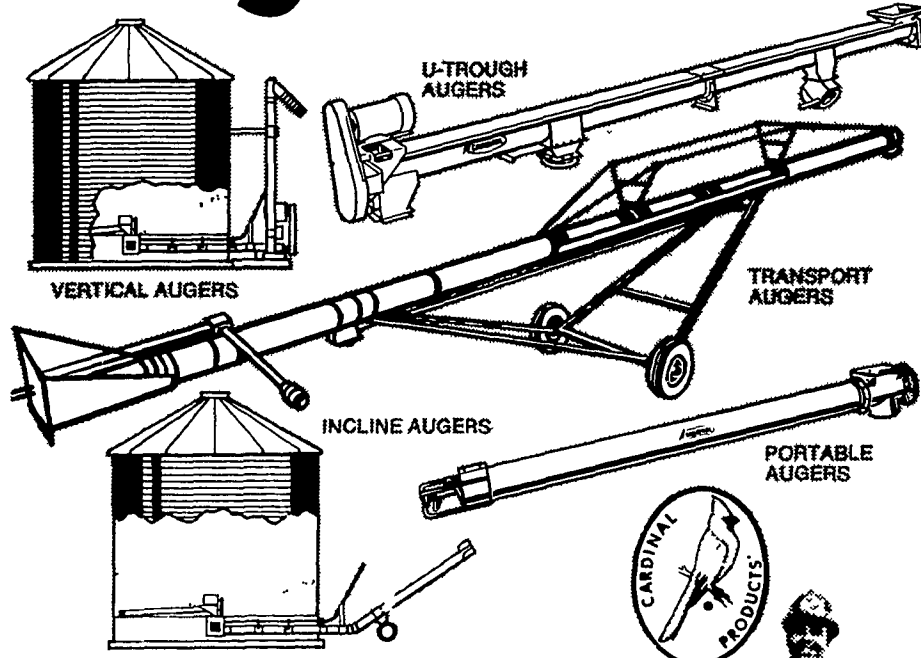


FARM FANS

WHY BABYSIT YOUR DRYER?

BUY AN AUTOMATIC STAGED CONTINUOUS FLOW FARM FAN DRYER.

The grain movers.



It's Cardinal it works. Why fool with piecemeal methods and makeshift machinery? The Cardinal line of grain movers includes the high-efficiency equipment you need for a hard-working, productive farm or commercial grain and feed handling installation.

Let us, your Cardinal Mechanization Contractor, help you plan, select and install a Cardinal grain-handling system.



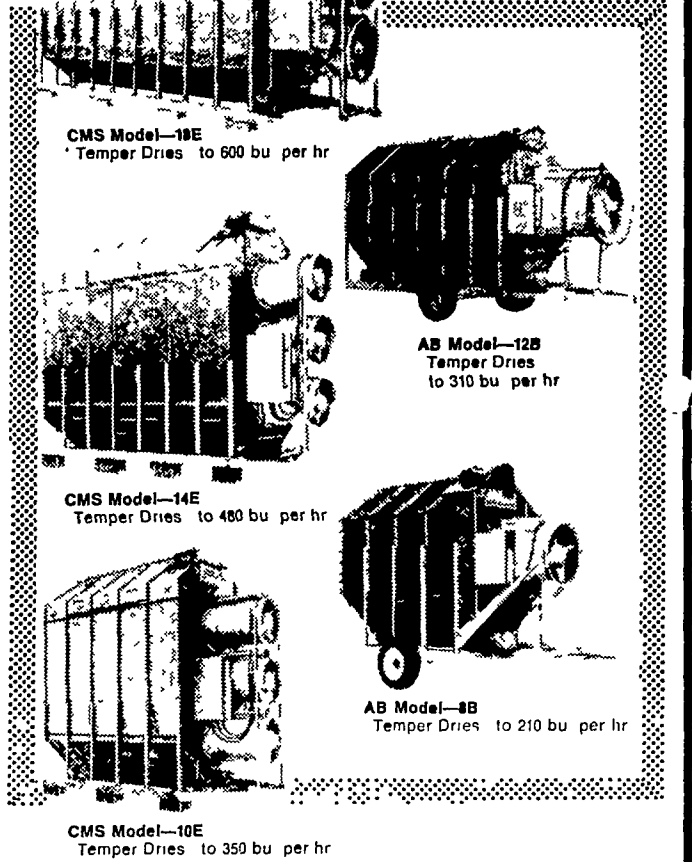
Full Line Parts Dept.

WE SELL, SERVICE AND INSTALL
E. M. HERR EQUIPMENT, INC.

R.D.3 Sprecher Road, Willow Street, PA.

717-464-3321

"TEMPER DRY" YOUR GRAIN FOR PROFIT



NEW & USED DRYERS IN STOCK

USED FARM FAN AB8 DRYER
USED FARM FAN AB12 DRYER

FARM FANS offers you a choice of 5 outstanding grain dryers—3 CMS models that utilize the exclusive continuous multi-stage principle. 2 AB models that utilize the staged automatic principle. All 5 dryers are fully automatic. They cost less to buy and less to operate.