

Agromatic

AN OLD NAME WITH A
NEW MEANING FOR YOU

- MANURE PUMP
- SILO UNLOADERS
- FEED CONVEYORS
- TRAVEL FEEDERS
- BARN EQUIPMENT
- WATER BOWLS
- HOOF TRIMMING STALL
- COW MATS



Agromatic

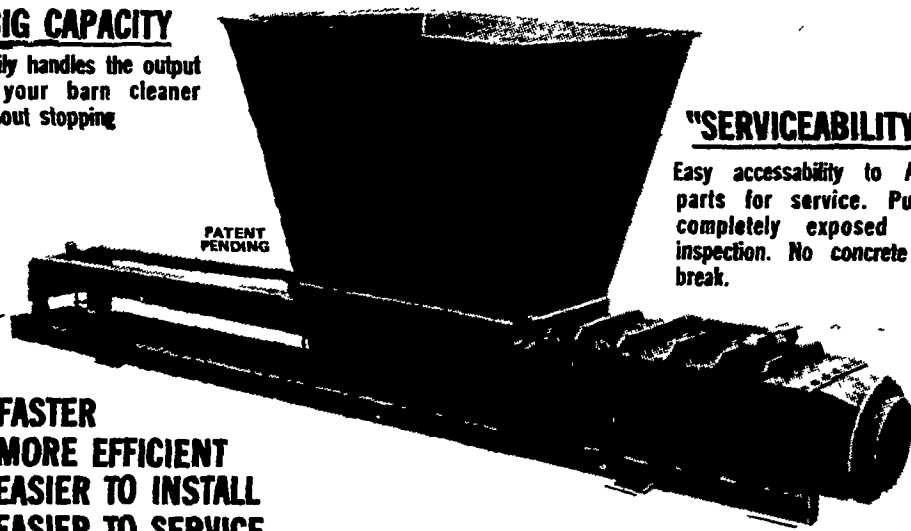


FEED AND MANURE HANDLING EQUIPMENT

**THE MODERN
HYDRAULIC MANURE PUMP**

BIG CAPACITY

Easily handles the output of your barn cleaner without stopping



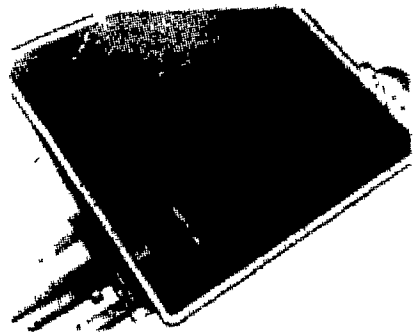
"SERVICEABILITY"

Easy accessibility to ALL parts for service. Pump completely exposed for inspection. No concrete to break.

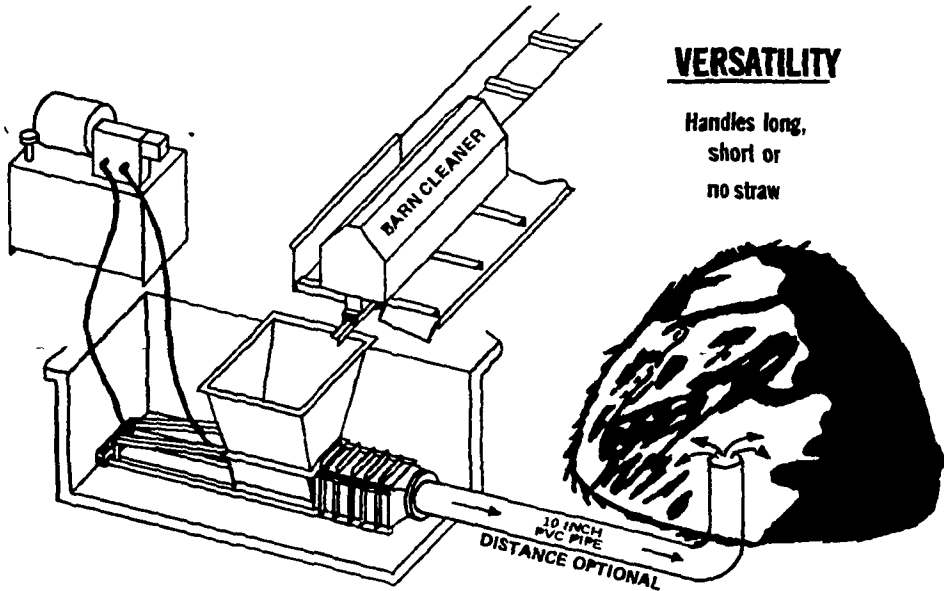
- ★ FASTER
- ★ MORE EFFICIENT
- ★ EASIER TO INSTALL
- ★ EASIER TO SERVICE

SUPER EFFICIENCY

- A. Big 12" square plunger.
- B. Big 12" square check valve.
- C. Enjoy advantages with 10' underground pipe.
- D. Positive movement of all materials assured.
- E. Adjustable stroke (from 6-12 per minute).
- F. Pump a big 12 cu. ft. of manure per minute.



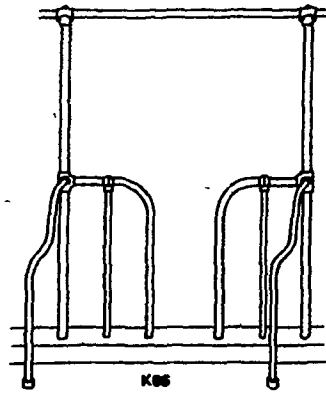
The large 12" x 12" plunger is designed to move 12 cubic feet of manure per minute. Angle iron guide assures perfect head alignment.



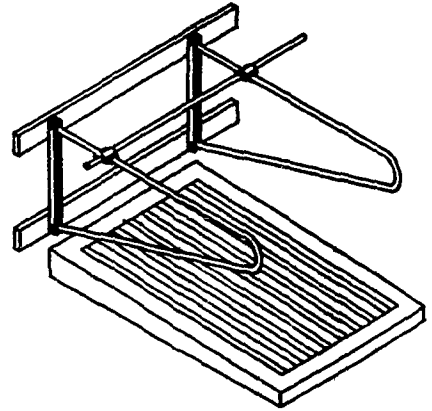
VERSATILITY

Handles long, short or no straw

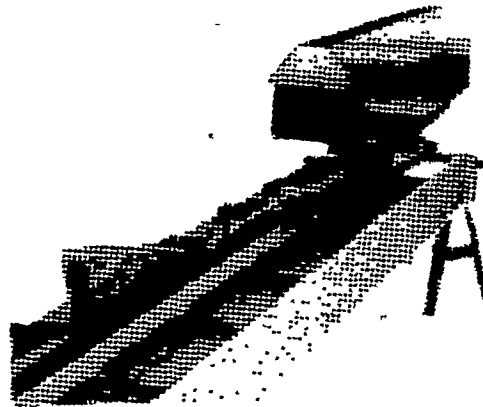
BASIC TOOLS TO PROFITABLE FARMING



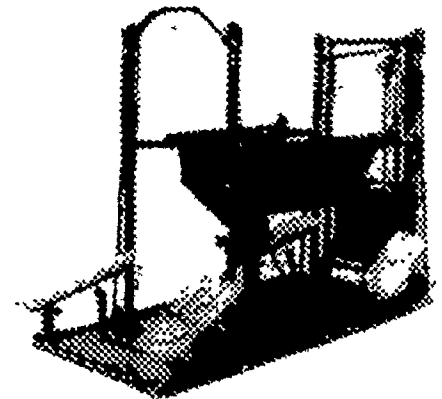
TIE STALLS



FREE STALLS



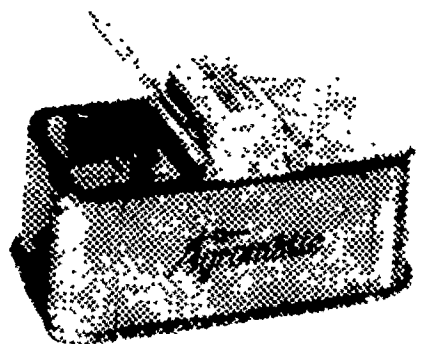
BARN CLEANERS



HOOF TRIMMING STALLS

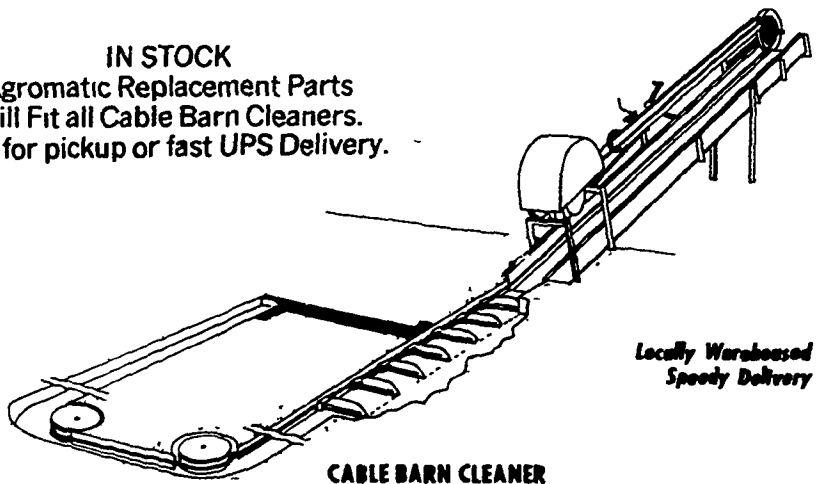


WATER BOWLS



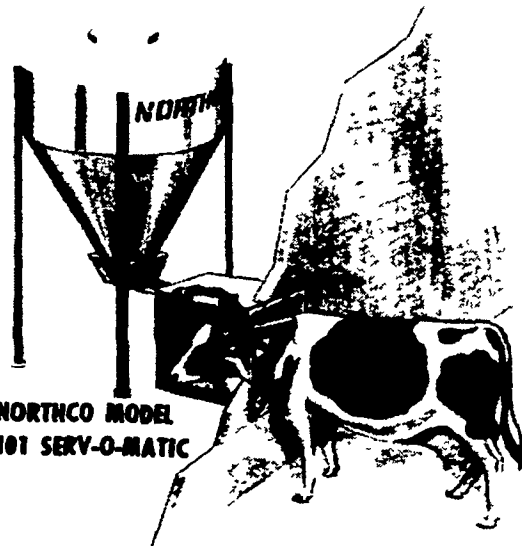
HEATED WATERERS

IN STOCK
Agromatic Replacement Parts
Will Fit all Cable Barn Cleaners.
Call for pickup or fast UPS Delivery.



CABLE BARN CLEANER

Locally Warehoused
Speedy Delivery



NORTHCO MODEL
101 SERV-O-MATIC

The "Magnet Feeder" That
Selectively Feeds Concentrate
or High Moisture Corn

NORTHCO
Serv-O-Matic
Dairy Feeder



RYDER SUPPLY CO.

R.D. 8, P.O. Box 219
Chambersburg, Pa
Phone 717 263-9111

Barn and
Feed Lot
Equipment