

Mail Box Market

For Sale - Bee hives, \$60 for two colonies; 3 frame nucs with queen, 25, honey supers with drawn comb, \$17; honey extractor, \$70. Ph: 717-937-4641.

For Sale - J.D. 3020 diesel; left-hand tank manure spreader; hay dryer. Ph: 717-733-4509.

For Sale - 6006 Deutz \$3900. Ph: 717-859-2792.

For Sale - Round corn fodder bales, \$20 a bale. Ph: 717-626-6014.

For Sale - 50 feeder pigs, 3 way cross, 45 lb. average, 85 cents. Service age Duroc boars. Ph: 717-665-7917.

Mail Box Market

For Sale - Two 54" fans, 3 H.P. Dayton motor, good condition. Excellent for dairy or steer operation; 215-593-5662.

International Harvester L500, air conditioner. I.H. C28 disc harrow with cultipacker. 717-626-5505.

Wanted to buy or exchange rubber tires for steel wheels on MF 175 American model, size about 14 x 52 inches. Contact Daniel Z. Zimmerman, R.D. 1, Glennbrook Rd., Leola.

For Sale - Chicken manure from broiler houses. Ph: 717-464-3669.

Mail Box Market

For Sale - 1969 Dodge power wagons 85000 GVW with 8000 lb. front mounted winches. -318 V-8, with 4 speed and locking hubs. \$1495. -Roger C. Davis, Box 392, R.D. #1, Glen Gardner, New Jersey 08826.

Broken-Bit 4-H club horse show at Friendly Horseman's Club, Denver, Pa. at 11:00 AM May 15, 1977. Carol Thomas, Judge.

Wanted - Compressor for on a 12-can milk cooler. Also, FOR SALE - Bale thrower for Allis Chalmers Baler. John Zimmerman, Cabin Drive, Hinkletown Pa.

Mail Box Market

For Sale - Farmall H tractor, good rubber, good paint needs valve work \$700; McCormick Deering 8 ft. double roll cultipacker \$125. Ph: 717-345-6276.

For Sale - #15 IH hay rake, very good, Franklin County. Ph: 717-263-2393.

For Sale - John Deere 999 Corn Planter like new. Ph: 717-656-9013.

For Sale - FR 70-14 tubeless w/w Davis radial tire, new, \$25. Ph: 717-274-1242.

For Sale - 1968 Chevelle, Gold, Bucket seats, console, very clean, ex cond Ph 717-733-6741.

Mail Box Market

For Sale - Used school buses, prices start at \$1200. Ph: 717-397-8939.

For Sale - Pony gelding, gentle, rides and drives; dairy goat and two kids, buck and doe; ARC Britany female spaniel, 11 mos. started to hunt. Ph: 717-284-2927.

For Sale - NI crimper late model big wheels; NH tank spreader, \$195; IH grain drill fert. and alfalfa boxes, \$395. Ph: 717-354-0266

For Sale - 1 pair 8 year old sorrel mules ready to go, \$2000. Joseph B. Zook, R.D. #3, Waterway Road, Oxford, Pa. 19363.

Mail Box Market

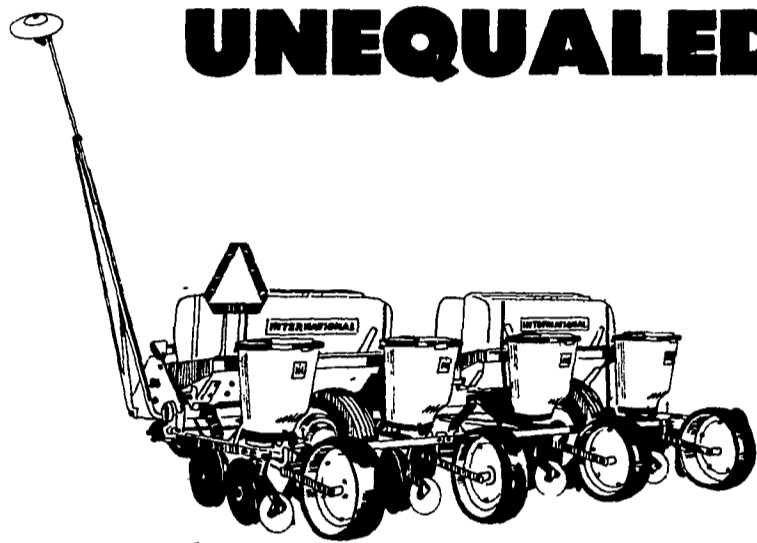
For Sale - Esco 350 milk tank w/compressor in 2 weeks \$400. Ford 309 cornplanter \$500; JD 65 blower \$550. Ph: 717-896-3504.

Black raspberry plants, Bristol, Cumberland, New Logan; grown from cert. stock. Fresh dug, will hold till planting. Reasonable prices. Ph: 717-244-3250

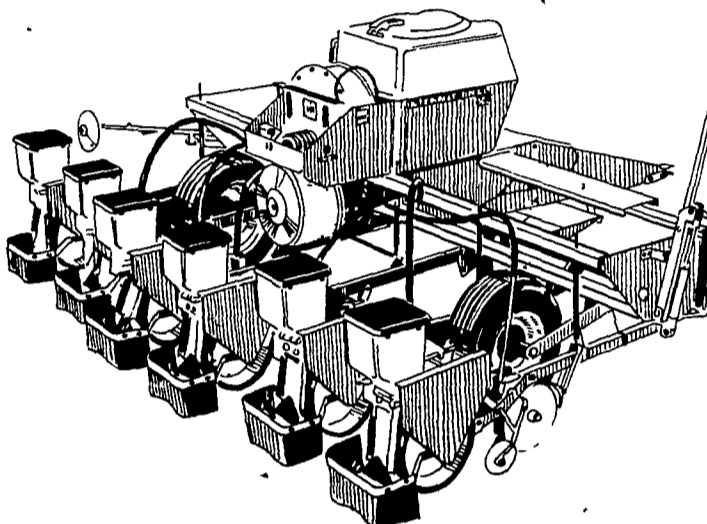
For Sale - Registered purebred Charolais bull and cows; Litton breeding. [2] 14 trailer plow will swap for grain drill or harrow. Ph 717-432-5731

IH. INTERNATIONAL PLANTERS

UNEQUALED IN THE FIELD



56 PLANTER
IN STOCK 2 & 4 ROW



400 CYCLO
IN STOCK 4 & 6 ROW HYDRAULIC DRIVE

OPTIONS AVAILABLE ON EITHER PLANTER

- DEPTH GAUGE WHEELS
- FERTILIZER-DRY OR LIQUID
- NO-TIL COULTERS
- INSECTICIDE
- FERTILIZER LOADING AUGERS
- CHOICE OF MONITORS

USED TRACTORS

J.D. 3020	J.D. 4010 w/cab
IH 666 D hydro	Ford 741
IH 460 gas Farmall	Farmall 504
IH 544 gas utility	Farmall 656 gas
IH 1066 w/cab	Farmall 544, gas
IH 1466 w/cab	Oliver 1250
IH 1066 Hydro	Case 830

USED TILLAGE TOOLS

- 45 vibra shank, 12 1/2' mtd.
- 153 rolling cultivator, 6 row
- A.C. 5-bot. plow, semi-mount
- Krause 1428 Rock-Flex disk, auto., semi-mount, 24'10"
- IH 37 disk, 11'6"
- Miller 12' offset disk, notched blades measuring 21", \$3695
- IH chisel plow, 9 ft. mtd.
- IH 315 packer mulcher, 12 ft. 4"
- Oliver 25 ft. wing disk
- IH 450 plow 3F, auto., Mtd.

USED PLANTERS

- 53 Cultivator - 4 row
- IH 456 planter, 4 row, runner, openers, fertilizer
- JD 449A planter, 4 R, fertilizer, DD openers
- Case chisel planter, 6 R
- Massey Ferguson Model 43 grain drill 22x7
- IH 400 cyclo planter, 6 row w/fertilizer, insecticide, minimum til attachment
- IH 400 cyclo planter, 4 row, 1975, w/fertilizer, insecticide, no-til attachments, \$3800

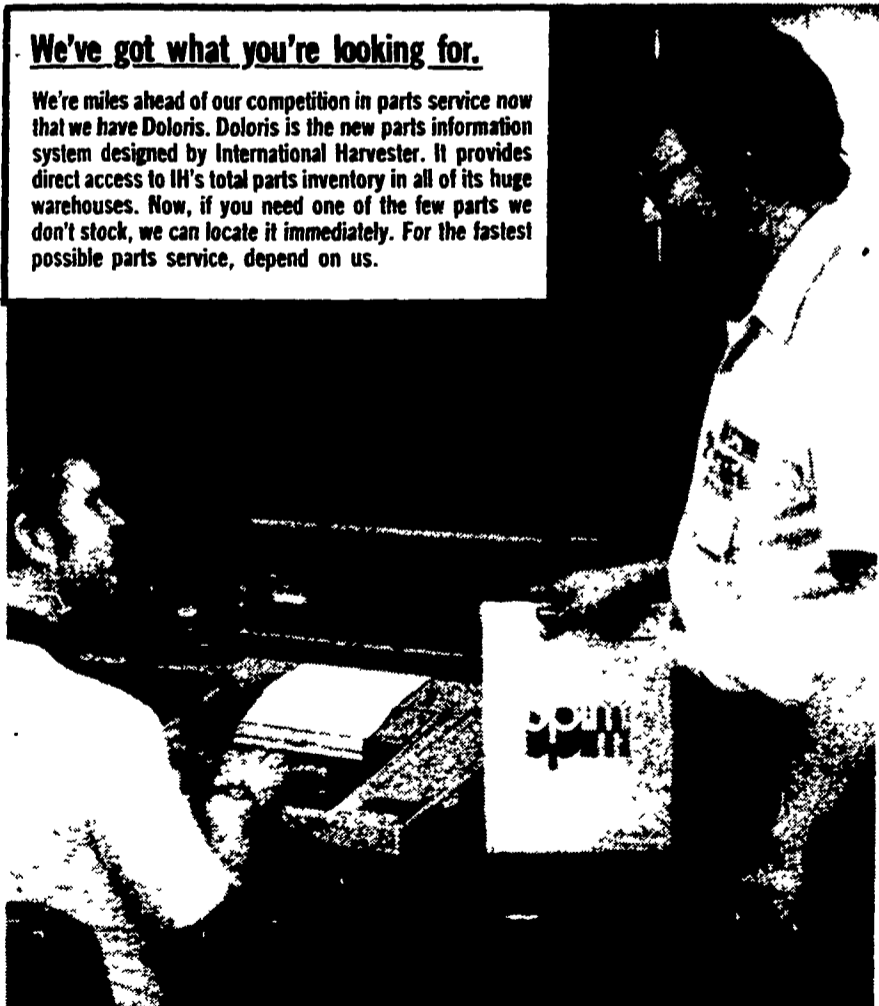
USED EQUIPMENT

- JD 1300 Planter, DD openers, 6 row
- IH 16 rake, rebuilt w/new teeth and bearings
- New Idea 214 spreader (new) w/hydraulic endgate, less cylinder
- Mott - 72" hammer knife mower, demo. \$800

Call Dick Bomberger CALL US. IT COULD BE WE HAVE IT.

We've got what you're looking for.

We're miles ahead of our competition in parts service now that we have Doloris. Doloris is the new parts information system designed by International Harvester. It provides direct access to IH's total parts inventory in all of its huge warehouses. Now, if you need one of the few parts we don't stock, we can locate it immediately. For the fastest possible parts service, depend on us.



USED COMBINE SPECIALS

- Massey 750 w-6 row corn head, 13 ft. platform
- N.H. TR70 w-4 row corn head, 13 ft. platform

LISTER DIESEL ENGINES

MORE HORSEPOWER FOR LESS MONEY

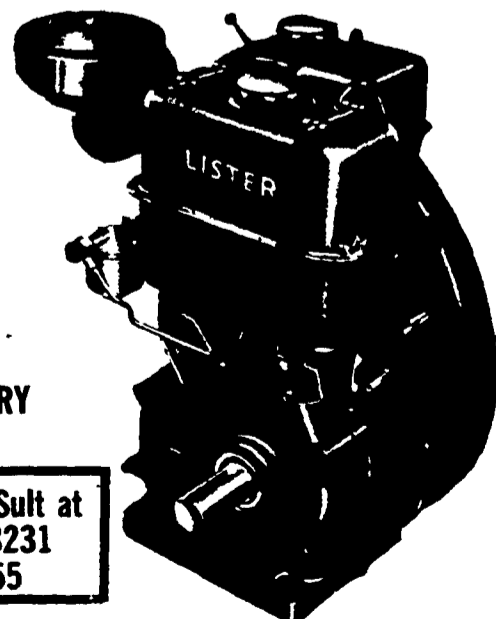
NEW DIESEL AT OLD PRICES

- ST 2 - 20 H.P.
- ST 3 - 30 H.P.

YOUR LISTER DIESEL DEALER FOR 15 YEARS

ON HAND FOR IMMEDIATE DELIVERY

24-Hour Service - Contact Gratz M. Sult at C. B. Hooper & Son, Phone 768-8231 After 5:00 P.M. Phone 768-8555



RADIO CONTROLLED TRUCKS FOR BETTER SERVICE

C. B. HOOBER & SON INC.

INTERCOURSE, PENNA.

(717) 768-8231

AUTHORIZED UPS STATION

