



## CHESTER DHIA MONTHLY REPORT

A pair of Chester County Holsteins topped the 1000 pound butterfat barrier for lactations finished during the February DHIA testing period. Robert Pepple's No. 194 produced 22,471 pounds of milk, testing 4.6 per cent 1024 pounds of butterfat. The 10-year old completed the record in 305 days. In second place was Ben Beiler's "Mart" with credits of 24,182M, 4.2 per cent, and 1013 pounds of butterfat. The top milk producer for the lactation period was "Millie," owned by David Weaver. The 6-year old Holstein produced 26,552 pounds of milk, testing 3.6 per cent, for 943 pounds of butterfat.

NAME OF HERD OWNER	BREED	NO. COWS	COW DAYS IN MILK	MILK LBS	FAT	FAT LBS
Jacob K. Stoltzfus	3	56.2	90.5	56.5	4.2	2.35
David E. Weaver	3	51.0	90.9	54.7	4.3	2.35
John S. Stoltzfus	B3	56.9	98.3	54.0	4.2	2.27
Robert E. Pepple	3	75.0	87.0	53.0	4.3	2.26
George P. Lamborn	B3	41.2	85.9	51.9	4.3	2.22
John M. Umble	3	43.0	83.6	49.6	4.2	2.08
Paul M. Snader	B8	30.7	94.9	52.9	3.9	2.08
J. Elmer Lapp	3	32.1	89.6	50.7	4.0	2.05
Ardrossan Farms	1	118.1	85.5	43.4	4.7	2.03
Richard Proud	B3	49.0	94.3	49.1	4.1	2.03
James V. Yale	B3	66.0	94.8	43.8	4.6	2.01
Omer S. Smoker	B3	81.0	94.6	51.4	3.9	2.00
Harold Umble	3	42.5	91.7	48.6	4.1	1.98
Lester Eby	B3	58.1	93.2	50.9	3.9	1.97
Elmer A. Mast	B8	72.4	90.9	44.1	4.4	1.96
Vernon C. Ruth	3	48.6	93.5	48.3	4.1	1.96
Merle J. King	B3	79.9	95.7	48.4	4.0	1.95
Kauffman Bros.	3	62.1	95.1	48.1	4.0	1.94
Walmoore	B3	140.7	92.2	45.7	4.2	1.91
Ronald F. Elliott	B3	64.8	94.0	45.3	4.2	1.90
Samuel B. Acker	B3	216.7	88.9	45.1	4.2	1.89
Mast Stoltzfus	B3	52.8	87.0	45.5	4.2	1.89
Hustlers Haven	B8	60.4	84.3	46.0	4.1	1.89
Willowland Farm	3	60.5	91.6	46.3	4.0	1.87
Newton Evans, Jr.	3	83.4	91.1	52.4	3.6	1.87
Walmoore No. 3	B3	135.2	93.1	46.8	4.0	1.87
Jonas Z. King	B3	34.5	90.4	49.8	3.8	1.87
Kulp Bros	G3	93.4	86.5	43.8	4.2	1.86
Lloyd Mast	3	74.5	86.5	43.6	4.2	1.83
Henry S. King	B3	52.0	90.2	46.1	4.0	1.83
George Steele & Sons	B3	79.8	94.7	45.7	4.0	1.83
William P. Moore	B3	130.7	89.3	43.3	4.2	1.82
Wilmer L. Hostetter	B3	43.5	94.8	44.6	4.1	1.82
John E. Bruner	B3	46.9	93.4	44.3	4.1	1.81
Vernon Guest	B3	57.7	90.0	45.4	4.0	1.80
David Hurst	G3	39.6	85.6	44.1	4.1	1.80
Louis C. Neyman	G8	37.5	90.0	46.3	3.9	1.79
Paul King	B3	79.0	89.6	45.5	3.9	1.79
E. Kent High	B3	113.1	93.1	43.5	4.1	1.79
Aaron Wise	B3	35.0	88.2	45.8	3.9	1.79
Landis S. Reid	B3	65.9	82.2	42.3	4.2	1.78
Floyd Miller	B3	49.0	90.0	44.3	4.0	1.78
David Bartram	G3	87.1	89.9	43.7	4.1	1.77
Harold R. Kulp	B8	97.2	91.2	42.6	4.2	1.77
Donald Hostetter, Jr.	3	79.4	86.8	47.1	3.8	1.77
Kenneth E. Henley, Jr.	1	21.1	88.3	37.7	4.7	1.77
Samuel B. Acker	B3	221.7	88.1	44.9	3.9	1.76
Rothenberger Bros.	B3	140.9	94.3	45.5	3.9	1.76

Edgar Miller	B3	37.6	89.3	43.1	4.0	1.74
Paul H. Eby	3	40.1	91.0	41.6	4.2	1.73
Hogg & Hershey	B3	68.6	93.6	42.9	4.0	1.73
Timothy Kauffman	3	50.4	88.6	42.4	4.1	1.73
Lloyd Mast	B8	75.4	83.5	40.1	4.3	1.73
J. Raymond Harnish	B8	79.8	87.8	39.4	4.4	1.73
Herman Stoltzfus	B8	52.6	81.6	42.1	4.1	1.73
Christ L. Stoltzfus	B3	50.0	81.5	43.6	3.9	1.72
Kimberton Farm School, Inc.	2	62.9	83.7	33.1	5.2	1.71
W.B. Dixon Strowd	G3	105.3	87.4	39.5	4.3	1.71
Ben S. Beiler	B3	55.0	84.3	41.8	4.1	1.71
William E. Parry & Son	B3	224.8	91.3	42.4	4.0	1.70
Allen S. Hoover	B3	138.6	85.3	43.2	3.9	1.69
Allen S. Hoover	B3	137.2	90.1	45.0	3.7	1.68
Hargret Dairy, Inc.	B3	48.0	91.3	42.6	3.9	1.66
William C. Stoltzfus	G3	32.4	85.0	40.3	4.1	1.65
H.R. & H.L. Brown	B3	136.5	91.5	40.9	4.0	1.65
Vernon Guest	B3	59.4	86.4	40.0	4.1	1.65
J. Kenneth Landis	B3	52.4	84.7	39.5	4.2	1.65
Aaron Wise	B3	35.0	86.2	42.1	3.9	1.64
Richard Hood	G3	60.6	89.8	39.0	4.2	1.64

(Continued on Page 25)

## SERVICE IS OUR BUSINESS

READY MIX CONCRETE FOR EVERY PURPOSE

### NOTICE

Effective April 16th Plant Open  
For Concrete & Stone Delivery on Saturdays



A DIVISION OF A. G. KURTZ & SONS INC.

●Crushed Stone ●Ready Mixed Concrete ●Asphalt Paving

- QUALITY CONTROLLED CONCRETE
- RADIO EQUIPPED FLEET
- MIX UNIFORMITY THRU AUTOMATION
- SATURDAY MORNING DELIVERY

Prompt Courteous Service

DENVER RD#3 ... PHONE 267-7591

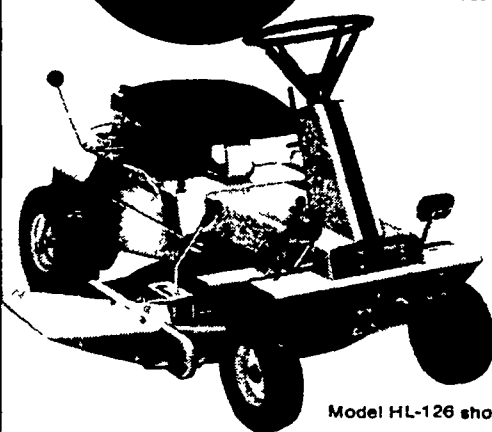
# Hollinger's

FARM MARKET  
1755 WEST MAIN ST.  
1/4 mi west of Ephrata on Rt. 322

## SPRING SALE

# WIN with HAHN

RMD-400 TRACTOR/RIDER



Model HL-126 shown

The mower to move up to when you're ready for a rider.

Cuts a smooth, even, 26"-wide swath thru grass or weeds Has 5 forward speeds, 1 reverse in-line shifting lets you change speeds quickly, easily Gear-reduced automotive-type steering gives you fingertip control Each model complies with all ANSI safety standards Available with easy-off easy-empty, easy-on rear-mounted grass catcher that holds 5 bushels

## WHIP INFLATION NOW—SAVE

26" 7HP Recoil start HL-126  
List Price - \$699.95

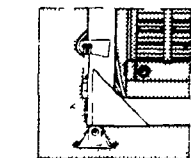
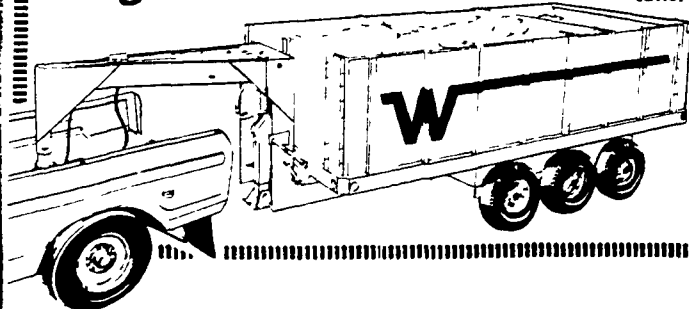
20% Discount - Save - \$139.95

SELLING PRICE - \$560.00

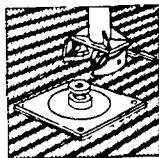
# Hahn

## BIG TRUCK HAULING WITH YOUR PICKUP AND THE...

### WINNEBAGO Agri-Trailer™



Two-speed landing gear provides easy hitching.



Easy hook-up with wide-opening jaws of Pin & Plate.

Hitch this versatile trailer to your truck for road travel, switch it to your tractor for field loading. The Winnebago Agri-Trailer can carry as much as a 3-ton truck. It can haul over 7 1/2 tons. Or 285 bushels of grain.

Winnebago's 5th wheel design gives unique stability, it turns short, backs up easy, and trails true at highway speeds without fishtailing.

## Kauffman's Agri-Trailer Sales

Box 655 RD 1  
Elizabethtown Pennsylvania  
717-367-3550