

**LOCAL CLASSIFIED
ADVERTISING RATES**

12c per word
1.68 minimum charge
Use This Handy Chart To
Figure Your Cost

Words	[1] Issue	[3] Issues
14 or Less	1.68	4.03
15	1.80	4.32
16	1.92	4.61
17	2.04	4.90
18	2.16	5.18
19	2.28	5.47
20	2.40	5.76

KEYED ADS (Ads with answer coming to a Box Number, c/o Lancaster Farming). 50 cents additional
Ads running 3 or more consecutive times with no change billed at 20 percent discount
Deadline: Thursday morning at 9, of each week's publication.

Lancaster Farming
P O Box 266
Lititz, PA 17543
Phone Lancaster
717-394-3047
or Lititz
717-626-1164

classified ads

PHONE 717-394-3047 or 717-626-1164

Farm Equipment

For Sale - Grove forage wagon in excellent condition, 16ft. body, 8 ton running gear on 9-1/2" floatation tires. Sides and tops included, \$2500. Phone 301-472-4343.

Farm Equipment

IH 756 diesel and an IH 856 diesel, both with cabs and wide front ends. IH 400 cyclo planter 4 row. 717-538-1805

For Sale - 1976 Self-Propelled New Holland Forage Harvester with cab, model 1890 with 3208 Cat Diesel, 150 hrs., 3-R narrow corn head, 7' windrow head, also 3-row snapper corn head, used 15 hours. Also (2) Allis Chalmers forage wagons with roofs. All equipment A-1 Shape. 717-684-8214

Farm Equipment

420 John Deere Engine. 717-367-2361

IH 480 15' disc, good condition, \$2500.00; IH 315 13'8" roller harrow, good condition, \$2400.00. Phone 717-629-1179.

For Sale - 5 David Bradley garden tractors with cultivators. 1 tractor and 3 attachments. \$95.00. Used tillers. Everything must go! Phone 717-632-7419 West of York.

Farm Equipment

For Sale - NH baler Model 278; NI Model 205 manure spreader; JD Model 1300 corn planter; Case tractor Model 401D; McCurdy grain wagon; Smoker bale-elevator; Model 200 Ritchie waterer. Phone 717-933-8695.

1070 Case tractor, Super M w-pulley and weights, Model 91 Int. combine w-10 ft. head. All in excellent condition. Prefer call in evenings after 8 PM. Ph: 201-996-4434.

Wanted - used sawmill, prefer 20 ft. carriage, call 717-733-8317.

For Sale - 1972 Ford crew-cab 3/4 ton truck with utility body and cap, \$1500, needs some work. Phone after 6:00 PM 215-562-3966.

Farm Equipment

Olive Model 35 combine with a grain head, good running condition. Asking \$1500. 215-469-8109

For sale - 8 1/2' Heavy duty Miller disc. 215-932-8920.

Wanted 100 Gallon anhydrous nurse tank. Sale-6 minimum till attachments for 694 JD planter 6 rotary hoes attachments for JD cultivator. New BF Goodrich 6 ply 18.4-34 tire \$325. JD 7 bottom automatic reset plow on land hitch model F360. (like new) \$3,000. 105 JD combine, 2 heads. W. Maximuck, 215-297-5531.

For sale - 400 Forage harvester, excellent condition. Pickup head, reason for selling - going to Hay. 2350 or best offer. 1 Holstein dairy cow, good milker, \$650. 717-837-3179



Q. What are the names of these meats?
A. These are a dozen of the more than 200 kinds of sausage Hanging, from left to right, are:
1. Cervelat, 2. Beerwurst, 3. Ring Bologna, 4. Smoked Polish Sausage, 5. Frankfurters, 6. Kishka, 7. Teawurst On the table, from left to right, are: 1. Prasky, 2. Summer Sausage, 3. Minced Ham, 4. Liverwurst, 5. Blood Pudding
Q. Where do they come from? How are they prepared?
A. Most sausages are made from selected cuts of fresh meats, although some formulas contain cured meats as well. Sausage can be divided into these classifications: 1. Fresh Sausage 2. Fresh Smoked Sausage 3. Cooked Fresh Sausage 4. Dry and Semi-Dry Sausage 5. Ready-to-Serve (luncheon) Meats

**READ
LANCASTER
FARMING
FOR FULL
MARKET
REPORTS**

PUNCH LINE



DON'T FORGET -

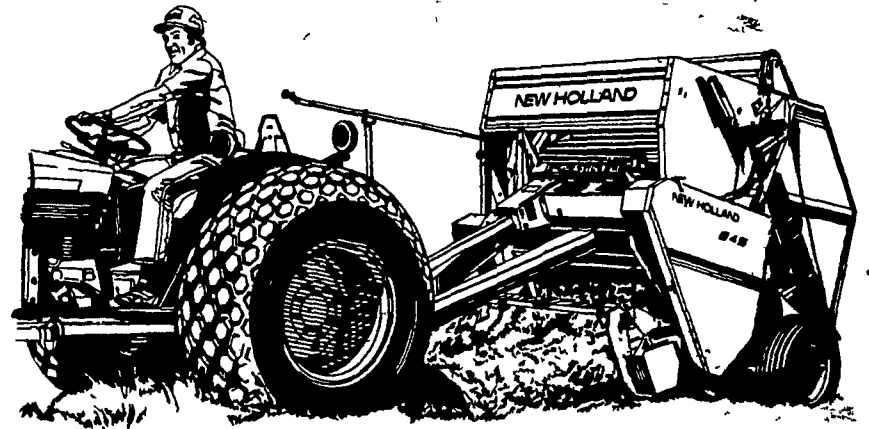
**Sperry New Holland Utility Loaders, Tank Spreaders,
Strong Boxes For Your Spring Barn Cleaning Chores**

**BRING YOUR
EQUIPMENT IN
NOW AND GET
SPECIAL SAVINGS
ON PARTS
AND LABOR!**

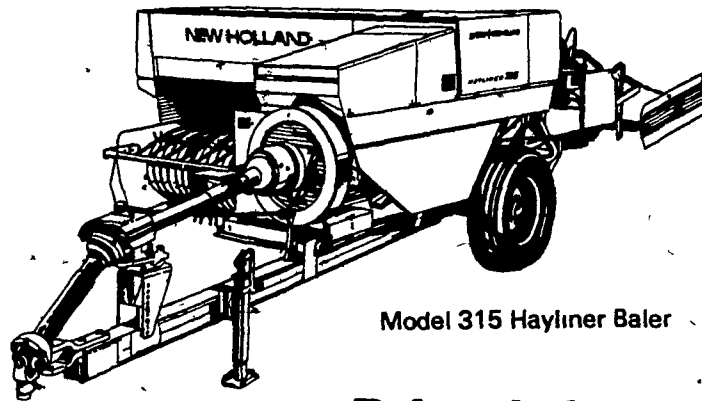
**It's Tune-Up Time at your
Sperry New Holland Dealership.**

Now's the best time to bring us your equipment. The rush is over and we have time to inspect it carefully and get it in top shape for the coming season. If you need any parts that we don't have in stock, there's plenty of time to get them for you before the next harvest or use season.

**AUTHORIZED
SPERRY NEW HOLLAND
PARTS and SERVICE**



Model 845 Round Baler



Model 315 Hayliner Baler

**Bring it in
now and save!**



FREE FINANCE ON:

**HAY EQUIPMENT TILL JUNE 1, 1977;
LOADER & COMBINES TILL JULY 1, 1977;
SPREADERS & GRINDER MIXERS TILL AUGUST 1, 1977;
FORAGE EQUIPMENT TILL SEPTEMBER 1, 1977.**

Walter G. Coale, Inc.
2849-53 CHURCHVILLE ROAD
P.O. BOX 38 - CHURCHVILLE, MD. 21028
PHONES: 734-7722 BALTIMORE AREA 879-1434

L. H. Brubaker, Inc.
350 Strasburg Pike
Lancaster
397-5179

Roy A. Brubaker
-700 Woodcrest Ave
Lititz, PA
626-7766

Agricultural Industrial Equip. Co.
Rt. 273
Rising Sun, MD
301-658-5568

A.B.C. Groff, Inc.
110 S Railroad Ave
New Holland
354-4191

Paul Shower's Inc.
35 E. Willow St
Carlisle, PA
717-243-2686

Norman D. Clark & Son
Honey Grove, PA
717-734-3682

Kermit K. Kistler, Inc.
Lynnport, PA
215-298-3270

C. E. Wiley & Son, Inc.
101 S Lime St
Quarryville, PA
786-2895

Stanley A. Klopp, Inc.
Bernville, PA
215-488-1500
215-488-1510

Albert J. Noss & Son, Inc.
RD2 Oley, PA
215-987-6257

I. G. Ag Sales
Siverville, PA 18962
215-257-5136