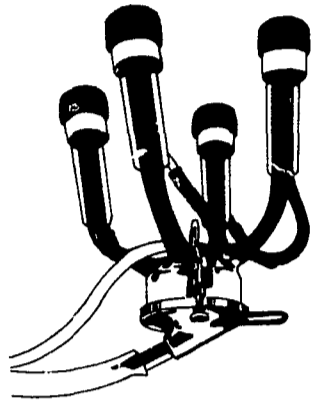


# AGWAY

## HEADQUARTERS FOR YOUR MILKER SPECIALISTS

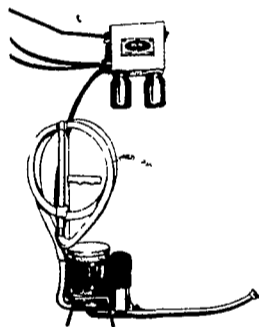
The finest farm milk cooler you can own!



See precisely when to remove teat cups!

### Universal full view milker

Transparent polysulfone cluster allows you to see milk leaving each teat. You never over-milk because you see milk flow. Large size reduces vacuum fluctuation. Saves time, too.

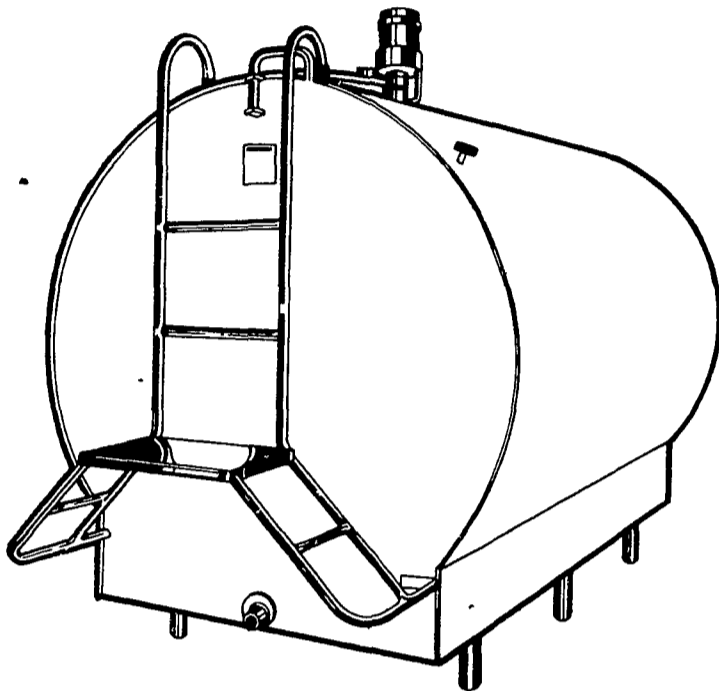


Throw away that bulk tank brush!

### KLEEN-A-TANK

Model 1600

- semi-automatic. Cleans and sanitizes bulk tanks at the touch of a button
- fits all standard tanks, atmospheric or vacuum
- two see-through jars for automatic dispensing of liquid or powdered chemicals



## The Girton Ambassador

### Lower cooling costs.

Recent tests established cooling costs at 0.4¢ per 100 lbs.

### Keeps its cool.

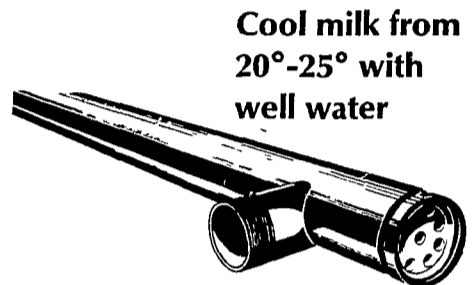
Foamed polyurethane insulation equals 4½" of corkboard on sides, 9" on bottom.

### Help when you need it.

Qualified service experts throughout the Northeast are always on call.

### A size to fit you.

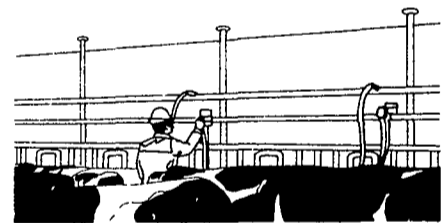
Available in sizes from 500 to 3000 gallons...with or without automatic washers.



Cool milk from 20°-25° with well water

### PRE-COOLING SYSTEM by Top Line

The pre-cooler from Top Line uses well water to cool milk from 20-25 degrees in line before it hits the tank. This in-line pre-cooler can cut compressor time in half, reduce power costs by taking the strain off your condensing unit and relieves the refrigeration load on your bulk tank. Easy to clean in place and easy to install. Sized to fit your system.



Give up lugging milk forever!

### Agway Pipeline System

- Pumps milk from stanchion to bulk cooler automatically
- Helps maintain milk quality and reduce bacteria count because milk cools faster
- Reduces costly manhours

### FARM SYSTEMS AND MECHANICAL CENTERS

#### LANCASTER SUPPLY CENTER

1027 Dillerville Rd  
Lancaster, PA  
717-397-4761

#### AVONDALE SUPPLY CENTER

Junction U.S. 1 & 41  
Avondale, PA  
215-268-8238

#### YORK WEST STORE

26 W. Market St.  
York, Pa.  
717-792-2674

#### TEMPLE SUPPLY CENTER

N. 5th St. Highway  
Temple, PA  
215-929-5264

#### CHAMBERSBURG

409 E. Grant St.  
Chambersburg, PA  
717-263 4197

#### ELIZABETHVILLE

Rt. 209  
Elizabethville, PA  
717-362-8128

#### CHAPMAN STORE

RD 2  
Wescosville, PA  
215-395-3381

#### CARLISLE

E North St  
Carlisle, PA  
717-243-4312

#### DUBLIN

Rt 313  
Dublin, PA  
215-249-3556

#### TANEYTOWN

Frederick St  
Taneytown, MD  
301-848-3225

