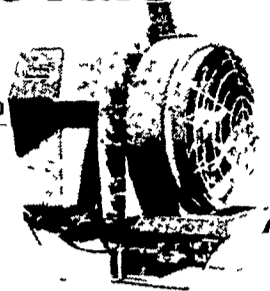




**SEE THE ALL NEW**  
**Myers A36TMG**  
**SUPER**  
**MITY-MIST**  
**DU-ALL AIR**  
**SPRAYER**



**FEATURING:**

- Rustproof 150 gallon fiberglass tank with mechanical agitation.
- Tests prove Super Mity-Mist ideal for mature apple trees or semi-dwarf plantings.
- Popular Myers Du-All Pump handles dilute or low volume applications with liquid or wettable powder chemicals.
- High velocity 36" axial flow fan for good foliage penetration with air and chemicals.
- Low PTO HP requirements ... For rated performance 50 HP tractors recommended.
- Exclusive Drive-Mist Nozzles for extra carrying power.
- Tank fitted with propeller type agitator synthetic rustproof strainer and see thru sight gauge.
- Hitch pins reversible for Category I or II receptacles.

**SPECIAL PRICES**  
 on some Myers Equipment  
 Now thru Dec. 17th.

**LESTER A. SINGER**

RONKS, PA PHONE (717) 687-6712  
 Lancaster County's Only Dealer  
 Specializing in Sprayer Sales & Service



James Honan



Dr. Paul Hand



Lester Jones



Daniel Martin

**Inter-State elects officers**

PHILADELPHIA - Lester C. Jones, a New Jersey dairy farmer for 43 years, was re-elected president of Inter-State Milk Producers' Cooperative Southampton, Pa. at the cooperative's annual meeting held here last month.

Jones was first elected a director of Inter-State in 1962, and for the past five years has served as president of the 3,000-member dairy cooperative. Daniel L. Martin, a Manheim, Pa. dairy farmer, was re-elected vice president of the cooperative. Martin will be serving his sixth term as vice president and was elected to the board in 1966.

Dr. James E. Honan, Moorestown, N.J., was re-elected secretary and general manager of Inter-State. He was also honored

at the annual meeting for completing 30 years as a cooperative employee, 16 of which were as general manager.

Dr. Paul E. Hand, Warminster, Pa., was re-elected assistant general manager and assistant secretary. Robert M. Dever, Plymouth Meeting, Pa., was re-elected to his third term as treasurer. Donald F. Copeland, an Attorney with the firm, Speese, Bongiovanni & Copeland, was re-elected counsel. All the re-elected officers will serve for a one year term.

The following directors were elected to Inter-State's executive committee: John P. Bradford, Lewistown, Pa.; William Brinsfield, Cordova, Md.; Edwin C. Fry, Chestertown, Md.; Willis L. Greaser,

Williamsburg, Pa.; Robert B. McSparran, Peach Bottom, Pa.; Ivo V. Otto, Jr., Carlisle, Pa.; Roy A. Weaner, Jr., Gettysburg, Pa. Jones and Martin serve as ex-officio members. McSparran was elected chairman of the executive committee with Greaser elected as vice-chairman.

E. Schilling, Petersburg, Pa.; Park L. Buckwalter, Watsonstown, Pa.; H. Karl Beegle, Bedford, Pa.; and Roy A. Weaner, Jr., Gettysburg, Pa.

Inter-State Milk Producers' Cooperative annually markets 1.7 billion pounds of milk, primarily in the Philadelphia metropolitan area. The cooperative's 3,000 dairy farmer members reside in Pennsylvania, New Jersey, Delaware, Maryland, Virginia and West Virginia.

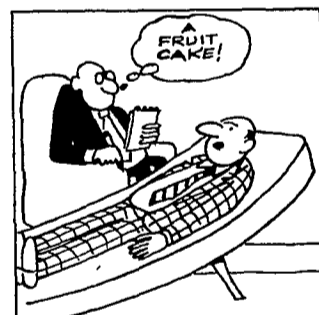
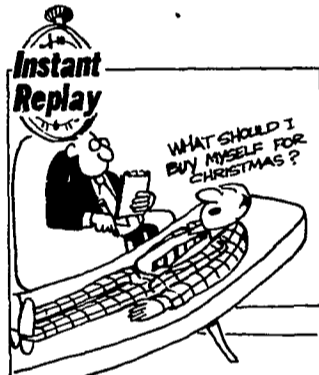
**ATTENTION**  
**TOBACCO GROWERS**  
**SUGGESTIONS FOR HANDLING 1976**  
**CROP PENNSYLVANIA**

The following practices for handling, stripping and bailing and recommendations for preparing Pennsylvania Tobacco for sale.

1. **Curing** - Fully cure the tobacco before taking down. Do not have tobacco in piles to heat.
2. **Case** - Strip only tobacco in natural case. Take down and strip on dry side if chemicals for sucker control were used.
3. **Stripping** - Bale separately all good quality tobacco. Keep clean and drop the trash. Frozen, muddy or fat stem tobacco should be baled separately. Only properly handled tobacco will stay sound in storage.
4. **Bailing** - Make a good strong bale, lap tails or tips of leaf 8 to 10 inches. There is no objection to short bales of good quality tobacco. Poorly lapped or weak bales that break apart in the middle are not acceptable by the industry. Please tie twine in a bow knot.
5. Baled tobacco should be stored in dry, cool area until delivered.

Protect tobacco with waterproof cover when making delivery to prevent damage from rain or snow.

LANCASTER LEAF TOBACCO BOARD OF TRADE



**SELLING OUT**  
**SNOW EQUIPMENT**

McKee Snowlander, double auger, front mounted to fit John Deere 3020

Demo. \$800 Used 1/2 hour

Cherokee 3 pt. hookup, 7 ft. cut \$650

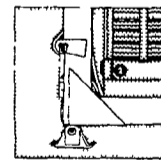
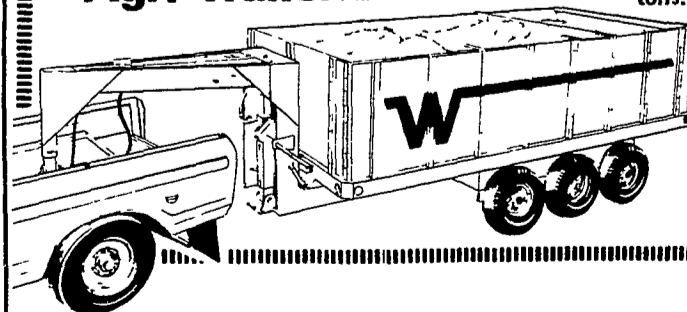
Small Lawn Boy Walkers, self propelled \$185 up  
 All Items While they Last

**A. C. HEISEY**

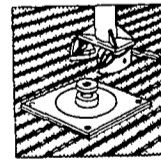
FARM EQUIPMENT INC.  
 RD1, Jonestown, Pa. 17038 Phone 717-865-4526  
 Located 1/2 mile South of Fredericksburg off Route 343  
 BUS. HOURS: 7 A.M. TO 5:30 P.M. SAT. TILL 2:30 P.M. EVENINGS BY APPT.

**BIG TRUCK**  
**HAULING**  
**WITH YOUR**  
**PICKUP**  
**AND THE...**

**WINNEBAGO**  
**Agri-Trailer™**



Two-speed landing gear provides easy hitching.



Easy hook-up with wide-opening jaws of Pin & Plate.

Hitch this versatile trailer to your truck for road travel, switch it to your tractor for field loading. The Winnebago Agri-Trailer can carry as much as a 3-ton truck. It can haul over 7 1/2 tons. Or 285 bushels of grain. Winnebago's 5th wheel design gives unique stability. It turns short, backs up easy, and trails true at highway speeds without fishtailing.

**Kauffman's Agri-Trailer Sales**

Box 655 RD 1  
 Elizabethtown 717-367-3550 Pennsylvania