

Chester County

[Continued from Page 14]

small grain, 500 acres hay. Milking starts at 2:30 p.m. and can be viewed from observation deck. Take Newark Rd. south off Rt. 41 3 mi.; turn left on Broad Run Rd.

MR. and MRS. JOHN K. HARNISH POULTRY FARM - A 12,000 cage operation plus 2,000 on barn floor. Processing, washing, grading and sales room. Production processed for retail and wholesale markets daily except Sunday. Eighty cow dairy operated by J. Raymond Harnish. Take Rt. 10 south to Oxford, turn left at 2nd light; go to dead end; turn right on South Fifth Street; turn left on Waterway Road (where two large dome water tanks stand on right). First farm on left. Open Saturday only!

McFADDEN GREEN-HOUSES - Wholesale growers of cut roses and potted plants with 65,000 sq. ft. growing area under glass and fiberglass. Poinsettias and lilies grown for holiday seasons. Plants include Reiger begonias, gloxinias, African violets, mums and foliage plants. Two boilers supply steam heat. Roses go to area florist shops and markets from Philadelphia to Washington. ventilated with exhaust fans; fertilization done by injectors into water system. Take Rt. 10 south thru Oxford to Wedgewood Rd. (across from Acme Market). Turn right and go to large red barn.

SUMNER and THOMAS - Three double mushroom houses with 27,000 foot growing area. A pick and pack operation. Near Route 10 exit of Route 1.

FAGGS MANOR FARM - HARRY TROOP - Milking 45 registered Holstein cows in a tie stall barn with pipeline milkers. Raising approximately 50 heifers and calves. Turn right off Rt. 10

opposite Highpoint Rd.; 2nd farm down lane.

MR. and MRS. CARL HORST - Corn drying facility with 32,000 bushel capacity storage. Complete line of tillage and harvesting equipment covering 800 acres. One mile north of Cochranville, turn left off Rt. 41 at first road; 2nd farm on right.

HIGHLAND EYRIE - MR. and MRS. ROGER LEGG - 28 acre farm raising thoroughbred and Arabian horses. Also, Irish Setters. Turn right off Rt. 10 on Friendship Church Rd., one mile.

VALLEY MEADOWS FARM - Beef operation with 225 head from 500 lbs. to 1200 lbs. 115 acre farm plus rented acreage. Four silos for haylage, high moisture corn and corn silage. 180 head on automatic feeders. Turn right off Rt. 10 on Friendship Church Rd., left on Old Race Track Rd. one mile first farm on right.

RUSSELLVILLE GRANGE - Area 4-H'ers will exhibit their projects. The Dairy Council is providing a display. Luncheon items may be purchased. Open Saturday only!

Now is the time

[Continued from Page 10]

TO TEST SOIL

This is an annual thought, but the fall is a very good time to draw soil samples and get them tested before winter sets in. When the needs of the soil are known in the fall, the grower will have more time to place fertilizer orders, and in some cases, will benefit from special discounts for early ordering. The accuracy of the test showing the needs of the soil will be just as good when taken at this time of the year, as next spring. No doubt more prompt reports will be received by doing the testing this fall; the spring months brings a rush and pressure on the testing laboratory. Testing envelopes are available from any County Extension office, or many commercial concerns will do soil testing. Don't wait until next spring to learn the fertilizer needs of the fields.

TO CHECK BARN VENTILATION

Colder weather is ahead of us and many buildings are filled to capacity; the heat

from the animals may cause condensation on the windows, ceilings, and walls of the buildings. This is a definite sign of poor ventilation; animal health will be affected, as well as greater depreciation on the

buildings. Exhaust fans are often needed to draw out the foul, moisture-laden air; also, additional insulation will help prevent the warm air coming into direct contact with colder air. In some barns a layer of hay, straw, or chopped corn

fodder placed on the barn floor will help prevent condensation on the ceiling of the lower levels. Proper ventilation is needed for more pleasant working conditions as well as increased efficiency from the animals or birds.

SOYBEAN ROASTING ON YOUR FARM



For peak feeding value have your soybeans roasted. (To kill toxic enzymes in raw soybeans.)

1. Roasted soybean (not just cooked), increases digestibility by 15 percent.
2. Increases weight gain for beef & hogs.
3. Increases butterfat in milk & egg production
4. Improves animal health, reduces vet bill.
5. Eliminates hauling to the mill & back to farm.
6. Feed your own grown grain. (Not exchanged with others).
7. Beans remain whole Store for months without losing any feeding value.

CUSTOM SOYBEAN ROASTING DONE IN PA. AND SURROUNDING STATES

DALE L. SCHNUPP

RD2, Lebanon, PA 17042

Phone 717-865-2534

TRY A CLASSIFIED AD!

NEW RITWAY MODEL 37 COMBINATION WOOD AND COAL HEATERS

Has fire bricks and cast iron shaking grates and brick retainers. Holds 7½ cubic ft. of wood. Fuel door size - 12 x 12 in. Wood length - 2 feet. Holds more than any other thermostatic heater on the market. 73,000 B.T.U., H.R. weight 400 lbs.

Also model 2000 wood heaters are available.

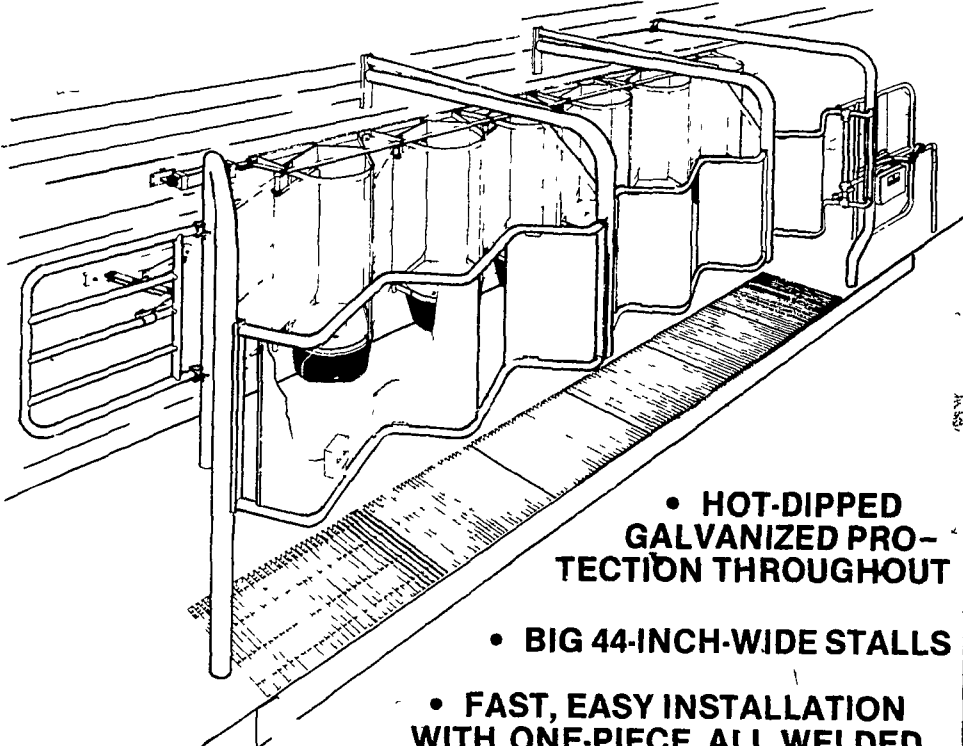
Send for free literature and prices. We also have the bricks for old Riteway heaters.

10 Percent Off Through September and Oct.

STOLTZFUS HARNESS SHOP

Rt. 1, Box 13 - Honey Brook, Pa. 19344
First farm out of town along N. Broad St.

Now available: The new BOU-MATIC "UNITIZED" HERRINGBONE STALLS



• HOT-DIPPED GALVANIZED PROTECTION THROUGHOUT

• BIG 44-INCH-WIDE STALLS

• FAST, EASY INSTALLATION WITH ONE-PIECE, ALL WELDED MANAGERS AND RUMP-RAIL ASSEMBLIES

• HEFTY WALL-MOUNTED SUPPORT ARMS - NO OPERATOR OBSTRUCTIONS

• MANY OPTIONS AVAILABLE, INCLUDING

- Power Gate Kit
- Auto Gate Kit
- Feed-Bowl Covers
- Auger Feeders
- Steel Curbs
- Steel Grates

Call us or stop by for complete information about these solidly-built stalls—or any product in the Bou-Matic line.

We also want you to know that our ability to provide prompt, expert service is very important to us, because we know how important it is to you. So we back up our skills and experience with factory training sessions. After your new equipment is installed properly, we'll see that it works properly and keeps on working, year after year.

**You can depend on us—
and on Bou-Matic products.**

Lloyd Kreider

Cochranville, PA
(215) 932-2934

Shenks Farm Service

Lititz, PA
(717) 626-1151

Carl Shirk

Lebanon, PA
(717) 274-1436

Clugston Implement

Chambersburg, PA
(717) 263-4103

Jones Dairy Service

Lester Jones, Jr.
Medford, NJ (609) 267-5246

JOB OPPORTUNITY



pfizer genetics

JOB OPPORTUNITY



**OFFERS THIS GOOD
AREN'T MADE VERY OFTEN!**

IF YOU: Farm or Work in Agri-Business
Are Looking For an Additional Income
Want a Chance to Broaden Your Knowledge
Would like to have a part with a growing seed Company

THEN WE WANT TO TALK TO YOU.

The dealership requires some effort on your part, since timeliness of customer contact is very important. Our Regional and Divisional Sales Managers and Division Agronomists are always ready to supply the materials and support necessary to HELP make yours a successful Pfizer Genetics Dealership.

**FOR A PFIZER GENETICS DEALERSHIP
or YOUR TROJAN SEED NEEDS**

Contact

Regional Sales Manager

EUGENE G. HOOVER

RD3, Lititz, Pa 17543
Phone 717 569-0756

