

Form Equipment

Form Equipment

Form Equipment

Form Equipment

## FREY BROS. MFG.

QUARRYVILLE, PA PHONE (717) 786-2146

- Farm Gates
- Head Gates
- Calf Creep
- Steel Fence
- Free Stalls
- Loading Chutes (Slop Stops)
- Steel Buildings
- Automatic Wagon Hitch
- Ritchie Waterers
- Electric Gates
- Al Chutes
- Ear Tags
- Feed Bunks
- Hay Racks

WRITE FOR FREE CATALOGS



## USED EQUIPMENT

(2) Used 1066's w-Cab & Air, (1) hydro (1) TA  
 (2) 656 Farmalls, (1) SOLD (1) TA  
 (New) 1135 MF Tractor w-Cab, Air, 208-38  
 tires, multi-power, \$17,750.  
 1975 J.D. 4030, fully equipped with 4 post roof,  
 280 hrs  
 IH 815 Diesel Combine, w-4-row cornhead  
 (2) 3-row Silage Heads for Uni-Choppers  
 (new) N.I. 8 roll 2-row picker \$5,000.  
 New Idea mounted Picker, 12 roll. REAL NICE  
 (Also High Moisture Grinder Attch. for 234  
 picker)  
 BRAND NEW 1066, no cab.  
 BRAND ISOLD 966, Another new 966  
 Farmall 544 Gas  
 IHC 303 Combine w-Cab and 2 heads, real clean.  
 N.I. Pull-type picker w-Super Sheller 40"  
 Received Another Trailer Load of Pull Type  
 Pickers  
 Case 1160 Combine w-Cab & Grain Platform  
 Int. 615 Combine w-corn & grain platforms  
 (4) (8) (7) Gleaner Combines w-corn heads,  
 Models E, All, CII, K, F & G.  
 Several Uni Tractors w-All type attachments.  
 Corn Heads available for most combines  
 Several Shellers for N.I. pull or mtd. Pickers  
 Several Silage Choppers & Heads for Uni  
 Mustang Skid Loader  
 Lots of IH and J.D. front and rear weights.

### RAYMOND B. LEAMAN

Willow Street RD1 Phone Lancaster 464-2480

Midway between Lancaster & Quarryville  
 off Rt. 222 (Take Brenneman Road  
 at Graybill Bros. Garage, Refton)



## EAGLE MACHINERY COMPANY

Route 100, Eagle, PA

### NEW EQUIPMENT IN STOCK

1 & 2 Bottom, 3 pt. Plows  
 3 Pt. Disk Harrow and Spring Tooth Harrows  
 (6) New Wagons, all sizes  
 Glenco 12½ ft. Field Cultivator Save \$300.  
 Glenco Chisel Plow, Pull 10 Tooth Save \$400.  
 White 4-25L Bobcat Loader \$3200.  
 White 244 Fork Lift 14', 200 hrs. \$6000.  
 50 Bolens, Wheel Horse, and Ariens Riding  
 Tractors and Mowers in Stock

### USED EQUIPMENT

Oliver 550 Tractor

SAVE

NOTICE

SAVE

We have cancelled our White Farm Contract.  
 \$100,000 worth of Oliver White Parts.  
 • Short Blocks • Plow Bottoms • Complete  
 Coulters • Radiators • Bull Gears • Rear  
 Housings • Corn Planter Boxes.

SAVE UP TO 50 PERCENT  
 ON THESE PARTS.

Phone (215) 458-5326



Nothing runs  
 like a Deere

### USED FARM EQUIPMENT

J D 3020 Tractor  
 J D 4020 Tractor  
 J D 4630 Tractor \$16,900  
 Farmall 504 Tractor  
 Ford 5000 Tractor  
 J D 38 Forage Har-  
 vester  
 N H 818 Harvester w-  
 corn head  
 N H 511 spreader  
 Case 675 SP Windrower  
 N H 404 Hay Con-  
 ditioner  
 Fox Chopper  
 Souders Loader  
 Int. 711 Rotary chopper  
 M.F. Baler w-Thrower  
 Case Baler w-Thrower  
 Int. 46 Baler  
 J.D. 14T Baler  
 J.D. 24T Baler w-ejector  
 N.H. 460 Haybine  
 (2) J.D. 216 Forage  
 Wagon  
 Grove Hyd. Forage  
 Wagon  
 Used Vacuum Supplies

### NEW FARM EQUIPMENT

J D 2040 Tractor  
 J D 500 Baler  
 J D 170 Demo Skid  
 Loader  
 J D 5200 Forage  
 Harvester  
 N H 512, 518 & 790  
 Spreaders  
 N H 477 Haybines  
 N H. 850 Baler  
 N H 354 & 357 Grnder  
 Mixer  
 770, 717, & 707 Har-  
 vesters  
 J.D. 300 Husker  
 Richardton High Dump  
 Wagon  
 Ag-TeX Low volume  
 orchard & field  
 sprayers

1973 Int. Truck, Stake  
 body w-racks in good  
 condition

## CLUGSTON IMPLEMENT INC.

Chambersburg, PA 17201  
 1 Block off I-81 Exit 8  
 Phone 717-263-4103

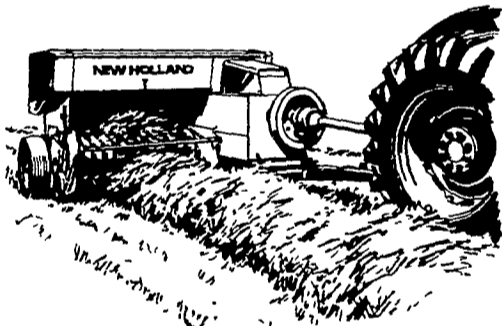


MUELLER  
 Bulk Milk Coolers

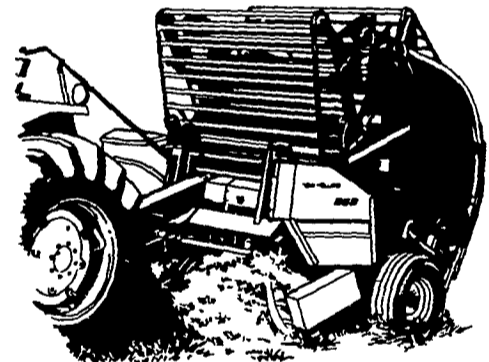
SPERRY  
 NEW HOLLAND

## WE ARE READY TO GIVE YOU THE BEST DEALS OF THE SEASON

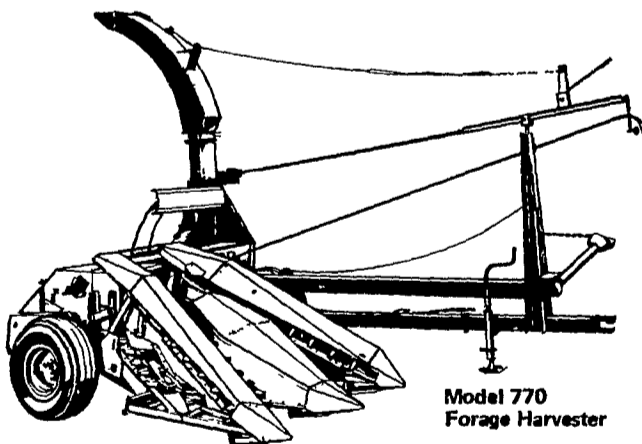
FREE FINANCE UNTIL JUNE 1, 1977



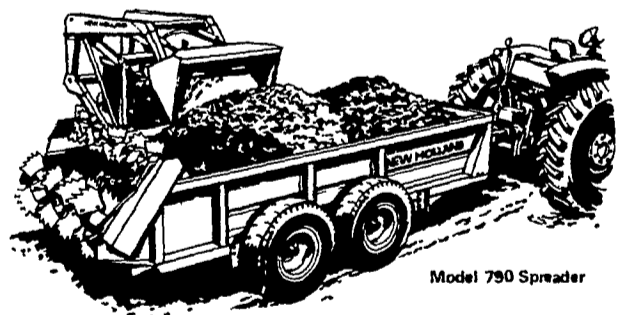
MODEL 276  
 BALER



Model 850 Round Baler



Model 770  
 Forage Harvester



Model 790 Spreader

### LOOK AT THIS GUARANTEED USED EQUIPMENT

N.H. 273 baler w-thrower  
 N.H. 277 baler w-thrower  
 N.H. L35 loader  
 N.H. 717 Harvester

New Idea 125 bu. spreader  
 N.H. 325 spreader  
 N.H. 327 spreader  
 N.H. 516 spreader

New McCurdy Grain Bins - 187 bu. \$375.00  
 New MLR (previously New Holland)  
 Elevators  
 New Pittsburgh Disc 12 ft. \$1595.00

## C. E. WILEY & SON Inc.

Quarryville, Pa. Phone: 717-786-2895

## LANCASTER SILO CO., INC.

2008 Horseshoe Road 2436 Creek Hill Road  
 LANCASTER, PA 17601

MANUFACTURER AND BUILDER OF  
 QUALITY CONCRETE-STAVE SILO'S

A COMPLETE INVENTORY OF FEEDING-SYSTEM  
 EQUIPMENT IN STOCK. INSTALLATION AND  
 SERVICE AVAILABLE FOR ALL EQUIPMENT

"LANCASTER" Taper Board Feeders  
 "LANCASTER" Slat Chain Conveyors  
 "LANCASTER" Belt Feeders  
 Starline Silo Unloaders.  
 Shuttle Feeders - Auger Feeders  
 Single & Double Chain Conveyors  
 Protein Meters - Silage Weighers  
 Roller Mills - 56" Silage Blowers  
 Ritchie Cattle & Hog Waterers  
 Water Bowls - Windows - Barn Fans  
 Hay Racks - Cattle Head Gates  
 Patz Silo Unloaders

I  
N  
S  
T  
O  
C  
K

### USED EQUIPMENT SPECIAL

COMPLETE SURGE MILKING EQUIPMENT  
 FOR 70 COW STALL BARN INCLUDES- 2" glass  
 pipeline-6 Surge milker units-milk meters- (2)  
 No. 75 vacuum pumps-Vacuum line \$6000.00.

- (1) 75 gal. hot water heater, like new \$100.00
- (1) 300 gal. Zero Milk Tank w-sealed unit \$500.00
- (1) Used Farmway barn cleaner for 70 cow stall barn,  
 complete \$1500.00
- (1) Used Van Dale 16 ft. silo unloader, complete  
 \$1500.00
- (3) Large Barn Fans with motors \$125.00 each
- (1) Roller Mill with motor \$500.00

FOR INFORMATION CALL: 717-299-3721 OR  
 Guy Rohrer (Lanc. Area) 872-4411  
 Larry Hiestand (Leb. Area) 273-7394