

FARM SHOW—Vo. ag. and home ec. programs

Monday, January 5

8:00-5:30—Vocational Demonstration Contests
 8:30—Future Farmers of America Executive Council Meeting, Room 321, Education Building
 9:30-5:00—Future Homemakers of America homemaking demonstrations
 1:00—Future Homemakers of America Executive Council Meeting, Nationwide Inn
 1:00—Master Corn Growers Assn., Room F, Main Show Building
 1:30—Future Farmers of America Executive Council reconvenes

Tuesday, January 6

8:00-5:30—Vocational Demonstration Contests
 8:30—Future Farmers of America Executive Council Meeting, Room 321, Education Building
 9:00—Future Homemakers of America Executive Council Meeting, Nationwide Inn
 9:30-5:00—Future Homemakers of America homemaking demonstrations
 1:00—Future Homemakers of America Executive Council reconvenes
 1:30—Future Farmers of America Executive Council reconvenes
 6:15—Future Farmers of America Band Concert—Large Arena

Wednesday, January 7

8:00-5:30—Vocational Demonstration Contests
 8:30—Future Farmers of America Executive Council reconvenes
 9:30-5:00—Future Homemakers of America homemaking demonstrations
 9:30—Future Homemakers of America Annual Winter Meeting, The Forum, Education Building
 12:30—Future Farmers of America Awards Convention, The Forum, Education Building.

Thursday, January 8

8:00-11:30—Vocational Demonstration Contests

9:30-5:00—Future Homemakers of America homemaking demonstrations
 4:30—FFA Tractor Driving Contest—Large Arena.

Friday, January 9

9:30-1:00—Future Homemakers of America homemaking demonstrations.

4-H CLUB PROGRAM

4-H Club Headquarters, Room 107, Lower Concourse, West Side, Large Arena Building

Thursday, January 8

9:00-12:00—Potato Grading and Identification Contest, Room F, Main Show Building
 4:30—4-H Tractor Driving Contest—Large Arena.
 8:00 p.m.—Horse and Pony Demonstration—Large Arena

Editor's Quote Book

Friendly concern is often simple curiosity.

Baron McKay

Commentary

Right on, Mr. Jefferson

One of this country's Founding Fathers, Thomas Jefferson, wrote the following about government spending:

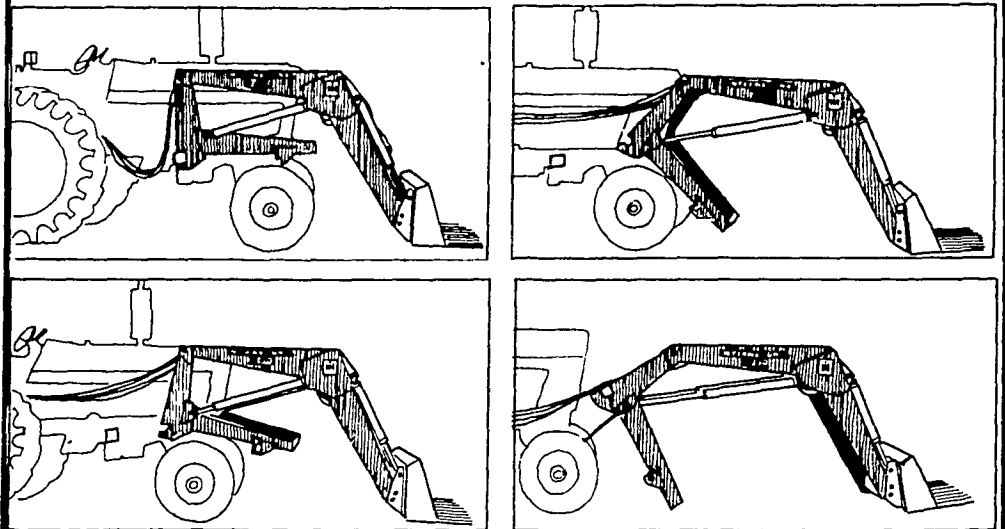
"I place economy among the first and most important virtues, and public debt as the greatest of dangers to be feared. To preserve our independence, we must not let our rulers load us with perpetual debt. If we run into such debts, we must be taxed in our meat and drink, in our necessities and in our comforts, in

our labor and in our amusements. If we can prevent the government from wasting the labor of the people, under the pretense of caring for them, they will be happy.

It's amazing how someone 200 years ago could see what dangers might develop in Washington's bureaucracies, and equally amazing how so many of today's leaders can be so blind as to allow this "greatest of dangers" to develop and grow.

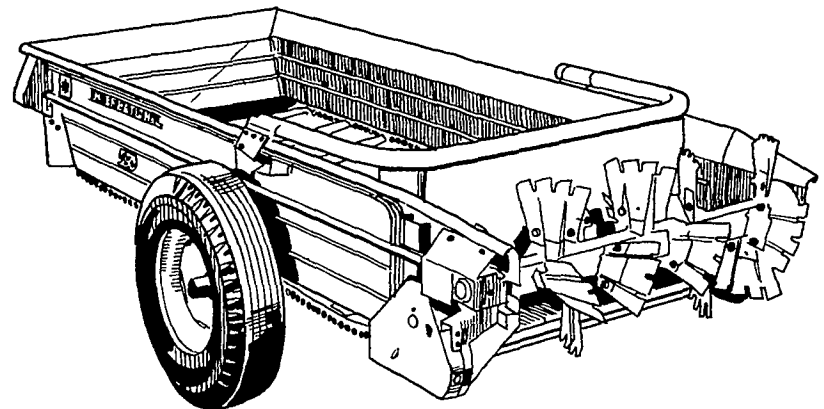
A WINNING COMBINATION

FROM IH.



New International Mount-O-Matic Loaders 2250-2350

Mount or dismount in 5 minutes or less.



New International 500 Series Spreaders

Sizes 148 to 313 cubic feet.

Bear Claw paddles assures fine shredding, even spreading.

See these and also many more new machines from IH at the PA Farm Show display.



MESSICK FARM EQUIP.
 ELIZABETHTOWN 717 367 1319

C. B. HOOBER & SON
 INTERCOURSE 717 786 8231

COPE & WEAVER CO.
 NEW PROVIDENCE 717-786 7351

HERITAGE INTERNATIONAL, INC.
 1054 S. State St. Ephrata PA
 717 733 2283

SWOPE & BASHORE, INC.
 RD#1 MYERSTOWN (Frystown) 717 933 4138

R. S. HOLLINGER & SON
 MOUNTVILLE 717 285 4538

INTERNATIONAL HARVESTER
 Oakwood Lane at Rt 873
 Near Neffs (Schnecksville Pa)
 215 767 3806
 or 437 4813

ERB & HENRY EQUIP. INC.
 22 26 Henry Ave., New Berlinville, PA
 1 Mile North of Boyertown
 Phone 215 367 2169

LAMB'S FARM MACHINERY
 Thorndale, Pa. 215-269-2676



SEE YOUR
SURGE DEALER
 AT THIS YEAR'S
PENNSYLVANIA FARM SHOW!



Brandt's Farm Supply, Inc.
 601 E High St
 Elizabethtown, Pa
 Ph. 717-367-1221

Lester B. Boll
 RD1, Lititz, Pa
 Ph. 717-626-6198

Glenn E. Hurst
 RD2, East Earl, Pa.
 Ph. 215-445-6865

Longacre Electrical Svc. Inc.
 Bally, PA
 Phone (215) 845-2261

H. Daniel Wenger & Bro. Inc.
 RD1, Hamburg, PA
 Phone (215) 488-6574