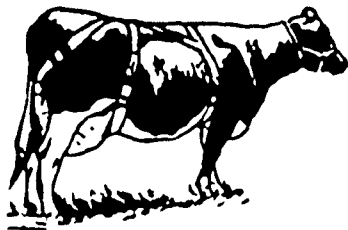


# High FFA awards presented

Manufacturing Company. He has been exceptional in his activities to serve agricultural youth and holds the Honorary State and American Farmer Degrees.

## READ LANCASTER FARMING FOR FULL MARKET REPORTS



SUPPORT YOUR COWS! WITH A **TAMM UDDER SUPPORT**

### HOUSEHOLD ITEMS

- VANILLA
- GREAT FIND
- COUGH SYRUP
- COLD TABLETS
- PINE OIL
- GENT-L-KLEEN SOAP
- GLOVES
- BOOTS
- RUBBERS
- BUCKETS
- HANDCREAM

### GARDEN TOOLS

- SHOVELS
- RAKES
- FORKS
- HOES

## AARON S. GROFF & SON

FARM & DAIRY STORE  
R D 3, Ephrata Pa 17522 (Hinkletown) Phone 354-0744  
Store Hours 7 A M to 9 P M  
Closed Tues & Sat at 5 30 P M

ALEXANDRIA, Va. - Phillip Alampi, Dana Bennett, and O. W. Randolph have been named the 1975 "FFA Alumni Outstanding Achievement Award" winners. The presentation came as part of the National FFA Alumni Association meeting held in conjunction with the National FFA Convention in Kansas City, Missouri.

This prestigious award recognizes FFA Alumni members for outstanding leadership and accomplishments in service to agriculture. The "FFA Alumni Outstanding Achievement Award" is the highest award presented by the National FFA Alumni Association and can be presented on the national level to not more than three persons annually.

Phillip Alampi is currently

xxx

Some birth defects can be detected before a baby is born, according to the March of Dimes. Using techniques such as ultrasound, electronic monitoring, and amniocentesis, doctors can check the baby's development while it is still in the uterus.

**TRY A CLASSIFIED**

serving as New Jersey Secretary of Agriculture. He has distinguished himself by his agricultural leadership having served as president of 34 organizations. Mr. Alampi became nationally known with his radio and television programs on WABC and WNBC. Phillip was an American Farmer in the FFA and has received the Honorary American Farmer Degree. Among this many achievements, he is past president of the National Association of State Departments of Agriculture, the American Horticultural Society, and the National Association of Television and Radio Farm Directors.

C. Dana Bennett is founder and president of the Farm Film Foundation, and has been editor of Washington Farm Reporter, public relations director for the National Grange, and a member of the War Production Board. Dana holds the Honorary

American Farmer Degree. He has held numerous positions including a Director of the National Farm-City Council, President of the Highway Safety Conference, Governor of the Agriculture Hall of Fame, and Chairman of the Advisory Committee for the Agricultural Division of the American Vocational Association.

O. W. Randolph is Manager of Public Relations for the Moorman's

### BRUNING PAINT

A Quality Paint For Every Purpose

- Engine Sales & Service
- Lawn Mower Sharpening-Hydraulic Units

### JOHN Z. LAPP

Centerville Road  
RD1, Gordonville, Pa 17529

### Myers A32TMG ORCHARDS - ROW CROPS



... with Lightweight, Rust Free Molded Tank

- Compact, 3 point Hitch PTO Air Sprayer
- Multi-purpose chemical applicator for Parks, Golf Courses, General Farming and Orchards
- Multi-use Design Cuts Cost in Half
- Big Piston Pump offers Full Range from 20 to 500 P.S.I. and 12 G.P.M.

**LESTER A. SINGER**  
"Lancaster Co.'s Only Dealer Specializing in Sales and Service"

RONKS, PA. 687-6712



## Three great reasons why a Big John Snowmobile is your best winter weather buy

1. **Dramatic new styling from the skis up.** John Deere introduces a bold new breed of Big John Snowmobiles for 1976 **Liquifire**, a liquid-cooled powerhouse, takes the heat off high-performance trailblazing And **Cyclone**, a fan-cooled machine, stirs up a storm with race-inspired styling. Both offer features to fire up any snowmobile enthusiast. *Front-mounted 440 or 340cc reed-valve engine, set low over the skis for superb handling Wide 32-inch ski stance and a longer "wheelbase" for positive tracking on hills and switchbacks CD ignition and surface-gap plugs for sure-fire starts Disk brakes for sure-footed stops*
2. **Parts and Service.** Computerized parts location system backed by a crew of experienced mechanics. We service everything we sell
3. **Exclusive Trail Hazard Track Replacement Policy.** When you buy a John Deere Snowmobile, the track is covered by a limited warranty and by a policy that covers areas the limited warranty doesn't See us now for complete details



**LANDIS BROS. INC.**  
Lancaster 393-3906

**COLLINS MOTORS**

RD1 Elizabethtown  
Phone 367-1856

**ADAMSTOWN EQUIPMENT INC.**

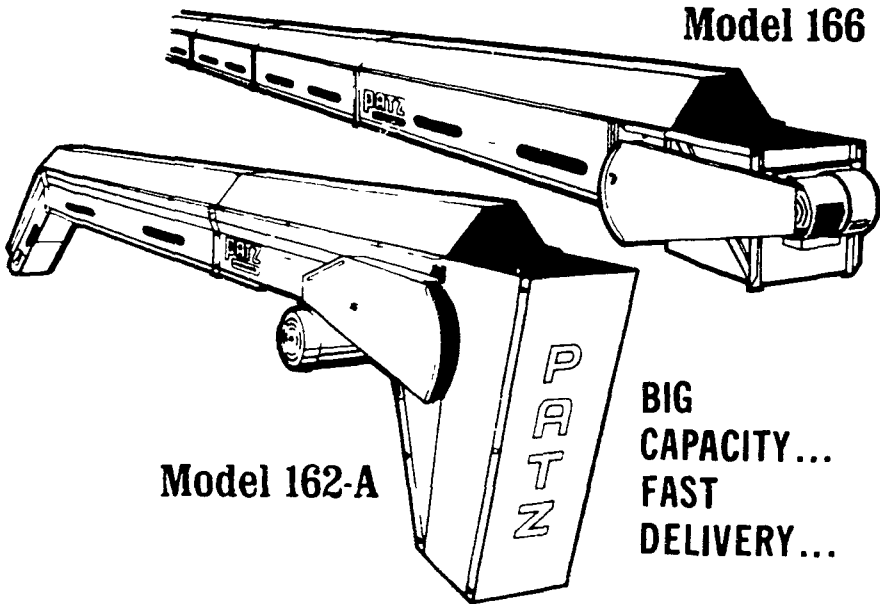
Mohnton, RD2, Pa 19540  
[near Adamstown]  
Phone [215] 484-4391

**A. B. C. GROFF, INC.**  
New Holland 354-4191

**GOODMAN'S AUTO SERVICE**

Honey Brook, PA  
[215] 273-2356

# PATZ CONVEYORS



Model 166

Model 162-A

**BIG CAPACITY... FAST DELIVERY...**

Built rugged for efficient, high-volume feed handling. Economical chain-and-flite action moves feed smoothly without sifting or separating.

See your PATZ Dealer today

<b>BALLY</b>	LONGACRE ELECTRIC 845 2261	<b>MCALLISTERVILLE</b>	CLAIR SANER & SON 463-2234
<b>CAMP HILL</b>	LLOYD SULTZBAUGH 737 4554	<b>MILLERSBURG</b>	LEO LANDIS 692-4647
<b>ELLIOTTSBURG</b>	CARL BAER 582 2648	<b>MILTON</b>	LANDIS FARMSTEAD AUTOMATION 437 2375
<b>HAMBURG</b>	H DANIEL WENGER 488 6574	<b>NEWVILLE</b>	FRED B MCGILLURAY 776 7312
<b>HONEY BROOK</b>	ZOOK'S FARM STORE 273-9730	<b>PIPERSVILLE</b>	JOSEPH MOYER 776-8675
<b>KIRKWOOD</b>	LANDIS & ESBENSHADE 786-4158	<b>STREET MD</b>	WALTER WEBSTER 452-8521
<b>LEBANON</b>	MARVIN HORST 272-0871	<b>THOMASVILLE</b>	KENNETH L SPAHR 225-1064