

classified ads

PHONE 717-394-3047 or 717-626-2191

LOCAL CLASSIFIED ADVERTISING RATES

Use This Handy Chart To Figure Your Cost

| Words | [1] Issue | [3] Issues |
|------------|-----------|------------|
| 14 or Less | \$1.40 | \$3.36 |
| 15 | 1.50 | 3.60 |
| 16 | 1.60 | 3.84 |
| 17 | 1.70 | 4.08 |
| 18 | 1.80 | 4.32 |
| 19 | 1.90 | 4.56 |
| 20 | 2.00 | 4.80 |

KEYED ADS (Ads with answer coming to a Box Number c/o Lancaster Farming) 50 cents additional

Ads running 3 or more consecutive times with no change billed at 20 percent discount

Deadline Thursday of each week's publication
Lancaster Farming
P O Box 266
Lititz PA
Phone Lancaster 394 3047
or Lititz 626 2191

Trucks

For Sale - 18' Flatbed 1959 International truck. Good condition, dependable. Must sell. PH:215-942-3450, eve. 215-273-2837.

1969 Chevy 1/2 ton pickup, utility body, new inspection, good condition. \$600. 717-684-6828.

Try A Classified Ad It Pays!

Lawn and Garden

USED LAWN & GARDEN EQUIPMENT

Bolens 12 HP Hydraulic Mower & Thrower \$895
GE Electric E-8 34' Mower \$400

KERMIT K. KISTLER

Lynnport, Pa.
(215) 298-3270

FERTILIZER

Are you tired of paying \$150 to \$200 or more per ton for fertilizer? Try dry poultry manure fresh from the broiler houses. Delivered and dumped on your farm in 8 to 16 ton loads within 50 miles of Lancaster. You can buy 8 to 100 tons. Next delivery in Oct-Nov. \$25.00 per ton delivered. Write Box 27, Strasburg, Pa. 17579.

Legal Notices

LEGAL NOTICE SEALED BIDS OR PROPOSALS WILL BE RECEIVED BY THE BOARD OF SCHOOL DIRECTORS OF THE CONEWAGO VALLEY SCHOOL DISTRICT AT THE OFFICE OF THE BOARD SECRETARY, 11 COMMERCE STREET, NEW OXFORD, PA. 17350 UNTIL 4:00 P.M. E.S.T. WEDNESDAY, NOVEMBER 5, 1975 FOR THE PURCHASE OF THE BARN AND HOGSHED LOCATED 500 FEET EAST OF THE SITE OF THE NEW OXFORD JUNIOR HIGH SCHOOL, WHICH IS CURRENTLY UNDER CONSTRUCTION. SAID BARN AND HOGSHED BEING THE BUILDINGS ON THE FARMSTEAD OF THE FORMER CARBAUGH FARM.
James R. Berwager
Secretary
Conewago Valley School District
New Oxford, Pa. 17350

TRY A CLASSIFIED

Wants To Buy

Old range cook stove. Also, Wooden wheels. Elmer S. Kauffman, Sr., Box 87, Atglen, Pa. 19310. Call 215-593-5754.

CORN - CUSTOM DRYING - In and Out Basis. James H. DeLong, Inc. phone 215-395-2036.

Pets

AKC Miniature Schnauzer puppies, \$110 for males, \$115 for females before cropping ears. Have puppy shots. Will be ready to go Nov. 8. 215-445-6175

2 Apricot male small toys. Blue Merle Shelties male and female 3 sable and white male collies 2 black male Cocker Spaniels with white bibs pets only \$50. 2 small white male poodles \$100 each. 2 small black female poodles. \$150
RAINBOW KENNELS
663 Old Baltimore Pike
Newark, Del.
1-302-737-6526

TRY A CLASSIFIED AD!

NELSON WEAVER & SON

Box 152-R2 Lititz, PA

Corn Storage Available

Custom corn drying. Also buyer of new corn & soybeans.

49% SOYBEAN MEAL

BULK or BAGGED
PHONE 717-626-8538

Wants To Rent

Dairy Farm, 60 to 100 cows, 150 to 300 acres for spring of 1976. References available. Call 717-665-6636.

Farm land in Lancaster County. Minimum 50 acres, 2 years lease minimum. Will pay up to \$50 per acre for good tillable land. Call 717-684-2755 or Write Box 148, Columbia, Pa. 17512.

Help Wanted

Experienced herdsman needed, must be good milker. Fully experienced. Good salary, home, utilities provided. Henry Muehlbauer, Pittstown, N.J. Call 201-735-8200 Day and 735-5092 Eve. after 8 p.m.

Dealers and Sales Representatives wanted in your local area for proven line of liquid fertilizer and seed corn. Protected sales territory. Write of Call Hoffman Hi-Score Products, Inc., 111 West Newport Rd., Lititz, Pa. 17543. Phone 717-626-8909.

Someone to manage small dairy operation. Room for expansion. Share basis. Write Box 266T, c/o Lancaster Farming, Lititz, PA 17543

Attention!! Want opportunity to earn extra money on a part time or full time basis. For information call 717-662-3971 or write P. O. Box 151, Delta, PA 17314. All replies confidential.

Help Wanted

Wanted - Full-time person for Dairy farm. Field & Maintenance work. Experience & references required. Call 215-944-7681.

HELP WANTED: Good old reputable company needs a sales person with the following philosophy: Ability plus Ambition plus Energy plus Good Personal Management equals Success. Managing and selling retail dealers in wholesale farm equipment is the project. Compensation can be excellent if you are willing to work. Write P.O. Box 2660, co-Lancaster Farming, Lititz, Pa. 17543.

Wanted - Work-in Farm Manager. Must be fully experienced to work with new breed of beef animals. Very Excellent opportunity for right person. Call 609-896-0336.

Dairy Equipment

Milking Equipment: Kesco dumping station, completely automatic washer. Four large Surge units with electric pulsators. Model 50 Surge rotary vacuum pump, completely rebuilt. 400 gallon Majonnier milk tank and compressor. Surge electra brain. Call 717-244-5012.

Dairy Equipment

For Sale - Surge Alamo 30 vacuum pump like new, also Gandy applicator used very little. Apply to David L. Zook, Christiana RD1, Pa. (Bartville Rd.)

Jugging Plant Equipment for sale: Girton bottle and case washer, automatic. 3 or 400 gallon Homogenizer. 1/2 gal. automatic bottle filler and capper. 10 foot wash up tank. 2 holding tanks, 150 & 200 gallons. Stainless steel plate cooler. Compressors; 3 hp. Brunner water-cooled.

5 hp. Brunner belt-driven, 2 hp. belt-driven air-cooled 3 hp. air cooled Copelan 5 hp., 7 1/2, and 10 hp. Copelan air-cooled.

Priced for quick sale. Must be moved. Call LeRoy Hoover - 215-286-5230. Will sell by the piece or entire lot.

GARBER OIL CO.



Fuel Chief HEATING OIL

& OIL HEATING EQUIPMENT

AIR CONDITIONING

MOUNT JOY, PA

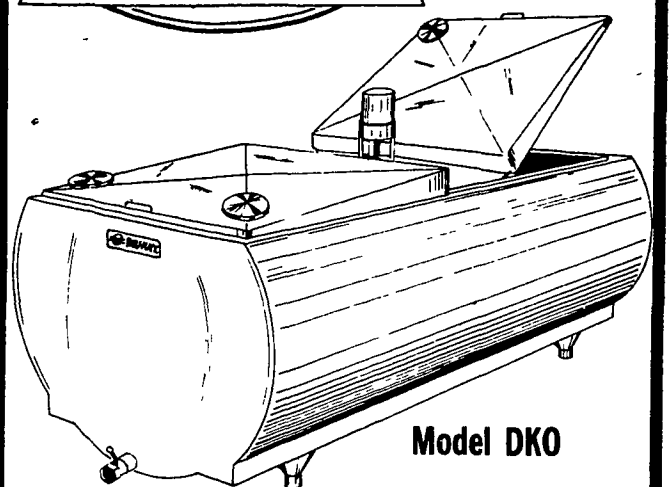
Ph. 653-1821

NOVEMBER SPECIAL ON REFRIGERATION SERVICE

Have your refrigeration system checked before the cold weather sets in.

Belts, compressors, contactors, motors, Freon, etc.

No Mileage Charges on Service Calls Thru November Special



Model DKO

Ask Mr. Farmer who owns a model DKO. It Cannot Be Beat for cooling milk.

USED BULK MILK TANKS

| | |
|-------------------|-------------------|
| 800-Gal. Mojonier | 440-Gal. Girton |
| 425-Gal. Esco | 300-Gal. Mojonier |
| 400-Gal. Jamesway | 400-Gal. Wilson |
| 400-Gal. Mueller | |

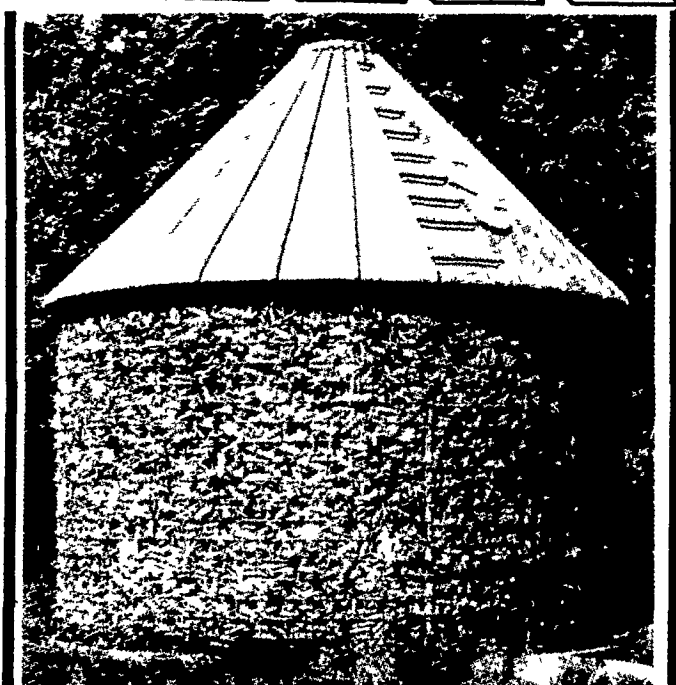
COMPLETE PROGRAM
SALES - INSTALLATION - SERVICE
24-HOUR SERVICE OFFERED

All Service Work Guaranteed

SHENK'S FARM SERVICE

501 E. Woods Drive, Lititz, Pa.
626-1151 or 626-5996
or Answering Service
717-733-1224

AGWAY



There's an AGWAY Corn Crib to Fit Your Exact Needs.

961 bu. \$575. 1205 bu. \$625.

SUPPLY CENTER

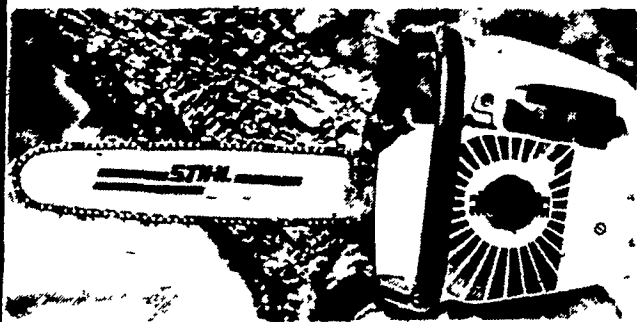
BEHLEN

1027 Dillerville Rd.
Lancaster, Pa
717-397-4761
Open Friday Eve. til 8 p.m.
Mon. thru Thurs. 8 to 5
Sat. 8 to Noon

5th Street Highway
Temple, PA
215-929-5794
Open Mon. thru Fri. 8 to 5
Sat. 8 to Noon

The World's Leader in CHAIN SAWS

MODELS FROM 2 to 16 H.P.



FEATURING:

- Anti-Vibration Systems
- Automatic Oiling on All Models
- 40 Years Experience in Design and Production

John L. Stauffer
REPAIR SERVICE

R D 2, East Earl, PA
Phone 215-445-6175
1/4 MILE NORTH OF GOODVILLE
ON UNION GROVE ROAD

DAVE'S ENGINE SERVICE

In Rear of Stauffer's Machine Shop
1/4 Mile South of Murrell
on Pleasant Valley Road
R.D.3, Ephrata, PA