

Salvage ban imposed on goat disease

BERK'S COUNTY DHIA

(Continued from Page 59)

Junge Farms					
Ginger	H	7-2	240	14,096	642
Blacky	H	6-8	270	22,496	683
BRB Farm					
Rosie	H	7-2	305	16,771	679
Joan	H	5-11	305	18,281	677
Marcie	H	6-3	247	14,861	575
Paul E. Labe					
73	H	4-3	255	18,825	716
33	H	5-11	305	15,458	573
8	H	6-1	284	18,166	599
55	H	4-1	201	15,303	633
Raymond B. Nolt					
1	H	6-7	305	20,258	693
23	H	6-5	305	17,886	643
27	H	7-1	305	16,466	587
32	H	5-3	305	13,637	571
35	H	5-2	290	13,666	625
Blue Mtn. Academy					
227	H	4	294	12,520	564
228	H	4-1	261	13,159	562
Clarence C. Sattazahn					
Barba35	H	8-2	305	14,481	602
Midge33	H	7-4	305	17,867	703
Marle29	H	3-10	305	17,666	586
78	H	6	305	14,201	572
96	H	6-1	305	17,961	623
Pearl42	H	5-7	305	14,839	567
Vivan81	H	2-1	305	15,980	574
Slee107	H	3-1	305	13,568	587
George S. Troutman Jr.					
Gail	H	7	305	20,132	710
Lucy	H	5-8	305	15,545	562
Lassie	H	8-11	305	20,557	705
Lucinda	H	2-6	305	16,085	598
Toni	H	2-8	305	16,552	607
Yost Brothers					
53	H	4-3	281	15,076	597
Teen Chal Farm					
124	H	6-2	305	16,398	603
141	H	4-9	305	17,406	671
70	H	3-1	305	15,834	667

NEW YORK - Sheep and goats that have been exposed to scrapie - a disease of the nervous system - can no longer be slaughtered for human food, the U.S. Department of Agriculture (USDA) announced.

The action was taken as a precautionary measure by USDA's Animal and Plant Health Inspection Service (APHIS), pending further research on whether this disease can be transmitted naturally to other animals or man.

In addition, APHIS officials announced that the conditions under which federal indemnities can be paid to livestock owners for their losses from this disease - as well as the rates for such payments - were being broadened.

"There is no evidence to date that scrapie can be transmitted to humans who come in contact with either infected or exposed animals, or who eat meat from such animals," Dr. Mulhern stressed. "However, since these laboratory experiments, showing that sub-human primates are susceptible, raise some questions in our minds relative to the immunity of humans, we believe the safest course is to ban for human food any salvage of meat from affected or ex-

posed animals, pending further research," he said. Scrapie is a virus disease occurring naturally in sheep and goats, that causes progressive degeneration of the animal's central nervous system.

It can be transmitted from one animal to another, and the virus can incubate in an affected animal up to 42 months - or even longer - before symptoms appear. These symptoms are itching, loss of coordination and a general decline in health - ending in death of the animal up to six months or longer after symptoms appear.

The disease was first discovered in the United States in 1947, and 207 flocks in some 31 states subsequently have been found infected. An eradication program was initiated by state and federal animal health officials in 1952,

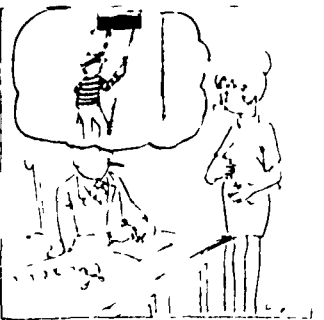
resulting in a gradual decrease in the number of cases from a high of 22 in 1956 to only two infected flocks so far this year one each in Illinois and West Virginia.

- Sheep and goats exposed to scrapie or directly related by bloodlines to infected animals may no longer be quarantined or maintained under surveillance; rather, they must be destroyed in such a manner as to prevent the meat from being used for human food.

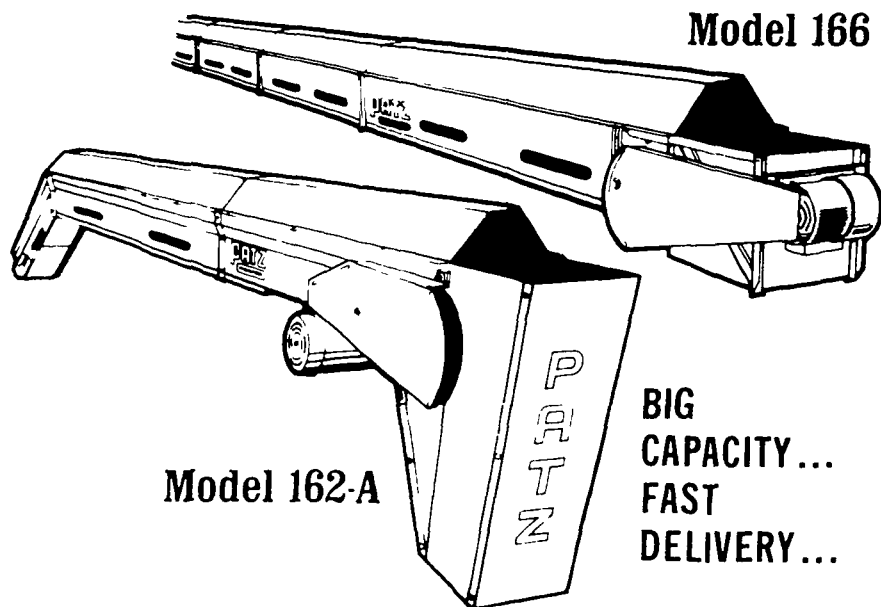
- Such animals will be appraised and owners indemnified for their losses up to the new rate of \$40 per head for grade animals and \$90 per head for pure-bred animals. Until the change, owners could recover some of their losses by sending exposed animals to

slaughter and be paid indemnities of a maximum of \$25 for grade animals and \$75 for purebred animals.

Instant Replay



PATZ CONVEYORS



Built rugged for efficient, high-volume feed handling. Economical chain-and-flite action moves feed smoothly without sifting or separating.

See your PATZ Dealer today

BALLY	LONGACRE ELECTRIC 845 2261	McALLISTERVILLE	CLAIR SANER & SON 463 2234
BEDFORD	BENCE FARM EQUIPMENT 623 8601	MILLERSBURG	LEO LANDIS 692 4647
CAMP HILL	LLOYD SULTZBAUGH 737 4554	MILTON	LANDIS FARMSTEAD AUTOMATION 437 2375
ELLIOTTSBURG	CARL BAER 582 2648	NEVILLE	FRED B. MCGILLURAY 776 7312
HAMBURG	H. DANIEL WENGER 488 6574	PIPERSVILLE	JOSEPH MOYER 776 8675
HONEY BROOK	ZOOK'S FARM STORE 273-9730	STREET MD	WALTER WEBSTER 452 8521
KIRKWOOD	LANDIS & ESBENSHADE 786 4158	THOMASVILLE	KENNETH L. SPAHR 225 1064
LEBANON	MARVIN HORST 272 0871		

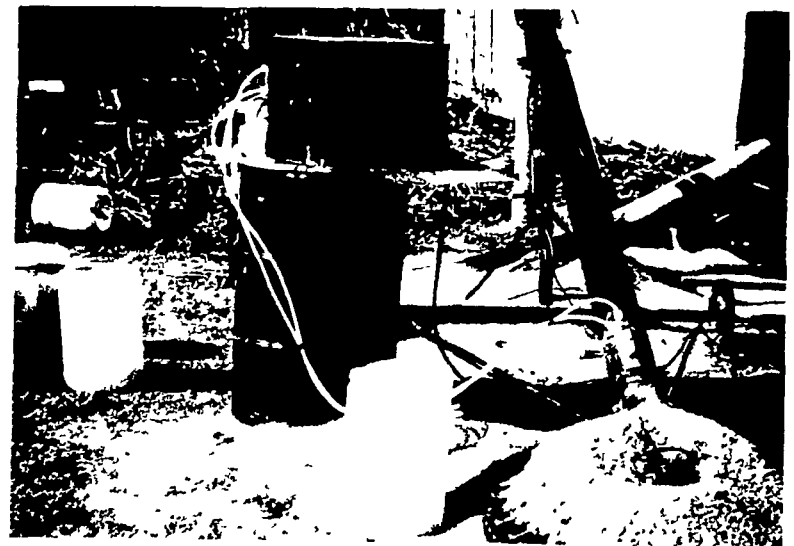
BEACON FEEDS

GRAIN PRE-SERV*

(LIQUID)

PROTECT ALL YOU RAISE—EASY TO USE

When others stop for drying, or must sell at harvest, you'll continue to harvest and have flexibility in marketing for feed or food.



Advantages of Grain Pre-Serv

- Use on food or feed grains
- Reduce dry matter loss
- No mold activity
- Preserve full feeding value
- No heating
- Reduce field loss
- Utilize present storage
- Flexibility in marketing
- Broad-spectrum inhibition
- Combines three acids

Disadvantages of Drying

- + Investment
- + Depreciation and repairs
- + Fuel and electricity
- + Extra labor
- + Transportation
- + Shrinkage

Disadvantages of Other Preservatives

- + Can only be used on feed grains
- + Large volume required per ton
- + Complex equipment
- + Narrow spectrum inhibition
- + Only one or two acids utilized

* TRADEMARK KEMIN INDUSTRIES INC.

CLARK DAIRY SUPPLY
Rising Sun Md

H. M. STAUFFER & SONS, INC.
Wilmer PA

NEW FREEDOM FARM & GARDEN CO.
New Freedom PA

W. L. MUMMERT CO.
Hanover PA

THARPE & GREEN MILL
Churchville MD

VAN-MAR FEEDS
Leesport PA

H. JACOB HOOBER
Intercourse PA

GEORGE UNDERWOOD
Northeast Md

EARL SAUDER, INC.
New Holland PA

MCCRACKEN'S FEED MILL, INC.
Manheim PA

R. E. RUDISILL
Phone 717 854 2281

BEACON REPS
RICHARD B. KENDIG
Phone 302 478 3058

CHESTER WEIST
Phone 717 741 2600

BEACON FEEDS

Beacon Feeds York PA Phone 717 843 9033