



Champions in the junior division of the Holstein breed shows were Donna Akers, with a junior yearling which placed first in its class and went all the way to grand champion; and the animal held by her brother, Gary, which was first in the senior calf division and reserve champion. Gary's animal belongs to another sister, Linda, who happened to be in school at the time.

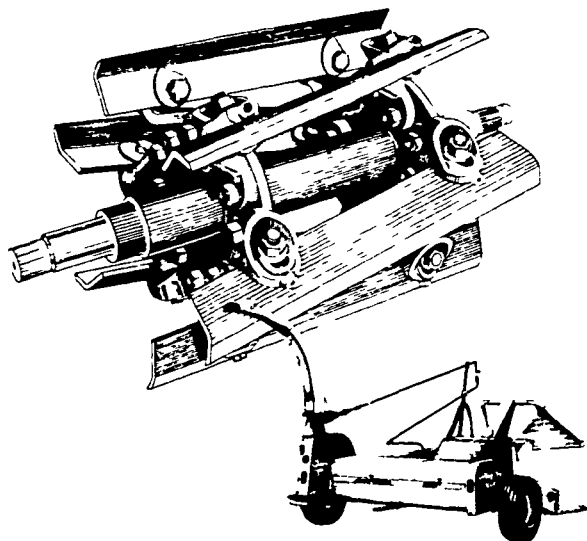


Sheep were a new entry at the Solanco Fair this year, and small children quickly took notice. Michele Black, daughter of Mr. and Mrs. Robert Black, Quarryville, and Danny

Duane, (in the stroller) son of Mr. and Mrs. Daniel Duane, Quarryville, reached for the wool with considerable interest.

Solanco Fair

**Exclusive
J-knife cutterhead
gives the 3800
Forage Harvester
the cutting edge**



Built to match the bigger horsepower of today's tractors . . . that's the heavy-duty John Deere 3800.

J-knives propel chopped material out of the cutterhead like a paddle wheel . . . faster than conventional knives. Result: Greater chopping efficiency.

These exclusive J-knives are like those on John Deere Self-Propelled Harvesters. So is the slip-clutch-protected feed-roll drive and numerous other components.

The 3800 has heavier drives to and from the gearcase, greater frame strength, and larger fan shaft and bearings (oil-enclosed drive) than other John Deere Pull-Types.

Stop in soon for details on the 3800 and practical JDFP financing.

Landis Bros. Inc.
Lancaster 717-393-3906

A.B.C. Groff, Inc.
New Holland 717-354-4191

**Adamstown
Equipment Inc.**
Mohnton RD2, Pa 19540
[near Adamstown]
215 484 4391

**Pikeville
Equipment Inc.**
Oyster Dale Road
Oley RD#2, PA
215 987 6277

**M. S. Yearsley
& Sons**
West Chester 215 696 2990

Neuhaus'es, Inc.
Glen Rock Pa
717 235 1306

Agway, Inc.
Allentown Equipment Center
Chapman, Pa
215-395-3381

Stanley A. Klopp, Inc.
Bernville Pa
215 488 1510

I. G.'s Ag.Sales
Silverdale, Pa 18962
215-257-5136



THE EFFICIENCY FACTOR helps you get hogs to market weeks earlier

In tests comparing the performance of pigs fed AUREO S. P. 250 with unmedicated pigs, those fed AUREO S. P. 250 showed 31% faster daily gains and 10% better feed efficiency.

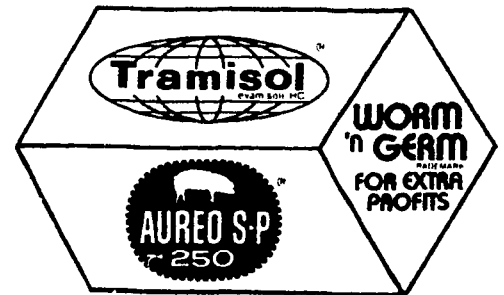
With gains like this, pigs started on AUREO S. P. 250 at 15 pounds would reach 75 pounds three weeks before those not receiving any feed additive

But fast gains are only part of the story. Besides improving rate of growth and feed efficiency, AUREO S. P. 250 helps control bacterial scours, reduces the incidence of cervical abscesses and maintains weight gains in the presence of atrophic rhinitis. In

addition, it aids in preventing these diseases during time of stress

And, you can improve your pigs' efficiency still further by use of TRAMISOL dewormer. TRAMISOL is the only wormer that controls lungworms as well as round worms and nodular worms.

For complete details contact any of the feed manufacturers listed below, or call or write The Fox Company.



© American Cyanamid Company 1973

BEACON MILLING COMPANY, INC.
York, Pa.

EARL SAUDER, INC.
New Holland, Pa

STEVENS FEED MILL, INC.
Stevens, Pa

Available at your local
Beacon Feed Dealer

GEHMAN FEED MILL INC.
Denver, Pa

GRUBB SUPPLY CO.
Elizabethtown, Pa

THE FOX CO.
NEWFIELD, N.J. 08344
Phone 609/692-4400

Distributors of American Cyanamid Animal Health & Feed Products
BROADWAY, VA. • SELBYVILLE, DEL. • LEWISBURG, OHIO • VESTAL, N. Y. • LITITZ, PA.