

Solanco Fair Starts Wednesday

QUARRYVILLE - until 7:30 p.m. that day. Exhibitors will be moving into their display areas this coming Tuesday in preparation for the Solanco Fair, which gets underway on Wednesday. Although livestock judging is scheduled to take place Wednesday morning, the Fair isn't "officially open"

New buildings and more exhibitors than ever before are expected to add to the excitement. Ken Rutt, general manager of the Southern Lancaster County Fair Association, told Lancaster Farming that this year's event includes 149

dairy cows, 40 steers, 25 hogs, and a brand new entry - sheep. More than 70 head have been registered for the show so far.

In addition, over an acre of outdoor exhibit space has been assigned. Those 52,000 square feet of space, along with 7,000 square feet under the tent, will allow for plenty of browsing by visitors.

The new buildings constructed this summer, funded in part by donations, will be officially opened tomorrow afternoon at special "Open House" ceremonies. See a separate item concerning that event elsewhere within these Solanco Fair Preview pages.

Rutt noted that all grading, mowing and cleaning up around the new buildings is complete and things are ready to go.

Listed below are some of the major activities scheduled for the 1975 Solanco Fair, held annually at the Legion Park, near the Southeastern edge of town along route 472.

HIGHLIGHTS OF THE FAIR WEDNESDAY, SEPTEMBER 17

- 11:00 a.m. - Judging Dairy Cattle
- 12:00 noon - Various other Judging
- 6:30 p.m. - Baby Parade (in case of rain Friday at 10:00 a.m.)
- 7:30 p.m. - Formal opening of the Fair
- 8:00 p.m. - Log Sawing Contest

THURSDAY, SEPTEMBER 18

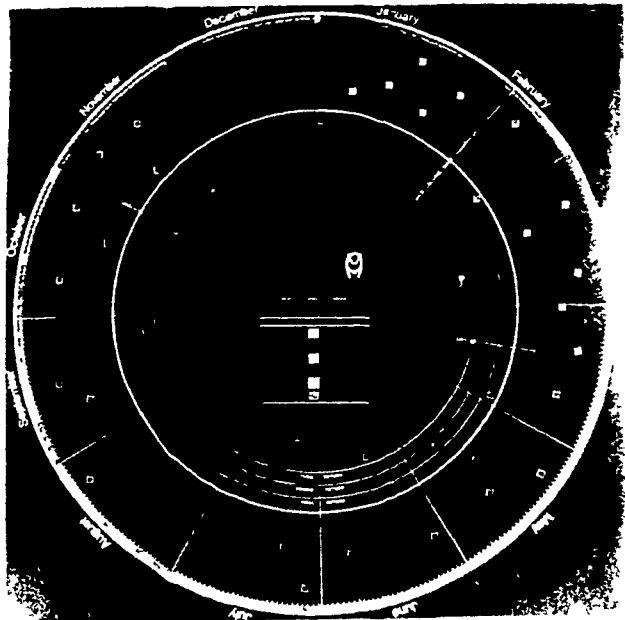
- 10:00 a.m. - Lancaster County FFA Judging Contest
- 10:00 a.m. - County-Wide Tractor Driving Contest 4-H, FFA and Open Class
- 11:00 a.m. - Judging Dairy Cattle
- 12:01 p.m. - FFA Tug of War
- 2:00 p.m. - Judging Sheep
- 3:00 p.m. - Judging Swine
- 6:30 p.m. - Judging Baby Beef
- 7:00 p.m. - Trail Bike Obstacle Course, Tug of War

FRIDAY, SEPTEMBER 19

- 2:00 p.m. - Market Hog and Baby Beef Sale
- 2:30 p.m. - Solanco FFA Chapter sale of project steers
- 6:30 p.m. - Parade
- 8:15 p.m. - Amateur Talent

SEE US AT THE QUARRYVILLE FAIR SEPT. 17-19

(Located in Ryder Supply Exhibit)



Bray MAGNETIC CATTLE BREEDING CALENDAR
Reg. Price 75 COW HERD \$115.00
Reg. Price 150 COW HERD \$125.00

\$15.00 DISCOUNT ON CALENDARS PURCHASED DURING FAIR WEEK.

Look for us in Ryder Supply Exhibit

On Display - Weaverline Silage Cart
We also are Dealer for Air-O-Matic Fans

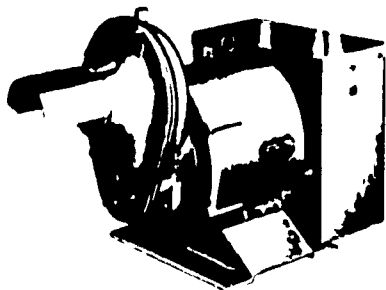
EDGEFIELD FARMS

AMOS RUTT (717) 786-3897
KEN RUTT (717) 786-3591
Rt. 472 & Edgefield Rd.
Quarryville, PA 17566

WINPOWER

TRACTOR DRIVEN ALTERNATORS

NO COMMUTATOR or DC BRUSHES TO CREATE SERVICE PROBLEMS



INSIST on a WINPOWER DEMONSTRATION at YOUR Farm Before You Buy ANY Tractor Driven Alternator

SEE ON DISPLAY AT QUARRYVILLE FAIR SEPT. 17-19, NEXT TO ZERO MILK TANK EXHIBIT

DISTRIBUTED BY

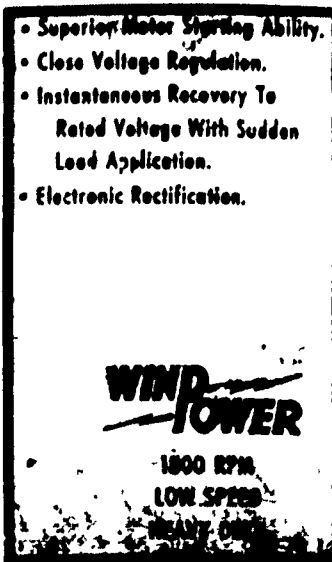
MARVIN J. HORST

R.D.1 (Iona

Lebanon, Pa.

Phone 717-272-0871

Located on Rt 897 Between Schaefferstown & Lebanon
Over 30 years in business at same place.



- Superior Motor Starting Ability.
- Close Voltage Regulation.
- Instantaneous Recovery To Rated Voltage With Sudden Load Application.
- Electronic Rectification.

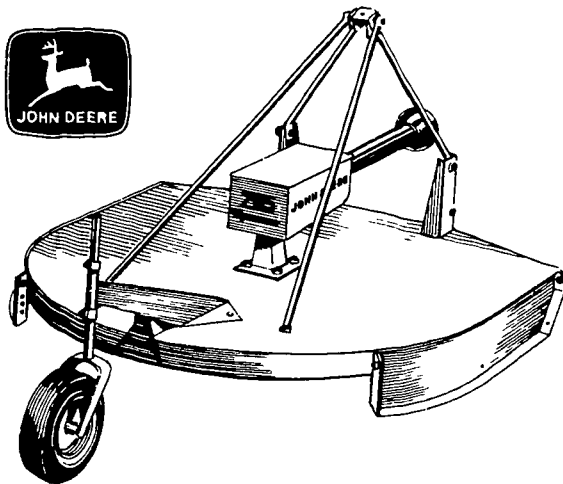
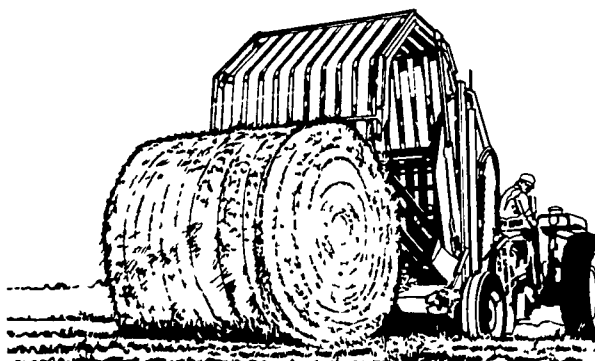
WINPOWER
1800 RPM
LOW SPEED

SEE US AT THE QUARRYVILLE FAIR SEPT. 17 THRU 19

Roundup Your Hay

First with a better way.

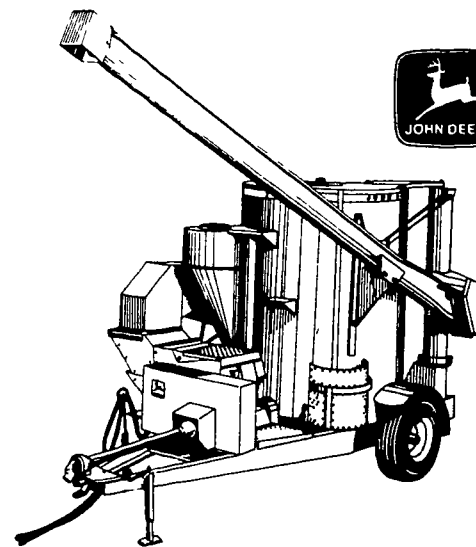
HESSTON FARM EQUIPMENT



205 "Special" Gyramor John Deere quality for the price of an ordinary rotary cutter



This giant-capacity forage harvester is built for self-propelled power



John Deere 750 Grinder-Mixer . . . big-capacity hay or grain grinder . . . thorough mixer

PLUS Much Much More

wenger

JOHN DEERE IMPLEMENTS



KELVINATOR APPLIANCES

ROUTE 272 SOUTH OF WILLOW STREET AT THE BUCK 717-284-4141