

**Farm Equipment**

**For Sale**

**New Fuel Tanks and Pumps**

Electric or Hand Operated  
275 gal. Fuel Oil  
300 gal. Skids  
550-1000 gal. Underground.

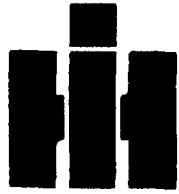
Call for Information

**AGWAY PETROLEUM CORP.**

Box 1197, Dillerville Rd.  
Lancaster, PA  
Phone 397-4954

For Sale - Used J.D. 4430 Tractor with sound gard body and air.

CLUGSTON IMP. INC.  
RD1 Chambersburg, Pa.  
717-263-4103



3200 Loader Tractor (New) No. 40 Table Blower Special Price  
New Farmall 1066  
170 Hydrostatic  
574 Diesel w-Loader  
510 4-B 16" Plow  
Farmall Cub Tractor  
LAMB'S FARM MACHINERY  
Thorndale, PA  
Phone 215-269-2676

**Farm Equipment**

For Sale - Massey Ferguson 3 pt. hookup mower, excellent cond., 7 ft. bar. Call 215-288-8343

Large inventory of used small engine and chain saw parts - Briggs & Stratton, Power Products, McCullough Saw and Cart Engines, Kohler, Tecumseh and Clinton. Phone 215-445-6175

**DISTRIBUTOR FOR**



7 1/2 to 65 HP Air Cooled. Can be mounted on various pieces of equipment. Also Good used Diesel Engines.

Call  
Horning's Warehouse  
717-354 7792

If no answer call  
717 354 4374

**DIESEL & GAS SALES & SERVICE SMUCKER'S ENGINE SHOP**

RD1, Gordonville, Pa  
17529

**Farm Equipment**

**Bulk anti-freeze in your container.**

Call for further information.

**AGWAY PETROLEUM CORP.**

BOX 1197, DILLERVILLE ROAD  
LANCASTER, PA  
PHONE 397-4954

M.M. HD-800 Power Unit w-clutch 174 H.P. LP Gas \$2000.

Slanzi DVA - 1500 Diesel Engine w-Auto. Clutch. 384 Leyland 62 H.P., very good cond., \$4500.

Used D6006 Deutz Tractor, A-OK \$5600.  
STAUFFER DIESEL INC.

312 W. Main Street  
New Holland, PA  
Phone 717-354-4181

**Dairy Equipment**

300 gal. Girton milk tank, good condition.

300 gal. Jamesway w-compressor, good cond  
440 gal. Escro tank, good cond.

500 gal. Escro, for diesel operation, 12 volt, island mounts, good cond.

Star 12-Can open front milk cooler, good cond.

CLARK ELECTRIC  
RD1, Kinzer, PA  
Phone  
Intercourse 768-8228

1500 gallon Girton 1966, all stainless \$5500.00  
500 gallon Unico, all stainless \$1000.00

Sputnik milk porter, new pump \$350.

Telrose 500 Bobcat manure loader \$3175.00

Will trade and finance.

CURRY SUPPLY  
Curryville, PA  
814-793-2829

Used DeLaval Pail Milkers w-visa claw  
Used Surge Pail Milkers  
Used 400 Gal. Sunset Tank w-compressor



Supply Center  
1027 Dillerville Road  
Lancaster, Pa.  
Ph: 397-4761

**Dairy Equipment**

(1) 400 gallon Sunset bulk tank with 3 HP compressor

(1) 400 gallon Escro with compressor

(1) Sputnik for vacuum tank

(1) Sputnik with compressor

(4) DeLaval units, magnetic pulsation

(3) Surge pail units, electric pulsation

(1) Surge Alamo 40 vacuum pump

(2) DeLaval 75 vacuum pumps.



**SUPPLY CENTER**

1027 Dillerville Road  
Lancaster, PA  
Phone: 397-4761

**EPTAM FOR ALFALFA**

AVAILABLE IN GRANULES OR LIQUIDS  
APPLICATOR AVAILABLE TO APPLY BOTH TYPES

MATERIALS AVAILABLE FOR LEAFHOPPERS ON ALFALFA

CONTACT

**JONAS S. EBERSOLE**

1 1/2 MILES NORTH OF BIRD IN HAND ON STUMPTOWN ROAD  
BOX 461

**FARM JUGGERS & RETAILERS:**

Private Label Ice Cream Tailored to Individual Needs.

PERSONALIZED SERVICE SINCE 1928

**ELIZABETHTOWN CREAMERY, INC.**

519 South Market Street  
Elizabethtown PA 17022  
Phone (717) 367-1389

Private label ice cream & IC mix our specialty!

**SPERRY NEW HOLLAND**

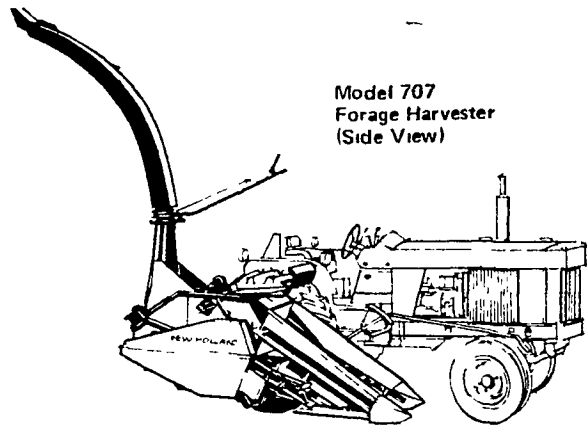
**ALLIS-CHALMERS**

**BUILT FOR THE BIG CROP!**

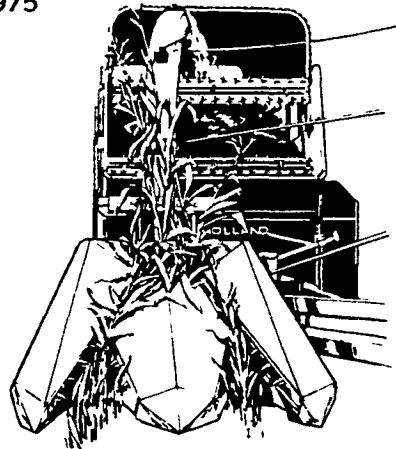
WE ARE PREPARED TO HANDLE THE BUMPER CORN CROP WITH EQUIPMENT ON STOCK READY TO GO.

We now have Free Finance on Balers & Haybines Till March 1, 1976

Also continue to have Free Finance on Grinder Mixers until October 1, Manure Spreaders until November 1, 1975



Model 707 Forage Harvester (Side View)



'SUPER 717' FORAGE HARVESTER (CORN HEAD)

**GOOD USED EQUIPMENT**

480 A.C. Hopper Blower  
78 N.H. Baler P.T.O.  
N.H. 275 Baler with Thrower  
[2] N.H. 68 Balers [1] w-Engine - [1] P.T.O.  
I.H. 46 Baler with Thrower P.T.O.  
I.H. 47 Baler w-Thrower  
I.H. 37 Baler with Engine  
I.H. 37 Baler with Thrower  
829 A.C. Mower Conditioner  
[3] 460 N.H. Haybines  
J.D. 480 Mower Conditioner  
N.H. 404 Conditioner  
N.H. 352 Grinder Mixer (Good Cond.)  
717 N.H. Harvester, 9 Knife with 1 Row Cornhead

780 A.C. Harvester with 2 Row Cornhead & Pickup Head  
I.H. 850 Harvester  
18 Ft. Brillion Transport Harrow  
A.C. Gleaner A Self Propelled Combine  
N.H. 33 Crop Chopper (as is cheap)  
A.C. Gram Drill  
Several N.H. and Starline Tank Spreaders  
Several Used P.T.O. and Ground Drive Spreaders  
Fast Hitch I.H. 2 Row Corn planter  
4 Row J.D. Cornplanter  
Sauder Loader with Manure Fork & Pan

**NOTICE**

We Will Close Tuesday, August 26  
12 Noon  
EMPLOYEES PICNIC

The Most Convenient Farm Hand Ride - Haul - Tow  
Farm Scat, used E-Z, Trailer (like new)

**MORIDGE GRAIN DRYERS**  
Available for Immediate Delivery

Sales Mgr.  
BOB GANTZ - HOME 653-5020  
OFFICE - 397-5179  
OR 687-6002

AUTHORIZED  
SPERRY NEW HOLLAND  
PARTS and SERVICE

**STARLINE SALES AND SERVICE PARTS AND EQUIPMENT**

**L. H. BRUBAKER, Inc.**

350 Strasburg Pike

Ph. 397-5179

Lancaster, Pa.



**Livestock For Sale**

**Livestock For Sale**

**WISCONSIN CANADIAN HOLSTEINS**

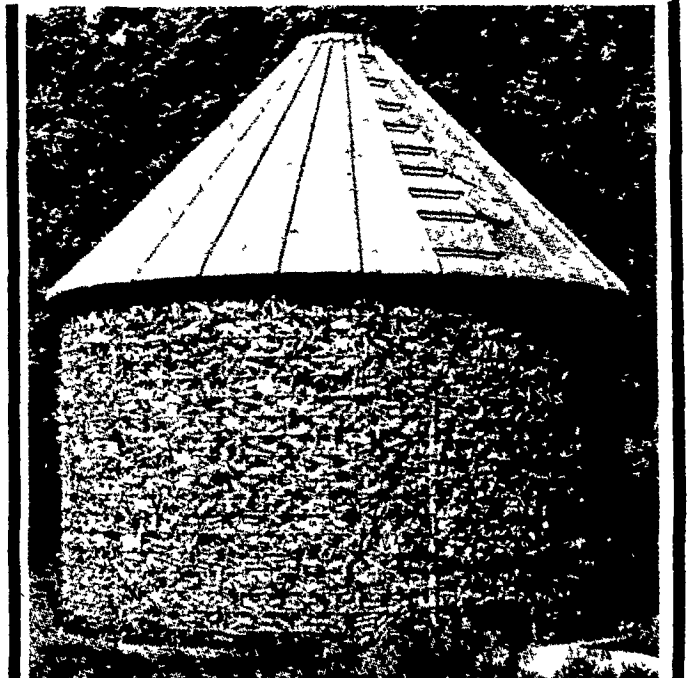
ANY DAIRY FARMER that reads this ad and wants to buy good productive cows, close up and fresh or springers we have the kind you want and will deliver them to your farm on order. Simply call us on the telephone and explain to us what you want and we will select the cows for you and arrange delivery in the next day or two. Cash or credit. Call us on the phone collect for further details.

**I. GREENBERG and SON**

Route 206 Mt. Holly, NJ 08060  
Phone 609-267-1101  
65 Years of Experience

No other cattle company can match this record.

**AGWAY**



There's an AGWAY Corn Crib to Fit Your Exact Needs.

961 bu. \$595.

1205 bu. \$645.

**SUPPLY CENTER**



1027 Dillerville Rd  
Lancaster Pa  
717-397-4761

Open Friday Eve. til 8 p.m.  
Mon. thru Thurs. 8 to 5  
Sat. 8 to Noon

5th Street Highway  
Temple, Pa  
215-929-5794

Open Mon. thru Fri. 8 to 5  
Sat. 8 to Noon